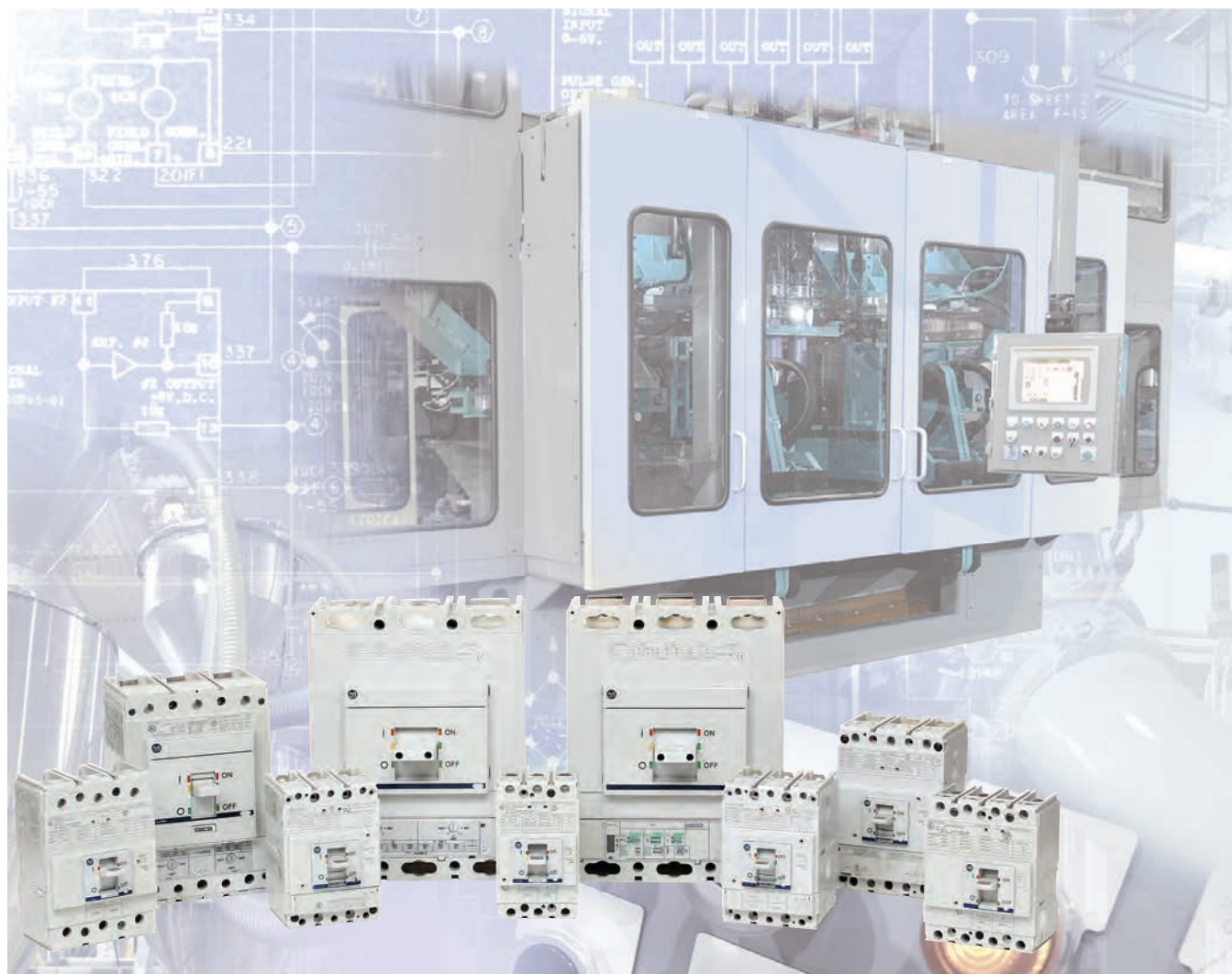


Molded Case Circuit Breakers

Bulletin 140G/140MG



LISTEN.
THINK.
SOLVE.



Cat. No. 140G-G6C3-D12

Bulletin 140G Molded Case Circuit Breakers

- 10..3000 A current range
- 3- & 4-pole devices
- Space-saving dimensions
- Thermal/Magnetic protection: 15..800 A
- Electronic protection: 10..3000 A
- Approved for global application: UL, CSA, CCC, and IEC performance interrupting/breaking capacity
- Wide range of mounting options
- Extensive range of factory- or field-installed accessories

The Bulletin 140G family of Molded Case Circuit Breakers (MCCBs) offers a wide range of features include thermal/magnetic and electronic protection devices, high interrupting/breaking capacities and a complete line of factory and field installed accessories. The Bulletin 140G MCCBs are ideal for use in line protection of control panels.

Table of Contents

Overview 3
 Product Selection 5
 Accessories 50
 Specifications 64
 Approximate Dimensions 68

Standards Compliance

IEC 60947-2
 UL489
 CSA22.2, No. 5

Certifications

CE Marked
 CCC
 CSA Certified
 UL Listed



G-Frame



H-Frame



I-Frame



J-Frame



K-Frame



M-Frame



N-, NS-Frame



R-Frame

Frame Reference	G-Frame	H-Frame	I-Frame	J-Frame	K-Frame	M-Frame	N-Frame	NS-Frame	R-Frame
Rated Current I_n	125 A	125 A	225 A	250 A	400 A	800 A	1200 A	1200 A	3000 A
No. of Poles	3, 4	3, 4	3, 4	3, 4	3, 4	3, 4	3, 4	3, 4	3, 4
Interrupting Rating [kA]									
240V	50 65 100	65 100 150 200 200	50 65	65 100 150 200	100 150 200 200	100 200 200	65 100 150	65 100 150	125
480V	25 35 65	25 35 65 100 150	25 35	25 35 65 100	35 65 100 150	50 65 100	50 65 100	50 65 100	125
600Y/347V	10 14 25	—	10 10	—	—	—	—	—	—
600V	—	14 18 25 35	10 10	14 18 25 35	25 35 65 100	25 35 42	25 50 65	25 50 65	100
Breaking Capacity [I_{cu} (kA)]									
220...240V	65 85 100	65 85 100 150 200	65 85	65 85 100 150	85 100 200 200	85 100 200	85 100 200	85 100 200	130
415V	36 50 70	36 50 70 120 150	36 50	36 50 70 120	50 70 120 200	36 70 100	50 70 120	50 70 120	80
440V	36 50 65	36 50 65 100 150	25 40	36 50 65 100	40 65 100 180	35 50 65	50 65 100	50 65 100	80
690V	6 8 10	10 12 15 18 20	5 8	10 12 15 20	25 40 70 80	22 25 30	30 42 50	30 42 50	40
250V DC	36 50 70	36 50 70 85 100	36 50	36 50 70 85	—	36 50 65	—	—	—
500V DC	36 50 70	36 50 70 85 100	36 50	36 50 70 85	36 50 70 100	—	—	—	—
750V DC	—	—	—	—	25 36 70 70	16 36 50	—	—	—
Protection Type									
Thermal Magnetic	✓	✓	✓	✓	✓	✓	—	—	—
Electronic	—	✓	—	✓	✓	✓	✓	✓	✓
Molded Case Switch	✓	✓	✓	✓	✓	✓	✓	✓	✓
Internal Accessories									
Auxiliary Contact	✓	✓	✓	✓	✓	✓	✓	✓	✓
Alarm Contact	✓	✓	✓	✓	✓	✓	✓	✓	✓
AX/AL Combo	✓	✓	✓	✓	✓	✓	✓	✓	✓
Trip Unit Contact	—	✓	—	✓	—	—	✓	✓	✓
Shunt Trip	✓	✓	✓	✓	✓	✓	✓	✓	✓
Shunt Close	—	—	—	—	—	—	✓	✓	✓
UV Relay	✓	✓	✓	✓	✓	✓	✓	✓	✓
Field Installable	✓	✓	✓	✓	✓	✓	✓	✓	✓
External Accessories									
End Cap	STD	STD	STD	STD	STD	STD	STD	STD	—
25 mm Phase Barriers	STD	STD	STD	STD	STD	—	—	—	—
Insulators	STD	STD	STD	STD	STD	STD	—	—	—
Terminal Lugs	✓	✓	✓	✓	✓	✓	✓	✓	✓
Extended Terminal	✓	✓	✓	✓	✓	✓	✓	✓	—
Spreader Terminal	✓	✓	✓	✓	✓	✓	✓	✓	✓
Rear Terminal	—	—	—	—	—	—	✓	✓	✓
Phase barriers	✓	✓	✓	✓	✓	✓	✓	✓	✓
Terminal Cover	✓	✓	✓	✓	✓	✓	✓	✓	—
Direct Rotary	✓	✓	✓	✓	✓	✓	✓	—	—
Variable Depth (Door)	✓	✓	✓	✓	✓	✓	✓	—	—
Internal NFPA 79	✓	✓	✓	✓	✓	✓	✓	—	—
Flange Operator	✓	✓	✓	✓	✓	✓	✓	—	—
Flange Cable	✓	✓	✓	✓	✓	✓	✓	—	—
Motor Operator	✓	✓	✓	✓	✓	✓	—	✓	✓
Field Installable	✓	✓	✓	✓	✓	✓	✓	✓	✓

Molded Case Circuit Breakers

Catalog Number Explanation — 125 A, G-Frame

Complete Circuit Breaker Assemblies with Factory-Installed Options

Examples given in this section are not intended to be used for product selection. Use ProposalWorks to configure the molded case circuit breaker. Use these configurations only to select all factory-installed options for shunt trips, undervoltage release units, auxiliary contacts, and alarm contacts. Use the codes from Table g to add on to the molded case circuit breaker cat. no. selected on the previous pages to form a complete cat. no. for a complete assembly with factory-installed options.



140G
- G
6
C
4
- C70
- SD
- KA

a
b
c
d
e
f
g

Cat. No. 140G-G6C3-D12

a

Bulletin No.	
Code	Description
140G	Global Molded Case Circuit Breaker

b

Frame/Rating	
Code	Description
G	125 A, Fixed

c

Interrupting Rating/Breaking Capacity (based on I_c at 480V)	
Code	Description
2	25 kA
3	35 kA
6	65 kA

d

Protection Type	
Code	Description
C	Fixed thermal/fixed magnetic
E	Adjust thermal/adjust magnetic
S	Molded case switch (Isolator)

e

Poles	
Code	Description
3	3 poles
4	4 poles

f

Current Range	
Code	Description
C	e.g., C30 = 30 A
D	e.g., D16 = 160 A

g

Factory-Installed Internal Options ♦	
Shunt Trip and Undervoltage Release Units	
Code	Description
SJ	Shunt Trip, 24...30V AC/DC
SK	Shunt Trip, 48...60V AC/DC
SD	Shunt Trip, 110...127V AC; 110...125V DC
SA	Shunt Trip, 220...240V AC; 220...250V DC
SB	Shunt Trip, 380...440V AC
SC	Shunt Trip, 480...525V DC
UJ	Undervoltage Release, 24...30V AC/DC
UR	Undervoltage Release, 48V AC/DC
UD	Undervoltage Release, 110...127V AC; 110...125V DC
UA	Undervoltage Release, 220...240V AC; 220...250V DC
UB	Undervoltage Release, 380...440V AC
UC	Undervoltage Release, 480...525V AC
No Digit	No Selection
Auxiliary and Alarm Contacts	
Code	Description
KA	1 Aux. Contact, 250V
TA	1 Alarm Contact, 250V
AA	1 Aux., 1 Alarm Contact, 250V
BA	2 Aux., 1 Alarm Contact, 250V
AJ	1 Aux., 1 Alarm Contact, 24V

♦ Select up to two internal options: 1 for left side mounting (shunt trip or undervoltage release), 1 for right (auxiliary or alarm contact). Consult your local Rockwell automation sales office or Allen-Bradley distributor for further assistance.

Assembled Molded Case Circuit Breakers — 125 A, G-Frame



Interrupting Rating/Breaking Capacity — Thermal-Magnetic Circuit Breakers

Interrupting Rating (50/60 Hz), UL 489/CSA C22.2-5, No. 5-02 [kA]			Breaking Capacity (50/60 Hz), IEC 60947-2 I_{cu} [kA]/ I_{cs} %								Breaking Capacity (DC), IEC 60947-2				Interrupting Code‡
240V	480V	600V/ 347V	220V★		415V		440V★		690V		250V DC (2- pole in series)		500V DC (3- pole in series)		
			I_{cu} [kA]	I_{cs} [% I_{cu}]	I_{cu} [kA]	I_{cs} [% I_{cu}]	I_{cu} [kA]	I_{cs} [% I_{cu}]	I_{cu} [kA]	I_{cs} [% I_{cu}]	I_{cu} [kA]	I_{cs} [% I_{cu}]	I_{cu} [kA]	I_{cs} [% I_{cu}]	
50	25	10	65	75	36	100	36	50	6	75	36	100	36	100	G2
65	35	14	85	75	50	75	50	50	8	50	50	100	50	100	G3
100	65	25	100	75	70	50	65	50	10	50	70	75	70	75	G6

★ These ratings have not been tested for the CCC listing.

‡ See table below for Cat. No. selection

Thermal-Magnetic, Fixed Thermal-Fixed Magnetic

Rated Current I_n [A]	Thermal Trip [A] $I_r = I_n$ (Fixed)	Magnetic Trip [A] I_m	Interrupting Code G2		Interrupting Code G3		Interrupting Code G6	
			Cat. No.		Cat. No.		Cat. No.	
			3 Poles	4 Poles	3 Poles	4 Poles	3 Poles	4 Poles
15	15	500	140G-G2C3-C15	140G-G2C4-C15	140G-G3C3-C15	140G-G3C4-C15	140G-G6C3-C15	140G-G6C4-C15
16	16	500	140G-G2C3-C16	140G-G2C4-C16	140G-G3C3-C16	140G-G3C4-C16	140G-G6C3-C16	140G-G6C4-C16
20	20	500	140G-G2C3-C20	140G-G2C4-C20	140G-G3C3-C20	140G-G3C4-C20	140G-G6C3-C20	140G-G6C4-C20
25	25	500	140G-G2C3-C25	140G-G2C4-C25	140G-G3C3-C25	140G-G3C4-C25	140G-G6C3-C25	140G-G6C4-C25
30	30	500	140G-G2C3-C30	140G-G2C4-C30	140G-G3C3-C30	140G-G3C4-C30	140G-G6C3-C30	140G-G6C4-C30
32	32	500	140G-G2C3-C32	140G-G2C4-C32	140G-G3C3-C32	140G-G3C4-C32	140G-G6C3-C32	140G-G6C4-C32
35	35	500	140G-G2C3-C35	140G-G2C4-C35	140G-G3C3-C35	140G-G3C4-C35	140G-G6C3-C35	140G-G6C4-C35
40	40	500	140G-G2C3-C40	140G-G2C4-C40	140G-G3C3-C40	140G-G3C4-C40	140G-G6C3-C40	140G-G6C4-C40
45	45	500	140G-G2C3-C45	140G-G2C4-C45	140G-G3C3-C45	140G-G3C4-C45	140G-G6C3-C45	140G-G6C4-C45
50	50	500	140G-G2C3-C50	140G-G2C4-C50	140G-G3C3-C50	140G-G3C4-C50	140G-G6C3-C50	140G-G6C4-C50
60	60	600	140G-G2C3-C60	140G-G2C4-C60	140G-G3C3-C60	140G-G3C4-C60	140G-G6C3-C60	140G-G6C4-C60
63	63	630	140G-G2C3-C63	140G-G2C4-C63	140G-G3C3-C63	140G-G3C4-C63	140G-G6C3-C63	140G-G6C4-C63
70	70	700	140G-G2C3-C70	140G-G2C4-C70	140G-G3C3-C70	140G-G3C4-C70	140G-G6C3-C70	140G-G6C4-C70
80	80	800	140G-G2C3-C80	140G-G2C4-C80	140G-G3C3-C80	140G-G3C4-C80	140G-G6C3-C80	140G-G6C4-C80
90	90	900	140G-G2C3-C90	140G-G2C4-C90	140G-G3C3-C90	140G-G3C4-C90	140G-G6C3-C90	140G-G6C4-C90
100	100	1000	140G-G2C3-D10	140G-G2C4-D10	140G-G3C3-D10	140G-G3C4-D10	140G-G6C3-D10	140G-G6C4-D10
110	110	1100	140G-G2C3-D11	140G-G2C4-D11	140G-G3C3-D11	140G-G3C4-D11	140G-G6C3-D11	140G-G6C4-D11
125	125	1250	140G-G2C3-D12	140G-G2C4-D12	140G-G3C3-D12	140G-G3C4-D12	140G-G6C3-D12	140G-G6C4-D12
160★	‡	1600	140G-G2E3-D16	140G-G2E4-D16	140G-G3E3-D16	140G-G3E4-D16	140G-G6E3-D16	140G-G6E4-D16

★ IEC only.

‡ Adjustable thermal trip. 112 A min., 136 A med., 160 A max.

Molded Case Switch — UL489§

Rated Current I_n [A]	Magnetic Trip [A] I_m	Cat. No.	
		3 Poles	4 Poles
125	1250	140G-G6S3-D12	140G-G6S4-D12

§ Does not provide overcurrent protection; may open above 1250 A.



Cat. No. 140G-G6C3-D12

Molded Case Circuit Breakers

Catalog Number Explanation — 125 A, H-Frame

Complete Circuit Breaker Assemblies — 125 A, H-Frame

Examples given in this section are not intended to be used for product selection. Use ProposalWorks to configure the molded case circuit breaker. Use these configurations only to select all factory-installed options for shunt trips, undervoltage release units, auxiliary contacts, trip units, and alarm contacts. Use the codes from Table g to add on to the molded case circuit breaker cat. no. selected on the previous pages to form a complete cat. no. for a complete assembly with factory-installed options.



140G - H
3
C
3 - C60 - SD - AA

a
b
c
d
e
f
g

a

Bulletin No.	
Code	Description
140G	Global Molded Case Circuit Breaker

b

Frame/Rating	
Code	Description
H	125 A

c

Interrupting Rating/Breaking Capacity (based on I_c at 480V)	
Code	Description
2	25 kA
3	35 kA
6	65 kA
0	100 kA
15	150 kA
T	Trip unit

d

Protection Type	
Code	Description
C	Fixed thermal/fixed magnetic
F	Adjust thermal/ adjust magnetic
H	Electronic LSI- long, short, instant
I	Electronic LSIG -Long, short, instant & ground fault
X	Breaker frame
S	Molded case switch (isolator)

e

Poles	
Code	Description
3	3 poles
4	4 poles

f

Current Range	
Code	Description
C	e.g., C30 = 30 A
D	e.g., D16 = 160 A
Blank	Frame only

g

Factory-Installed Internal Options♦	
Shunt Trip and Undervoltage Release Units	
Code	Description
SJ	Shunt Trip, 24...30V AC/DC
SK	Shunt Trip, 48...60V AC/DC
SD	Shunt Trip, 110...127V AC; 110...125V DC
SA	Shunt Trip, 220...240V AC; 220...250V DC
SB	Shunt Trip, 380...440V AC
SC	Shunt Trip, 480...525V AC
UJ	Undervoltage Release, 24...30V AC/DC
UR	Undervoltage Release, 48V AC/DC
UD	Undervoltage Release, 110...127V AC; 110...125V DC
UA	Undervoltage Release, 220...240V AC; 220...250V DC
UB	Undervoltage Release, 380...440V AC
UC	Undervoltage Release, 480...525V AC
No Digit	No Selection
Auxiliary and Alarm Contacts, Trip Units	
Code	Description
KA	1 Aux. Contact, 250V
TA	1 Alarm Contact, 250V
AA	1 Aux., 1 Alarm Contact, 250V
BA	2 Aux., 1 Alarm Contact, 250V
DA	1 Trip Unit Alarm Contact, 250V
FB	2 Aux. Contacts, 400V
AB	1 Aux., 1 Alarm Contact, 400V
AJ	1 Aux., 1 Alarm Contact, 24V
DJ	1 Trip Unit Alarm Contact, 24V

♦ Select up to two internal options: 1 for left side mounting (shunt trip or undervoltage release), 1 for right (auxiliary or alarm contact). Consult your local Rockwell automation sales office or Allen-Bradley distributor for further assistance.

Breaker Frames & Trip Units



Breaker Frames, 125 A Rated Current

Interrupting Rating (50/60 Hz), UL 489/CSA C22.2-5, No. 5-02 [kA]			Breaking Capacity (50/60 Hz), IEC 60947-2								Breaking Capacity (DC), IEC 60947-2 ‡				Cat. No.	
240V	480V	600V	220V★		415V		440V★		690V		250V DC (2- pole in series)		500V DC (3- pole in series)		3 Poles	4 Poles
			I_{cu} [kA]	I_{cs} [% I_{cu}]	I_{cu} [kA]	I_{cs} [% I_{cu}]	I_{cu} [kA]	I_{cs} [% I_{cu}]	I_{cu} [kA]	I_{cs} [% I_{cu}]	I_{cu} [kA]	I_{cs} [% I_{cu}]	I_{cu} [kA]	I_{cs} [% I_{cu}]		
65	25	14	65	100	36	100	36	100	10	100	36	100	36	100	140G-H2X3	140G-H2X4
100	35	18	85	100	50	100	50	100	12	100	50	100	50	100	140G-H3X3	140G-H3X4
150	65	25	100	100	70	100	65	100	15	100	70	100	70	100	140G-H6X3	140G-H6X4
200	100	35	150	100	120	100	100	100	18	75	85	100	85	100	140G-H0X3	140G-H0X4
200	150	—	200	100	150	100	150	100	20	75	100	100	100	100	140G-H15X3	140G-H15X4

★ These ratings have not been tested for the CCC listing.
 ‡ DC rating is applicable for thermal-magnetic trip unit only.

Trip Units, Thermal-Magnetic

Rated Current I_n [A]	Thermal Trip [A] $I_r = I_n$	Magnetic Trip [A] I_m	Protection Type	Cat. No.	
				3 Poles	4 Poles
50	50	500	C (Fixed)	140G-HTC3-C50	140G-HTC4-C50
60	60	600	C (Fixed)	140G-HTC3-C60	140G-HTC4-C60
63	63	630	C (Fixed)	140G-HTC3-C63	140G-HTC4-C63
70	70	700	C (Fixed)	140G-HTC3-C70	140G-HTC4-C70
80	56...80	400...800	F (Adjustable)	140G-HTF3-C80	140G-HTF4-C80
90	63...90	450...900	F (Adjustable)	140G-HTF3-C90	140G-HTF4-C90
100	70...100	500...1000	F (Adjustable)	140G-HTF3-D10	140G-HTF4-D10
110	77...110	550...1100	F (Adjustable)	140G-HTF3-D11	140G-HTF4-D11
125	87...125	625...1250	F (Adjustable)	140G-HTF3-D12	140G-HTF4-D12

Trip Units, Electronic LSI (Long, Short, Instantaneous)

Rated Current I_n [A]	Protection Type					Cat. No.	
	L		S		I	3 Poles	4 Poles
	$I_1=0.4...1 \times I_n$	$t_1=sec.$	$I_2=1...10 \times I_n$	$t_2=sec.$	$I_3=1...10 \times I_n$		
60	24...60	3, 12, 36, 60	60...600	0.05, 0.1, 0.2, 0.4	60...600	140G-HTH3-C60	140G-HTH4-C60
100	40...100	3, 12, 36, 60	100...1000	0.05, 0.1, 0.2, 0.4	100...1000	140G-HTH3-D10	140G-HTH4-D10
125	50...125	3, 12, 36, 60	125...1250	0.05, 0.1, 0.2, 0.4	125...1250	140G-HTH3-D12	140G-HTH4-D12

Trip Units, Electronic LSIG (Long, Short, Instantaneous, Ground Fault)

Rated Current I_n [A]	Protection Type								Cat. No.	
	L		S		I	G		3 Poles	4 Poles	
	$I_1=0.4...1 \times I_n$	$t_1=sec.$	$I_2=1...10 \times I_n$	$t_2=sec.$	$I_3=1...10 \times I_n$	$I_4=0.2...1 \times I_n$	$t_4=sec.$			
60	24...60	3, 12, 36, 60	60...600	0.05, 0.1, 0.2, 0.4	60...600	12...60	0.1, 0.2, 0.4, 0.8	140G-HTI3-C60	140G-HTI4-C60	
100	40...100	3, 12, 36, 60	100...1000	0.05, 0.1, 0.2, 0.4	100...1000	20...100	0.1, 0.2, 0.4, 0.8	140G-HTI3-D10	140G-HTI4-D10	
125	50...125	3, 12, 36, 60	125...1250	0.05, 0.1, 0.2, 0.4	125...1250	25...125	0.1, 0.2, 0.4, 0.8	140G-HTI3-D12	140G-HTI4-D12	

Assembled molded case circuit breakers found on pages 8...10

Molded Case Circuit Breakers

Product Selection — 125 A, H-Frame

Assembled Molded Case Circuit Breakers — 125 A, H-Frame Interrupting Rating/Breaking Capacity — Thermal-Magnetic Circuit Breakers

Interrupting Rating (50/60 Hz), UL 489/CSA C22.2-5, No. 5-02 [kA]			Breaking Capacity (50/60 Hz), IEC 60947-2								Breaking Capacity (DC), IEC 60947-2 §				Interrupting Code‡
240V	480V	600V	220V★		415V		440V★		690V		250V DC (2-pole in series)		500V DC (3-pole in series)		
			I_{cu} [kA]	I_{cs} [% I_{cu}]	I_{cu} [kA]	I_{cs} [% I_{cu}]	I_{cu} [kA]	I_{cs} [% I_{cu}]	I_{cu} [kA]	I_{cs} [% I_{cu}]	I_{cu} [kA]	I_{cs} [% I_{cu}]	I_{cu} [kA]	I_{cs} [% I_{cu}]	
65	25	14	65	100	36	100	36	100	10	100	36	100	36	100	H2
100	35	18	85	100	50	100	50	100	12	100	50	100	50	100	H3
150	65	25	100	100	70	100	65	100	15	100	70	100	70	100	H6
200	100	35	150	100	120	100	100	100	18	75	85	100	85	100	H0
200	150	42	200	100	150	100	150	100	20	75	100	100	100	100	H15

★ These ratings have not been tested for the CCC listing.

‡ See table below for Cat. No. selection

§ DC rating is applicable for thermal-magnetic trip unit only.

Thermal-Magnetic, Fixed & Adjustable

Rated Current I_n [A]	Thermal Trip [A] $I_r = I_n$	Magnetic Trip [A] I_m	Interrupting Code H2		Interrupting Code H3		Interrupting Code H6	
			Cat. No.		Cat. No.		Cat. No.	
			3 Poles	4 Poles	3 Poles	4 Poles	3 Poles	4 Poles
15	15	400	140G-H2C3-C15	140G-H2C4-C15	140G-H3C3-C15	140G-H3C4-C15	140G-H6C3-C15	140G-H6C4-C15
16	16	400	140G-H2C3-C16	140G-H2C4-C16	140G-H3C3-C16	140G-H3C4-C16	140G-H6C3-C16	140G-H6C4-C16
20	20	400	140G-H2C3-C20	140G-H2C4-C20	140G-H3C3-C20	140G-H3C4-C20	140G-H6C3-C20	140G-H6C4-C20
25	25	400	140G-H2C3-C25	140G-H2C4-C25	140G-H3C3-C25	140G-H3C4-C25	140G-H6C3-C25	140G-H6C4-C25
30	30	400	140G-H2C3-C30	140G-H2C4-C30	140G-H3C3-C30	140G-H3C4-C30	140G-H6C3-C30	140G-H6C4-C30
32	32	400	140G-H2C3-C32	140G-H2C4-C32	140G-H3C3-C32	140G-H3C4-C32	140G-H6C3-C32	140G-H6C4-C32
35	35	400	140G-H2C3-C35	140G-H2C4-C35	140G-H3C3-C35	140G-H3C4-C35	140G-H6C3-C35	140G-H6C4-C35
40	40	400	140G-H2C3-C40	140G-H2C4-C40	140G-H3C3-C40	140G-H3C4-C40	140G-H6C3-C40	140G-H6C4-C40
50	50	500	140G-H2C3-C50	140G-H2C4-C50	140G-H3C3-C50	140G-H3C4-C50	140G-H6C3-C50	140G-H6C4-C50
60	60	600	140G-H2C3-C60	140G-H2C4-C60	140G-H3C3-C60	140G-H3C4-C60	140G-H6C3-C60	140G-H6C4-C60
63	63	630	140G-H2C3-C63	140G-H2C4-C63	140G-H3C3-C63	140G-H3C4-C63	140G-H6C3-C63	140G-H6C4-C63
70	70	700	140G-H2C3-C70	140G-H2C4-C70	140G-H3C3-C70	140G-H3C4-C70	140G-H6C3-C70	140G-H6C4-C70
80	56...80	400...800	140G-H2F3-C80	140G-H2F4-C80	140G-H3F3-C80	140G-H3F4-C80	140G-H6F3-C80	140G-H6F4-C80
90	63...90	450...900	140G-H2F3-C90	140G-H2F4-C90	140G-H3F3-C90	140G-H3F4-C90	140G-H6F3-C90	140G-H6F4-C90
100	70...100	500...1000	140G-H2F3-D10	140G-H2F4-D10	140G-H3F3-D10	140G-H3F4-D10	140G-H6F3-D10	140G-H6F4-D10
110	77...110	550...1100	140G-H2F3-D11	140G-H2F4-D11	140G-H3F3-D11	140G-H3F4-D11	140G-H6F3-D11	140G-H6F4-D11
125	87...125	625...1250	140G-H2F3-D12	140G-H2F4-D12	140G-H3F3-D12	140G-H3F4-D12	140G-H6F3-D12	140G-H6F4-D12
160★	112...160	800...1600	140G-H2F3-D16	140G-H2F4-D16	140G-H3F3-D16	140G-H3F4-D16	140G-H6F3-D16	140G-H6F4-D16

★ IEC only.

Rated Current I_n [A]	Thermal Trip [A] $I_r = I_n$	Magnetic Trip [A] I_m	Interrupting Code H0		Interrupting Code H15	
			Cat. No.		Cat. No.	
			3 Poles	4 Poles	3 Poles	4 Poles
15	15	400	140G-H0C3-C15	140G-H0C4-C15	140G-H15C3-C15	140G-H15C4-C15
16	16	400	140G-H0C3-C16	140G-H0C4-C16	140G-H15C3-C16	140G-H15C4-C16
20	20	400	140G-H0C3-C20	140G-H0C4-C20	140G-H15C3-C20	140G-H15C4-C20
25	25	400	140G-H0C3-C25	140G-H0C4-C25	140G-H15C3-C25	140G-H15C4-C25
30	30	400	140G-H0C3-C30	140G-H0C4-C30	140G-H15C3-C30	140G-H15C4-C30
32	32	400	140G-H0C3-C32	140G-H0C4-C32	140G-H15C3-C32	140G-H15C4-C32
35	35	400	140G-H0C3-C35	140G-H0C4-C35	140G-H15C3-C35	140G-H15C4-C35
40	40	400	140G-H0C3-C40	140G-H0C4-C40	140G-H15C3-C40	140G-H15C4-C40
50	50	500	140G-H0C3-C50	140G-H0C4-C50	140G-H15C3-C50	140G-H15C4-C50
60	60	600	140G-H0C3-C60	140G-H0C4-C60	140G-H15C3-C60	140G-H15C4-C60
63	63	630	140G-H0C3-C63	140G-H0C4-C63	140G-H15C3-C63	140G-H15C4-C63
70	70	700	140G-H0C3-C70	140G-H0C4-C70	140G-H15C3-C70	140G-H15C4-C70
80	56...80	400...800	140G-H0F3-C80	140G-H0F4-C80	140G-H15F3-C80	140G-H15F4-C80
90	63...90	450...900	140G-H0F3-C90	140G-H0F4-C90	140G-H15F3-C90	140G-H15F4-C90
100	70...100	500...1000	140G-H0F3-D10	140G-H0F4-D10	140G-H15F3-D10	140G-H15F4-D10
110	77...110	550...1100	140G-H0F3-D11	140G-H0F4-D11	140G-H15F3-D11	140G-H15F4-D11
125	84...120	625...1250	140G-H0F3-D12	140G-H0F4-D12	140G-H15F3-D12	140G-H15F4-D12
160★	112...160	800...1600	140G-H0F3-D16	140G-H0F4-D16	140G-H15F3-D16	140G-H15F4-D16

★ IEC only.

Interrupting Rating/Breaking Capacity — Electronic Circuit Breakers

Interrupting Rating (50/60 Hz), UL 489/CSA C22.2-5, No. 5-02 [kA]			Breaking Capacity (50/60 Hz), IEC 60947-2								Breaking Capacity (DC), IEC 60947-2				Interrupting Code†
240V	480V	600V	220V★		415V		440V★		690V		250V DC (2-pole in series)		500V DC (3-pole in series)		
			I_{cu} [kA]	I_{cs} [% I_{cu}]	I_{cu} [kA]	I_{cs} [% I_{cu}]	I_{cu} [kA]	I_{cs} [% I_{cu}]	I_{cu} [kA]	I_{cs} [% I_{cu}]	I_{cu} [kA]	I_{cs} [% I_{cu}]	I_{cu} [kA]	I_{cs} [% I_{cu}]	
65	25	14	65	100	36	100	36	100	10	100	36	100	36	100	H2
100	35	18	85	100	50	100	50	100	12	100	50	100	50	100	H3
150	65	25	100	100	70	100	65	100	15	100	70	100	70	100	H6
200	100	35	150	100	120	100	100	100	18	75	85	100	85	100	H0
200	150	42	200	100	150	100	150	100	20	75	100	100	100	100	H15

★ These ratings have not been tested for the CCC listing.

† See table below for Cat. No. selection

Electronic LSI (Long, Short, Instantaneous)

Rated Current I_n [A]	Protection Type						Interrupting Code H2		Interrupting Code H3	
	L		S		I		Cat. No.		Cat. No.	
	$I_1=0.4...1 \times I_n$	$t_1=sec.$	$I_2=1...10 \times I_n$	$t_2=sec.$	$I_3=1...10 \times I_n$		3 Poles	4 Poles	3 Poles	4 Poles
25	10...25	3, 12, 36, 60	25...250	0.05, 0.1, 0.2, 0.4	25...250	140G-H2H3-C25	140G-H2H4-C25	140G-H3H3-C25	140G-H3H4-C25	
60	24...60	3, 12, 36, 60	60...600	0.05, 0.1, 0.2, 0.4	60...600	140G-H2H3-C60	140G-H2H4-C60	140G-H3H3-C60	140G-H3H4-C60	
100	40...100	3, 12, 36, 60	100...1000	0.05, 0.1, 0.2, 0.4	100...1000	140G-H2H3-D10	140G-H2H4-D10	140G-H3H3-D10	140G-H3H4-D10	
125	50...125	3, 12, 36, 60	125...1250	0.05, 0.1, 0.2, 0.4	125...1250	140G-H2H3-D12	140G-H2H4-D12	140G-H3H3-D12	140G-H3H4-D12	
160★	64...160	3, 12, 36, 60	160...1600	0.05, 0.1, 0.2, 0.4	160...1600	140G-H2H3-D16	140G-H2H4-D16	140G-H3H3-D16	140G-H3H4-D16	

★ IEC only.

Rated Current I_n [A]	Protection Type						Interrupting Code H6	
	L		S		I		Cat. No.	
	$I_1=0.4...1 \times I_n$	$t_1=sec.$	$I_2=1...10 \times I_n$	$t_2=sec.$	$I_3=1...10 \times I_n$		3 Poles	4 Poles
25	10...25	3, 12, 36, 60	25...250	0.05, 0.1, 0.2, 0.4	25...250	140G-H6H3-C25	140G-H6H4-C25	
60	24...60	3, 12, 36, 60	60...600	0.05, 0.1, 0.2, 0.4	60...600	140G-H6H3-C60	140G-H6H4-C60	
100	40...100	3, 12, 36, 60	100...1000	0.05, 0.1, 0.2, 0.4	100...1000	140G-H6H3-D10	140G-H6H4-D10	
125	50...125	3, 12, 36, 60	125...1250	0.05, 0.1, 0.2, 0.4	125...1250	140G-H6H3-D12	140G-H6H4-D12	
160★	64...160	3, 12, 36, 60	160...1600	0.05, 0.1, 0.2, 0.4	160...1600	140G-H6H3-D16	140G-H6H4-D16	

★ IEC only.

Rated Current I_n [A]	Protection Type						Interrupting Code H0		Interrupting Code H15	
	L		S		I		Cat. No.		Cat. No.	
	$I_1=0.4...1 \times I_n$	$t_1=sec.$	$I_2=1...10 \times I_n$	$t_2=sec.$	$I_3=1...10 \times I_n$		3 Poles	4 Poles	3 Poles	4 Poles
25	10...25	3, 12, 36, 60	25...250	0.05, 0.1, 0.2, 0.4	25...250	140G-H0H3-C25	140G-H0H4-C25	140G-H15H3-C25	140G-H15H4-C25	
60	24...60	3, 12, 36, 60	60...600	0.05, 0.1, 0.2, 0.4	60...600	140G-H0H3-C60	140G-H0H4-C60	140G-H15H3-C60	140G-H15H4-C60	
100	40...100	3, 12, 36, 60	100...1000	0.05, 0.1, 0.2, 0.4	100...1000	140G-H0H3-D10	140G-H0H4-D10	140G-H15H3-D10	140G-H15H4-D10	
125	50...125	3, 12, 36, 60	125...1250	0.05, 0.1, 0.2, 0.4	125...1250	140G-H0H3-D12	140G-H0H4-D12	140G-H15H3-D12	140G-H15H4-D12	
160★	64...160	3, 12, 36, 60	160...1600	0.05, 0.1, 0.2, 0.4	160...1600	140G-H0H3-D16	140G-H0H4-D16	140G-H15H3-D16	140G-H15H4-D16	

★ IEC only.

Molded Case Circuit Breakers

Product Selection — 125 A, H-Frame

Electronic LSIG (Long, Short, Instantaneous, Ground Fault)

Rated Current I_n [A]	Protection Type							Interrupting Code H2		Interrupting Code H3	
	L		S		I	G		Cat. No.		Cat. No.	
	$I_1=0.4...1 \times I_n$	$t_1=sec.$	$I_2=1...10 \times I_n$	$t_2=sec.$	$I_3=1...10 \times I_n$	$I_4=0.2...1 \times I_n$	$t_4=sec.$	3 Poles	4 Poles	3 Poles	4 Poles
25	10...25	3, 12, 36, 60	25...250	0.05, 0.1, 0.2, 0.4	25...250	5...25	0.1, 0.2, 0.4, 0.8	140G-H2I3-C25	140G-H2I4-C25	140G-H3I3-C25	140G-H3I4-C25
60	24...60	3, 12, 36, 60	60...600	0.05, 0.1, 0.2, 0.4	60...600	12...60	0.1, 0.2, 0.4, 0.8	140G-H2I3-C60	140G-H2I4-C60	140G-H3I3-C60	140G-H3I4-C60
100	40...100	3, 12, 36, 60	100...1000	0.05, 0.1, 0.2, 0.4	100...1000	20...100	0.1, 0.2, 0.4, 0.8	140G-H2I3-D10	140G-H2I4-D10	140G-H3I3-D10	140G-H3I4-D10
125	50...125	3, 12, 36, 60	125...1250	0.05, 0.1, 0.2, 0.4	125...1250	25...125	0.1, 0.2, 0.4, 0.8	140G-H2I3-D12	140G-H2I4-D12	140G-H3I3-D12	140G-H3I4-D12
160★	64...160	3, 12, 36, 60	160...1600	0.05, 0.1, 0.2, 0.4	160...1600	32...160	0.1, 0.2, 0.4, 0.8	140G-H2I3-D16	140G-H2I4-D16	140G-H3I3-D16	140G-H3I4-D16

★ IEC only.

Rated Current I_n [A]	Protection Type							Interrupting Code H6	
	L		S		I	G		Cat. No.	Cat. No.
	$I_1=0.4...1 \times I_n$	$t_1=sec.$	$I_2=1...10 \times I_n$	$t_2=sec.$	$I_3=1...10 \times I_n$	$I_4=0.2...1 \times I_n$	$t_4=sec.$	3 Poles	4 Poles
25	10...25	3, 12, 36, 60	25...250	0.05, 0.1, 0.2, 0.4	25...250	5...25	0.1, 0.2, 0.4, 0.8	140G-H6I3-C25	140G-H6I4-C25
60	24...60	3, 12, 36, 60	60...600	0.05, 0.1, 0.2, 0.4	60...600	12...60	0.1, 0.2, 0.4, 0.8	140G-H6I3-C60	140G-H6I4-C60
100	40...100	3, 12, 36, 60	100...1000	0.05, 0.1, 0.2, 0.4	100...1000	20...100	0.1, 0.2, 0.4, 0.8	140G-H6I3-D10	140G-H6I4-D10
125	50...125	3, 12, 36, 60	125...1250	0.05, 0.1, 0.2, 0.4	125...1250	25...125	0.1, 0.2, 0.4, 0.8	140G-H6I3-D12	140G-H6I4-D12
160★	64...160	3, 12, 36, 60	160...1600	0.05, 0.1, 0.2, 0.4	160...1600	32...160	0.1, 0.2, 0.4, 0.8	140G-H6I3-D16	140G-H6I4-D16

★ IEC only.

Rated Current I_n [A]	Protection Type							Interrupting Code H0		Interrupting Code H15	
	L		S		I	G		Cat. No.		Cat. No.	
	$I_1=0.4...1 \times I_n$	$t_1=sec.$	$I_2=1...10 \times I_n$	$t_2=sec.$	$I_3=1...10 \times I_n$	$I_4=0.2...1 \times I_n$	$t_4=sec.$	3 Poles	4 Poles	3 Poles	4 Poles
25	10...25	3, 12, 36, 60	25...250	0.05, 0.1, 0.2, 0.4	25...250	5...25	0.1, 0.2, 0.4, 0.8	140G-H0I3-C25	140G-H0I4-C25	140G-H15I3-C25	140G-H15I4-C25
60	24...60	3, 12, 36, 60	60...600	0.05, 0.1, 0.2, 0.4	60...600	12...60	0.1, 0.2, 0.4, 0.8	140G-H0I3-C60	140G-H0I4-C60	140G-H15I3-C60	140G-H15I4-C60
100	40...100	3, 12, 36, 60	100...1000	0.05, 0.1, 0.2, 0.4	100...1000	20...100	0.1, 0.2, 0.4, 0.8	140G-H0I3-D10	140G-H0I4-D10	140G-H15I3-D10	140G-H15I4-D10
125	50...125	3, 12, 36, 60	125...1250	0.05, 0.1, 0.2, 0.4	125...1250	25...125	0.1, 0.2, 0.4, 0.8	140G-H0I3-D12	140G-H0I4-D12	140G-H15I3-D12	140G-H15I4-D12
160★	64...160	3, 12, 36, 60	160...1600	0.05, 0.1, 0.2, 0.4	160...1600	32...160	0.1, 0.2, 0.4, 0.8	140G-H0I3-D16	140G-H0I4-D16	140G-H15I3-D16	140G-H15I4-D16

★ IEC only.

Molded Case Switch — UL489§

Rated Current I_n [A]	Magnetic Trip [A] I_m	Cat. No.	
		3 Poles	4 Poles
125	1250	140G-H6S3-D12	140G-H6S4-D12

§ Does not provide overcurrent protection; may open above 1250 A.



Page Intentionally Left Blank

Molded Case Circuit Breakers

Catalog Number Explanation — 225 A, I-Frame

Complete Circuit Breaker Assemblies — 225 A, I-Frame

Examples given in this section are not intended to be used for product selection. Use ProposalWorks to configure the molded case circuit breaker. Use these configurations only to select all factory-installed options for shunt trips, undervoltage release units, auxiliary contacts, and alarm contacts. Use the codes from Table g to add on to the molded case circuit breaker cat. no. selected on the previous pages to form a complete cat. no. for a complete assembly with factory-installed options.



140G - I
3
C
3 - C60
SA
KA

a
b
c
d
e
f
g

a

Bulletin No.	
Code	Description
140G	Global Molded Case Circuit Breaker

b

Frame/Rating	
Code	Description
I	225 A

c

Interrupting Rating/Breaking Capacity (based on I_c at 480V)	
Code	Description
2	25 kA
3	35 kA

d

Protection Type	
Code	Description
C	Fixed thermal/fixed magnetic
S	Molded case switch (Isolator)

e

Poles	
Code	Description
3	3 poles
4	4 poles

f

Current Range	
Code	Description
C	e.g., C30 = 30 A
D	e.g., D16 = 160 A

g

Factory-Installed Internal Options ♦	
Shunt Trip and Undervoltage Release Units	
Code	Description
SJ	Shunt Trip, 24...30V AC/DC
SK	Shunt Trip, 48...60V AC/DC
SD	Shunt Trip, 110...127V AC; 110...125V DC
SA	Shunt Trip, 220...240V AC; 220...250V DC
SB	Shunt Trip, 380...440V AC
SG	Shunt Trip, 480...525V AC
UJ	Undervoltage Release, 24...30V AC/DC
UR	Undervoltage Release, 48V AC/DC
UD	Undervoltage Release, 110...127V AC; 110...125V DC
UA	Undervoltage Release, 220...240V AC; 220...250V DC
UB	Undervoltage Release, 380...440V AC
UC	Undervoltage Release, 480...525V AC
No Digit	No Selection
Auxiliary and Alarm Contacts	
Code	Description
KA	1 Aux. Contact, 250V
TA	1 Alarm Contact, 250V
AA	1 Aux., 1 Alarm Contact, 250V
BA	2 Aux., 1 Alarm Contact, 250V
CA	3 Aux., 1 Alarm Contact, 250V
AJ	1 Aux., 1 Alarm Contact, 24V
CJ	3 Aux., 1 Alarm Contact, 24V

♦ Select up to two internal options: 1 for left side mounting (shunt trip or undervoltage release), 1 for right (auxiliary or alarm contact). Consult your local Rockwell automation sales office or Allen-Bradley distributor for further assistance.

Assembled Molded Case Circuit Breakers — 225 A I-Frame



Interrupting Rating/Breaking Capacity — Thermal-Magnetic Circuit Breakers

Interrupting Rating (50/60 Hz), UL 489/CSA C22.2-5, No. 5-02 [kA]			Breaking Capacity (50 Hz), IEC 60947-2								Breaking Capacity (DC), IEC 60947-2				Interrupting Code‡
240V	480V	600Y/ 347V	220V★		415V		440V★		690V		250V DC (2-pole in series)		500V DC (3-pole in series)		
			I_{cu} [kA]	I_{cs} [% I_{cu}]	I_{cu} [kA]	I_{cs} [% I_{cu}]	I_{cu} [kA]	I_{cs} [% I_{cu}]	I_{cu} [kA]	I_{cs} [% I_{cu}]	I_{cu} [kA]	I_{cs} [% I_{cu}]	I_{cu} [kA]	I_{cs} [% I_{cu}]	
50	25	10	50	75	36	75	25	75	5	50	36	100	36	100	I2
65	35	10	85	50	50	50	40	50	6	50	50	75	50	75	I3

★ These ratings have not been tested for the CCC listing.
 ‡ See table below for Cat. No. selection

Thermal-Magnetic, Fixed & Adjustable

Rated Current I_n [A]	Thermal Trip [A] $I_r = I_n$ (Fixed)	Magnetic Trip [A] I_m	Interrupting Code I2		Interrupting Code I3	
			Cat. No.		Cat. No.	
			3 Poles	4 Poles	3 Poles	4 Poles
60	60	600	140G-I2C3-C60	140G-I2C4-C60	140G-I3C3-C60	140G-I3C4-C60
63	63	630	140G-I2C3-C63	140G-I2C4-C63	140G-I3C3-C63	140G-I3C4-C63
70	70	700	140G-I2C3-C70	140G-I2C4-C70	140G-I3C3-C70	140G-I3C4-C70
80	80	800	140G-I2C3-C80	140G-I2C4-C80	140G-I3C3-C80	140G-I3C4-C80
90	90	900	140G-I2C3-C90	140G-I2C4-C90	140G-I3C3-C90	140G-I3C4-C90
100	100	1000	140G-I2C3-D10	140G-I2C4-D10	140G-I3C3-D10	140G-I3C4-D10
110	110	1100	140G-I2C3-D11	140G-I2C4-D11	140G-I3C3-D11	140G-I3C4-D11
125	125	1250	140G-I2C3-D12	140G-I2C4-D12	140G-I3C3-D12	140G-I3C4-D12
150	150	1500	140G-I2C3-D15	140G-I2C4-D15	140G-I3C3-D15	140G-I3C4-D15
160	160	1600	140G-I2C3-D16	140G-I2C4-D16	140G-I3C3-D16	140G-I3C4-D16
175	175	1750	140G-I2C3-D17	140G-I2C4-D17	140G-I3C3-D17	140G-I3C4-D17
200	200	2000	140G-I2C3-D20	140G-I2C4-D20	140G-I3C3-D20	140G-I3C4-D20
225	225	2250	140G-I2C3-D22	140G-I2C4-D22	140G-I3C3-D22	140G-I3C4-D22

Molded Case Switch — UL489§

Rated Current I_n [A]	Magnetic Trip [A] I_m	Cat. No.	
		3 Poles	4 Poles
225	2250	140G-I3S3-D22	140G-I3S4-D22

§ Does not provide overcurrent protection; may open above 2250 A.



Molded Case Circuit Breakers

Catalog Number Explanation — 250 A, J-Frame

Complete Circuit Breaker Assemblies — 250 A, J-Frame

Examples given in this section are not intended to be used for product selection. Use ProposalWorks to configure the molded case circuit breaker. Use these configurations only to select all factory-installed options for shunt trips, undervoltage release units, auxiliary contacts, trip units, and alarm contacts. Use the codes from Table g to add on to the molded case circuit breaker cat. no. selected on the previous pages to form a complete cat. no. for a complete assembly with factory-installed options.



140G - J
3
C
3
- C60
- SD
- AA

a
b
c
d
e
f
g

a

Bulletin No.	
Code	Description
140G	Global Molded Case Circuit Breaker

b

Frame/Rating	
Code	Description
J	250 A

c

Interrupting Rating/Breaking Capacity (based on I_c at 480V)	
Code	Description
2	25 kA
3	35 kA
6	65 kA
0	100 kA
T	Trip unit

d

Protection Type	
Code	Description
C	Fixed thermal/ fixed magnetic
E	Adjust thermal/ fixed magnetic
F	Adjust thermal/ adjust magnetic
H	Electronic LSI-long, short, instant
I	Electronic LSIg -long, short, instant & ground fault
X	Breaker frame
S	Molded case switch (isolator)

e

Poles	
Code	Description
3	3 poles
4	4 poles

f

Current Range	
Code	Description
C	e.g., C30 = 30 A
D	e.g., D16 = 160 A
Blank	Frame only

g

Factory-Installed Internal Options ♦	
Shunt Trip and Undervoltage Release Units	
Code	Description
SJ	Shunt Trip, 24...30V AC/DC
SK	Shunt Trip, 48...60V AC/DC
SD	Shunt Trip, 110...127V AC; 110...125V DC
SA	Shunt Trip, 220...240V AC; 220...250V DC
SB	Shunt Trip, 380...440V AC
SC	Shunt Trip, 480...525V AC
UJ	Undervoltage Release, 24...30V AC/DC
UR	Undervoltage Release, 48V AC/DC
UD	Undervoltage Release, 110...127V AC; 110...125V DC
UA	Undervoltage Release, 220...240V AC; 220...250V DC
UB	Undervoltage Release, 380...440V AC
UC	Undervoltage Release, 480...525V AC
No Digit	No Selection
Auxiliary and Alarm Contacts, Trip Units	
Code	Description
KA	1 Aux. Contact, 250V
TA	1 Alarm Contact, 250V
AA	1 Aux., 1 Alarm Contact, 250V
BA	2 Aux., 1 Alarm Contact, 250V
DA	1 Trip Unit Alarm Contact, 250V
FB	2 Aux. Contacts, 400V
AB	1 Aux., 1 Alarm Contact, 400V
AJ	1 Aux., 1 Alarm Contact, 24V
DJ	1 Trip Unit Alarm Contact, 24V

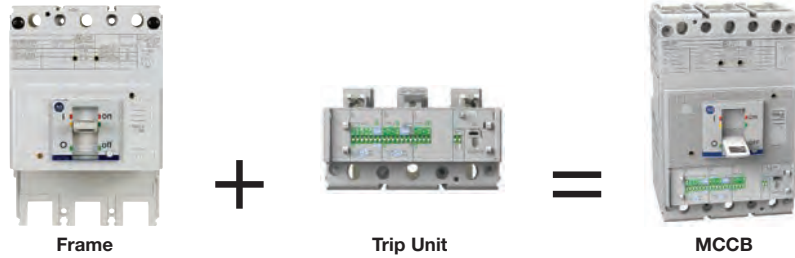
♦ Select up to two internal options: 1 for left side mounting, 1 for right. Consult your local Rockwell automation sales office or Allen-Bradley distributor for further assistance.



Molded Case Circuit Breakers

Product Selection — 250 A, J-Frame

Breaker Frames & Trip Units



Breaker Frames, 250 A Rated Current

Interrupting Rating (50/60 Hz), UL 489/CSA C22.2-5, No. 5-02 [kA]			Breaking Capacity (50/60 Hz), IEC 60947-2								Breaking Capacity (DC), IEC 60947-2 ‡				Cat. No.	
240V	480V	600V	220V★		415V		440V★		690V		250V DC (2-pole in series)		500V DC (3-pole in series)		3 Poles	4 Poles
			I_{cu} [kA]	I_{cs} [% I_{cu}]	I_{cu} [kA]	I_{cs} [% I_{cu}]	I_{cu} [kA]	I_{cs} [% I_{cu}]	I_{cu} [kA]	I_{cs} [% I_{cu}]	I_{cu} [kA]	I_{cs} [% I_{cu}]	I_{cu} [kA]	I_{cs} [% I_{cu}]		
65	25	14	65	100	36	100	36	100	10	100	36	100	36	100	140G-J2X3	140G-J2X4
100	35	18	85	100	50	100	50	100	12	100	50	100	50	100	140G-J3X3	140G-J4X4
150	65	25	100	100	70	100	65	100	15	100	70	100	70	100	140G-J6X3	140G-J6X4
200	100	35	150	100	120	100	100	100	20	100	85	100	85	100	140G-J0X3	140G-J0X4

★ These ratings have not been tested for the CCC listing.

‡ DC rating is applicable for thermal-magnetic trip unit only.

Trip Units, Thermal-Magnetic

Rated Current I_n [A]	Thermal Trip [A] $I_r = I_n$ (Fixed)	Magnetic Trip [A] I_m	Protection Type	Cat. No.	
				3 Poles	4 Poles
25	25	400	C (Fixed)	140G-JTC3-C25	140G-JTC4-C25
30	30	400	C (Fixed)	140G-JTC3-C30	140G-JTC4-C30
32	32	400	C (Fixed)	140G-JTC3-C32	140G-JTC4-C32
35	35	400	C (Fixed)	140G-JTC3-C35	140G-JTC4-C35
40	40	400	C (Fixed)	140G-JTC3-C40	140G-JTC4-C40
50	50	500	C (Fixed)	140G-JTC3-C50	140G-JTC4-C50
60	60	600	C (Fixed)	140G-JTC3-C60	140G-JTC4-C60
63	63	630	C (Fixed)	140G-JTC3-C63	140G-JTC4-C63
70	70	700	C (Fixed)	140G-JTC3-C70	140G-JTC4-C70
80	56...80	400...800	F (Adjustable)	140G-JTF3-C80	140G-JTF4-C80
90	63...90	450...900	F (Adjustable)	140G-JTF3-C90	140G-JTF4-C90
100	70...100	500...1000	F (Adjustable)	140G-JTF3-D10	140G-JTF4-D10
110	77...110	550...1100	F (Adjustable)	140G-JTF3-D11	140G-JTF4-D11
125	87.5...125	625...1250	F (Adjustable)	140G-JTF3-D12	140G-JTF4-D12
150	105...150	750...1500	F (Adjustable)	140G-JTF3-D15	140G-JTF4-D15
160	112...160	800...1600	F (Adjustable)	140G-JTF3-D16	140G-JTF4-D16
175	122.5...175	875...1750	F (Adjustable)	140G-JTF3-D17	140G-JTF4-D17
200	140...200	1000...2000	F (Adjustable)	140G-JTF3-D20	140G-JTF4-D20
225	157.5...225	1125...2250	F (Adjustable)	140G-JTF3-D22	140G-JTF4-D22
250	175...250	1250...2500	F (Adjustable)	140G-JTF3-D25	140G-JTF4-D25

Trip Units, Electronic LSI (Long, Short, Instantaneous)

Rated Current I_n [A]	Protection Type					Cat. No. 3 Poles	Cat. No. 4 Poles
	L		S		I		
	$I_1=0.4...1 \times I_n$	$t_1=sec.$	$I_2=1...10 \times I_n$	$t_2=sec.$	$I_3=1...10 \times I_n$		
40	16...40	3, 12, 36, 60	40...400	0.05, 0.1, 0.2, 0.4	40...400	140G-JTH3-C40	140G-JTH4-C40
60	24...60	3, 12, 36, 60	60...600	0.05, 0.1, 0.2, 0.4	60...600	140G-JTH3-C60	140G-JTH4-C60
100	40...100	3, 12, 36, 60	100...1000	0.05, 0.1, 0.2, 0.4	100...1000	140G-JTH3-D10	140G-JTH4-D10
150	60...150	3, 12, 36, 60	150...1500	0.05, 0.1, 0.2, 0.4	150...1500	140G-JTH3-D15	140G-JTH4-D15
250	100...250	3, 12, 36, 60	250...2500	0.05, 0.1, 0.2, 0.4	250...2500	140G-JTH3-D25	140G-JTH4-D25

Trip Units, Electronic LSI (Long, Short, Instantaneous, Ground Fault)

Rated Current I_n [A]	Protection Type								Cat. No. 3 Poles	Cat. No. 4 Poles
	L		S		I		G			
	$I_1=0.4...1 \times I_n$	$t_1=sec.$	$I_2=1...10 \times I_n$	$t_2=sec.$	$I_3=1...10 \times I_n$	$I_4=0.2...1 \times I_n$	$t_4=sec.$			
40	16...40	3, 12, 36, 60	40...400	0.05, 0.1, 0.2, 0.4	40...400	8...40	0.1, 0.2, 0.4, 0.8	140G-JTI3-C40	140G-JTI4-C40	
60	24...60	3, 12, 36, 60	60...600	0.05, 0.1, 0.2, 0.4	60...600	12...60	0.1, 0.2, 0.4, 0.8	140G-JTI3-C60	140G-JTI4-C60	
100	40...100	3, 12, 36, 60	100...1000	0.05, 0.1, 0.2, 0.4	100...1000	20...100	0.1, 0.2, 0.4, 0.8	140G-JTI3-D10	140G-JTI4-D10	
150	60...150	3, 12, 36, 60	150...1500	0.05, 0.1, 0.2, 0.4	150...1500	30...150	0.1, 0.2, 0.4, 0.8	140G-JTI3-D15	140G-JTI4-D15	
250	100...250	3, 12, 36, 60	250...2500	0.05, 0.1, 0.2, 0.4	250...2500	50...250	0.1, 0.2, 0.4, 0.8	140G-JTI3-D25	140G-JTI4-D25	

Molded Case Circuit Breakers

Product Selection — 250 A, J-Frame

Assembled Molded Case Circuit Breakers — 250 A J-Frame Interrupting Rating/Breaking Capacity — Thermal-Magnetic Circuit Breakers

Interrupting Rating (50/60 Hz), UL 489/CSA C22.2-5, No. 5-02 [kA]			Breaking Capacity (50/60 Hz), IEC 60947-2								Breaking Capacity (DC), IEC 60947-2 §				Interrupting Code†
240V	480V	600V	220V★		415V		440V★		690V		250V DC (2-pole in series)		500V DC (3-pole in series)		
			I_{cu} [kA]	I_{cs} [% I_{cu}]	I_{cu} [kA]	I_{cs} [% I_{cu}]	I_{cu} [kA]	I_{cs} [% I_{cu}]	I_{cu} [kA]	I_{cs} [% I_{cu}]	I_{cu} [kA]	I_{cs} [% I_{cu}]	I_{cu} [kA]	I_{cs} [% I_{cu}]	
65	25	14	65	100	36	100	36	100	10	100	36	100	36	100	J2
100	35	18	85	100	50	100	50	100	12	100	50	100	50	100	J3
150	65	25	100	100	70	100	65	100	15	100	70	100	70	100	J6
200	100	35	150	100	120	100	100	100	20	100	85	100	85	100	J0

★ These ratings have not been tested for the CCC listing.

† See table below for Cat. No. selection

§ DC rating is applicable for thermal-magnetic trip unit only.

Thermal-Magnetic, Fixed & Adjustable

Rated Current I_n [A]	Thermal Trip [A] $I_r = I_n$ (Fixed)	Magnetic Trip [A] I_m	Interrupting Code J2		Interrupting Code J3	
			Cat. No.		Cat. No.	
			3 Poles	4 Poles	3 Poles	4 Poles
25	25	400	140G-J2C3-C25	140G-J2C4-C25	140G-J3C3-C25	140G-J3C4-C25
30	30	400	140G-J2C3-C30	140G-J2C4-C30	140G-J3C3-C30	140G-J3C4-C30
32	32	400	140G-J2C3-C32	140G-J2C4-C32	140G-J3C3-C32	140G-J3C4-C32
35	35	400	140G-J2C3-C35	140G-J2C4-C35	140G-J3C3-C35	140G-J3C4-C35
40	40	400	140G-J2C3-C40	140G-J2C4-C40	140G-J3C3-C40	140G-J3C4-C40
50	50	500	140G-J2C3-C50	140G-J2C4-C50	140G-J3C3-C50	140G-J3C4-C50
60	60	600	140G-J2C3-C60	140G-J2C4-C60	140G-J3C3-C60	140G-J3C4-C60
63	63	630	140G-J2C3-C63	140G-J2C4-C63	140G-J3C3-C63	140G-J3C4-C63
70	70	700	140G-J2C3-C70	140G-J2C4-C70	140G-J3C3-C70	140G-J3C4-C70
80	56...80	400...800	140G-J2F3-C80	140G-J2F4-C80	140G-J3F3-C80	140G-J3F4-C80
90	63...90	450...900	140G-J2F3-C90	140G-J2F4-C90	140G-J3F3-C90	140G-J3F4-C90
100	70...100	500...1000	140G-J2F3-D10	140G-J2F4-D10	140G-J3F3-D10	140G-J3F4-D10
110	77...110	550...1100	140G-J2F3-D11	140G-J2F4-D11	140G-J3F3-D11	140G-J3F4-D11
125	87.5...125	625...1250	140G-J2F3-D12	140G-J2F4-D12	140G-J3F3-D12	140G-J3F4-D12
150	105...150	750...1500	140G-J2F3-D15	140G-J2F4-D15	140G-J3F3-D15	140G-J3F4-D15
160	112...160	800...1600	140G-J2F3-D16	140G-J2F4-D16	140G-J3F3-D16	140G-J3F4-D16
175	122.5...175	875...1750	140G-J2F3-D17	140G-J2F4-D17	140G-J3F3-D17	140G-J3F4-D17
200	140...200	1000...2000	140G-J2F3-D20	140G-J2F4-D20	140G-J3F3-D20	140G-J3F4-D20
225	157.5...225	1125...2250	140G-J2F3-D22	140G-J2F4-D22	140G-J3F3-D22	140G-J3F4-D22
250	175...250	1250...2500	140G-J2F3-D25	140G-J2F4-D25	140G-J3F3-D25	140G-J3F4-D25

Rated Current I_n [A]	Thermal Trip [A] $I_r = I_n$ (Fixed)	Magnetic Trip [A] I_m	Interrupting Code J6		Interrupting Code J0	
			Cat. No.		Cat. No.	
			3 Poles	4 Poles	3 Poles	4 Poles
25	25	400	140G-J6C3-C25	140G-J6C4-C25	140G-J0C3-C25	140G-J0C4-C25
30	30	400	140G-J6C3-C30	140G-J6C4-C30	140G-J0C3-C30	140G-J0C4-C30
32	32	400	140G-J6C3-C32	140G-J6C4-C32	140G-J0C3-C32	140G-J0C4-C32
35	35	400	140G-J6C3-C35	140G-J6C4-C35	140G-J0C3-C35	140G-J0C4-C35
40	40	400	140G-J6C3-C40	140G-J6C4-C40	140G-J0C3-C40	140G-J0C4-C40
50	50	500	140G-J6C3-C50	140G-J6C4-C50	140G-J0C3-C50	140G-J0C4-C50
60	60	600	140G-J6C3-C60	140G-J6C4-C60	140G-J0C3-C60	140G-J0C4-C60
63	63	630	140G-J6C3-C63	140G-J6C4-C63	140G-J0C3-C63	140G-J0C4-C63
70	70	700	140G-J6C3-C70	140G-J6C4-C70	140G-J0C3-C70	140G-J0C4-C70
80	56...80	400...800	140G-J6F3-C80	140G-J6F4-C80	140G-J0F3-C80	140G-J0F4-C80
90	63...90	450...900	140G-J6F3-C90	140G-J6F4-C90	140G-J0F3-C90	140G-J0F4-C90
100	70...100	500...1000	140G-J6F3-D10	140G-J6F4-D10	140G-J0F3-D10	140G-J0F4-D10
110	77...110	550...1100	140G-J6F3-D11	140G-J6F4-D11	140G-J0F3-D11	140G-J0F4-D11
125	87.5...125	625...1250	140G-J6F3-D12	140G-J6F4-D12	140G-J0F3-D12	140G-J0F4-D12
150	105...150	750...1500	140G-J6F3-D15	140G-J6F4-D15	140G-J0F3-D15	140G-J0F4-D15
160	112...160	800...1600	140G-J6F3-D16	140G-J6F4-D16	140G-J0F3-D16	140G-J0F4-D16
175	122.5...175	875...1750	140G-J6F3-D17	140G-J6F4-D17	140G-J0F3-D17	140G-J0F4-D17
200	140...200	1000...2000	140G-J6F3-D20	140G-J6F4-D20	140G-J0F3-D20	140G-J0F4-D20
225	157.5...225	1125...2250	140G-J6F3-D22	140G-J6F4-D22	140G-J0F3-D22	140G-J0F4-D22
250	175...250	1250...2500	140G-J6F3-D25	140G-J6F4-D25	140G-J0F3-D25	140G-J0F4-D25



Interrupting Rating/Breaking Capacity — Electronic Circuit Breakers

Interrupting Rating (50/60 Hz), UL 489/CSA C22.2-5, No. 5-02 [kA]			Breaking Capacity (50/60 Hz), IEC 60947-2								Breaking Capacity (DC), IEC 60947-2 §				Interrupting Code‡
240V	480V	600V	220V★		415V		440V★		690V		250V DC (2-pole in series)		500V DC (3-pole in series)		
			I_{cu} [kA]	I_{cs} [% I_{cu}]	I_{cu} [kA]	I_{cs} [% I_{cu}]	I_{cu} [kA]	I_{cs} [% I_{cu}]	I_{cu} [kA]	I_{cs} [% I_{cu}]	I_{cu} [kA]	I_{cs} [% I_{cu}]	I_{cu} [kA]	I_{cs} [% I_{cu}]	
65	25	14	65	100	36	100	36	100	10	100	36	100	36	100	J2
100	35	18	85	100	50	100	50	100	12	100	50	100	50	100	J3
150	65	25	100	100	70	100	65	100	15	100	70	100	70	100	J6
200	100	35	150	100	120	100	100	100	20	100	85	100	85	100	J0

★ These ratings have not been tested for the CCC listing.
 ‡ See table below for Cat. No. selection
 § DC rating is applicable for thermal-magnetic trip unit only.

Electronic LSI (Long, Short, Instantaneous)

Rated Current I_n [A]	Protection Type					Interrupting Code J2		Interrupting Code J3	
	L		S		I	Cat. No.		Cat. No.	
	$I_1=0.4...1 \times I_n$	$t_1=sec.$	$I_2=1...10 \times I_n$	$t_2=sec.$	$I_3=1...10 \times I_n$	3 Poles	4 Poles	3 Poles	4 Poles
40	16...40	3, 12, 36, 60	40...400	0.05, 0.1, 0.2, 0.4	40...400	140G-J2H3-C40	140G-J2H4-C40	140G-J3H3-C40	140G-J3H4-C40
60	24...60	3, 12, 36, 60	60...600	0.05, 0.1, 0.2, 0.4	60...600	140G-J2H3-C60	140G-J2H4-C60	140G-J3H3-C60	140G-J3H4-C60
100	40...100	3, 12, 36, 60	100...1000	0.05, 0.1, 0.2, 0.4	100...1000	140G-J2H3-D10	140G-J2H4-D10	140G-J3H3-D10	140G-J3H4-D10
150	60...150	3, 12, 36, 60	150...1500	0.05, 0.1, 0.2, 0.4	150...1500	140G-J2H3-D15	140G-J2H4-D15	140G-J3H3-D15	140G-J3H4-D15
250	100...250	3, 12, 36, 60	250...2500	0.05, 0.1, 0.2, 0.4	250...2500	140G-J2H3-D25	140G-J2H4-D25	140G-J3H3-D25	140G-J3H4-D25

Rated Current I_n [A]	Protection Type					Interrupting Code J6		Interrupting Code J0	
	L		S		I	Cat. No.		Cat. No.	
	$I_1=0.4...1 \times I_n$	$t_1=sec.$	$I_2=1...10 \times I_n$	$t_2=sec.$	$I_3=1...10 \times I_n$	3 Poles	4 Poles	3 Poles	4 Poles
40	16...40	3, 12, 36, 60	40...400	0.05, 0.1, 0.2, 0.4	40...400	140G-J6H3-C40	140G-J6H4-C40	140G-J0H3-C40	140G-J0H4-C40
60	24...60	3, 12, 36, 60	60...600	0.05, 0.1, 0.2, 0.4	60...600	140G-J6H3-C60	140G-J6H4-C60	140G-J0H3-C60	140G-J0H4-C60
100	40...100	3, 12, 36, 60	100...1000	0.05, 0.1, 0.2, 0.4	100...1000	140G-J6H3-D10	140G-J6H4-D10	140G-J0H3-D10	140G-J0H4-D10
150	60...150	3, 12, 36, 60	150...1500	0.05, 0.1, 0.2, 0.4	150...1500	140G-J6H3-D15	140G-J6H4-D15	140G-J0H3-D15	140G-J0H4-D15
250	100...250	3, 12, 36, 60	250...2500	0.05, 0.1, 0.2, 0.4	250...2500	140G-J6H3-D25	140G-J6H4-D25	140G-J0H3-D25	140G-J0H4-D25

Molded Case Circuit Breakers

Product Selection — 250 A, J-Frame

Electronic LSIG (Long, Short, Instantaneous, Ground Fault)

Rated Current I_n [A]	Protection Type						Interrupting Code J2		Interrupting Code J3		
	L		S		I	G		Cat. No.		Cat. No.	
	$I_1=0.4...1 \times I_n$	$t_1=sec.$	$I_2=1...10 \times I_n$	$t_2=sec.$	$I_3=1...10 \times I_n$	$I_4=0.2...1 \times I_n$	$t_4=sec.$	3 Poles	4 Poles	3 Poles	4 Poles
40	16...40	3, 12, 36, 60	40...400	0.05, 0.1, 0.2, 0.4	40...400	8...40	0.1, 0.2, 0.4, 0.8	140G-J2I3-C40	140G-J2I4-C40	140G-J3I3-C40	140G-J3I4-C40
60	24...60	3, 12, 36, 60	60...600	0.05, 0.1, 0.2, 0.4	60...600	12...60	0.1, 0.2, 0.4, 0.8	140G-J2I3-C60	140G-J2I4-C60	140G-J3I3-C60	140G-J3I4-C60
100	40...100	3, 12, 36, 60	100...1000	0.05, 0.1, 0.2, 0.4	100...1000	20...100	0.1, 0.2, 0.4, 0.8	140G-J2I3-D10	140G-J2I4-D10	140G-J3I3-D10	140G-J3I4-D10
150	60...150	3, 12, 36, 60	150...1500	0.05, 0.1, 0.2, 0.4	150...1500	30...150	0.1, 0.2, 0.4, 0.8	140G-J2I3-D15	140G-J2I4-D15	140G-J3I3-D15	140G-J3I4-D15
250	100...250	3, 12, 36, 60	250...2500	0.05, 0.1, 0.2, 0.4	250...2500	50...250	0.1, 0.2, 0.4, 0.8	140G-J2I3-D25	140G-J2I4-D25	140G-J3I3-D25	140G-J3I4-D25

Rated Current I_n [A]	Protection Type						Interrupting Code J6		Interrupting Code J0		
	L		S		I	G		Cat. No.		Cat. No.	
	$I_1=0.4...1 \times I_n$	$t_1=sec.$	$I_2=1...10 \times I_n$	$t_2=sec.$	$I_3=1...10 \times I_n$	$I_4=0.2...1 \times I_n$	$t_4=sec.$	3 Poles	4 Poles	3 Poles	4 Poles
40	16...40	3, 12, 36, 60	40...400	0.05, 0.1, 0.2, 0.4	40...400	8...40	0.1, 0.2, 0.4, 0.8	140G-J6I3-C40	140G-J6I4-C40	140G-J0I3-C40	140G-J0I4-C40
60	24...60	3, 12, 36, 60	60...600	0.05, 0.1, 0.2, 0.4	60...600	12...60	0.1, 0.2, 0.4, 0.8	140G-J6I3-C60	140G-J6I4-C60	140G-J0I3-C60	140G-J0I4-C60
100	40...100	3, 12, 36, 60	100...1000	0.05, 0.1, 0.2, 0.4	100...1000	20...100	0.1, 0.2, 0.4, 0.8	140G-J6I3-D10	140G-J6I4-D10	140G-J0I3-D10	140G-J0I4-D10
150	60...150	3, 12, 36, 60	150...1500	0.05, 0.1, 0.2, 0.4	150...1500	30...150	0.1, 0.2, 0.4, 0.8	140G-J6I3-D15	140G-J6I4-D15	140G-J0I3-D15	140G-J0I4-D15
250	100...250	3, 12, 36, 60	250...2500	0.05, 0.1, 0.2, 0.4	250...2500	50...250	0.1, 0.2, 0.4, 0.8	140G-J6I3-D25	140G-J6I4-D25	140G-J0I3-D25	140G-J0I4-D25

Rated Current I_n [A]	Magnetic Trip [A] I_m	Cat. No.	
		3 Poles	4 Poles
250	2500	140G-J0S3-D25	140G-J0S4-D25



Molded Case Switch — UL489S

§ Does not provide overcurrent protection; may open above 2500 A.



Page Intentionally Left Blank

Molded Case Circuit Breakers

Catalog Number Explanation — 400 A, K-Frame

Complete Circuit Breaker Assemblies — 400 A, K-Frame

Examples given in this section are not intended to be used for product selection. Use ProposalWorks to configure the molded case circuit breaker. Use these configurations only to select all factory-installed options for shunt trips, undervoltage release units, auxiliary contacts, and alarm contacts. Use the codes from Table g to add on to the molded case circuit breaker cat. no. selected on the previous pages to form a complete cat. no. for a complete assembly with factory-installed options.



140G – K
3
C
3 – C60 – SD – AA

a
b
c
d
e
f
g

a

Bulletin No.	
Code	Description
140G	Global Molded Case Circuit Breaker

b

Frame/Rating	
Code	Description
K	400 A

c

Interrupting Rating/Breaking Capacity (based on I_c at 480V)	
Code	Description
3	35 kA
6	65 kA
0	100 kA
15	150 kA
T	Trip unit

d

Protection Type	
Code	Description
F	Adjust thermal/ adjust magnetic
H	Electronic LSI -long, short, instant
I	Electronic LSI -long, short, instant & ground fault
K	Electronic LSIG-MM -long, short, instant, ground fault & MM
S	Molded case switch (isolator)
X	Breaker Frame

e

Poles	
Code	Description
3	3 poles
4	4 poles

f

Current Range	
Code	Description
D25	e.g., 250 A
D30	e.g., 300 A
D40	e.g., 400 A
Blank	Frame only

g

Factory-Installed Internal Options♦	
Shunt Trip and Undervoltage Release Units	
Code	Description
SJ	Shunt Trip, 24...30V AC/DC
SK	Shunt Trip, 48...60V AC/DC
SD	Shunt Trip, 110...127V AC; 110...125V DC
SA	Shunt Trip, 220...240V AC; 220...250V DC
SB	Shunt Trip, 380...440V AC
SC	Shunt Trip, 480...525V AC
UJ	Undervoltage Release, 24...30V AC/DC
UR	Undervoltage Release, 48V AC/DC
UD	Undervoltage Release, 110...127V AC; 110...125V DC
UA	Undervoltage Release, 220...240V AC; 220...250V DC
UB	Undervoltage Release, 380...440V AC
UC	Undervoltage Release, 480...525V AC
No Digit	No Selection
Auxiliary and Alarm Contacts	
Code	Description
AA	1 Aux., 1 Alarm Contact, 250V
CA	3 Aux., 1 Alarm Contact, 250V
AB	1 Aux., 1 Alarm Contact, 400V
FB	2 Aux. Contacts, 400V
CJ	3 Aux., 1 Alarm Contact, 24V

♦ Select up to two internal options: 1 for left side mounting (shunt trip or undervoltage release), 1 for right (auxiliary or alarm contact). Consult your local Rockwell automation sales office or Allen-Bradley distributor for further assistance.



Breaker Frames & Trip Units



Breaker Frames, 400 A Rated Current

Interrupting Rating (50/60 Hz), UL 489/CSA C22.2-5, No. 5-02 [kA]					Breaking Capacity (50/60 Hz), IEC 60947-2										Breaking Capacity (DC), IEC 60947-2 ‡		Cat. No.	
240V	480V	600V	2-pole in series	3-Pole in series	220V★		415V		440V★		690V		500V DC (3-pole in series)		3 Poles	4 Poles		
			500V DC ‡	600V DC ‡	I_{cu} [kA]	I_{cs} [% I_{cu}]	I_{cu} [kA]	I_{cs} [% I_{cu}]	I_{cu} [kA]	I_{cs} [% I_{cu}]	I_{cu} [kA]	I_{cs} [% I_{cu}]	I_{cu} [kA]	I_{cs} [% I_{cu}]				
100	35	25	35	25	85	100	50	100	40	100	25	100	36	100	140G-K3X3	140G-K3X4		
150	65	35	50	35	100	100	70	100	65	100	40	100	50	100	140G-K6X3	140G-K6X4		
200	100	65	65	50	200	100	120	100	100	100	70	100	70	100	140G-K0X3	140G-K0X4		
200	150	100	100	65	200	100	200	100	180	100	80	100	100	100	140G-K15X3	140G-K15X4		

★ These ratings have not been tested for the CCC listing.
 ‡ DC rating is applicable for thermal-magnetic trip unit only.

Trip Units, Thermal-Magnetic

Rated Current I_n [A]	Thermal Trip [A] $I_r = I_n$	Magnetic Trip [A] I_m	Protection Type	Cat. No.	
				3 Poles	4 Poles
300	210...300	1500...3000	F (Adjustable Thermal/ Adjustable Magnetic)	140G-KTF3-D30	140G-KTF4-D30
400	280...400	2000...4000	F (Adjustable Thermal/ Adjustable Magnetic)	140G-KTF3-D40	140G-KTF4-D40

Trip Units, Electronic LSI (Long, Short, Instantaneous)

Rated Current I_n [A]	Protection Type					Cat. No.	
	L		S		I	3 Poles	3 Poles
	$I_1=0.4...1 \times I_n$	$t_1=sec.$	$I_2=0.6...10 \times I_n$	$t_2=sec.$	$I_3=1.5...12 \times I_n$		
300	120...300	3, 6, 9, 18	180...3000	0.05, 0.1, 0.25, 0.5	450...3600	140G-KTH3-D30	140G-KTH4-D30
400	160...400	3, 6, 9, 18	240...4000	0.05, 0.1, 0.25, 0.5	600...4800	140G-KTH3-D40	140G-KTH4-D40

Trip Units, Electronic LSIG (Long, Short, Instantaneous, Ground Fault)

Rated Current I_n [A]	Protection Type								Cat. No.	Cat. No.
	L		S		I	G				
	$I_1=0.4...1 \times I_n$	$t_1=sec.$	$I_2=0.6...10 \times I_n$	$t_2=sec.$	$I_3=1.5...12 \times I_n$	$I_4=0.2...1 \times I_n$	$t_4=sec.$			
300	120...300	3, 6, 9, 18	180...3000	0.05, 0.1, 0.25, 0.5	450...3600	60...300	0.1, 0.2, 0.4, 0.8	140G-KT13-D30	140G-KT14-D30	
400	160...400	3, 6, 9, 18	240...4000	0.05, 0.1, 0.25, 0.5	600...4800	80...400	0.1, 0.2, 0.4, 0.8	140G-KT13-D40	140G-KT14-D40	

Trip Units, Electronic LSIG-MM (Long, Short, Instantaneous, Ground Fault - Maintenance Mode)

Rated Current I_n [A]	Protection Type								Cat. No.	Cat. No.
	L		S		I	G				
	$I_1=0.4...1 \times I_n$	$t_1=sec.$	$I_2=0.6...10 \times I_n$	$t_2=sec.$	$I_3=1.5...12 \times I_n$	$I_4=0.2...1 \times I_n$	$t_4=sec.$			
300	120...300	3, 6, 9, 18	180...3000	0.05, 0.1, 0.25, 0.5	450...3600	60...300	0.1, 0.2, 0.4, 0.8	140G-KTK3-D30	140G-KTK4-D30	
400	160...400	3, 6, 9, 18	240...4000	0.05, 0.1, 0.25, 0.5	600...4800	80...400	0.1, 0.2, 0.4, 0.8	140G-KTK3-D40	140G-KTK4-D40	

Assembled molded case circuit breakers found on pages 22...24

Molded Case Circuit Breakers

Product Selection — 400 A, K-Frame



Assembled Molded Case Circuit Breakers — 400 A K-Frame

Interrupting Rating/Breaking Capacity — Thermal-Magnetic Circuit Breakers

Interrupting Rating (50/60 Hz), UL 489/CSA C22.2-5, No. 5-02 [kA]					Breaking Capacity (50/60 Hz), IEC 60947-2								Breaking Capacity (DC), IEC 60947-2 §		Interrupting Code ‡
240V	480V	600V	2-pole in series	3-Pole in series	220V ★		415V		440V ★		690V		500V DC (3-pole in series)		
			500V DC	600V DC	I_{cu} [kA]	I_{cs} [% I_{cu}]	I_{cu} [kA]	I_{cs} [% I_{cu}]	I_{cu} [kA]	I_{cs} [% I_{cu}]	I_{cu} [kA]	I_{cs} [% I_{cu}]	I_{cu} [kA]	I_{cs} [% I_{cu}]	
100	35	25	35	25	85	100	50	100	40	100	25	100	36	100	K3
150	65	35	50	35	100	100	70	100	65	100	40	100	50	100	K6
200	100	65	65	50	200	100	120	100	100	100	70	100	70	100	K0
200	150	100	100	65	200	100	200	100	180	100	80	100	100	100	K15

★ These ratings have not been tested for the CCC listing.

‡ See table below for Cat. No. selection

§ DC rating is applicable for thermal-magnetic trip unit only.

Thermal-Magnetic, Fixed & Adjustable

Rated Current I_n [A]	Thermal Trip [A] $I_r = I_n$ (Fixed)	Magnetic Trip [A] I_m	Protection Type	Interrupting Code K3		Interrupting Code K6	
				Cat. No.		Cat. No.	
				3 Poles	4 Poles	3 Poles	4 Poles
300	210...300	1500...3000	F (Adjustable Thermal/Adjustable Magnetic)	140G-K3F3-D30	140G-K3F4-D30	140G-K6F3-D30	140G-K6F4-D30
400	280...400	2000...4000	F (Adjustable Thermal/Adjustable Magnetic)	140G-K3F3-D40	140G-K3F4-D40	140G-K6F3-D40	140G-K6F4-D40

Rated Current I_n [A]	Thermal Trip [A] $I_r = I_n$ (Fixed)	Magnetic Trip [A] I_m	Protection Type	Interrupting Code K0		Interrupting Code K15	
				Cat. No.		Cat. No.	
				3 Poles	4 Poles	3 Poles	3 Poles
300	210...300	1500...3000	F (Adjustable Thermal/Adjustable Magnetic)	140G-K0F3-D30	140G-K0F4-D30	140G-K15F3-D30	140G-K15F3-D30
400	280...400	2000...4000	F (Adjustable Thermal/Adjustable Magnetic)	140G-K0F3-D40	140G-K0F4-D40	140G-K15F3-D40	140G-K15F3-D40



Breaking Capacity/Interrupting Rating — Electronic Circuit Breakers

Interrupting Rating (50/60 Hz), UL 489/CSA C22.2-5, No. 5-02 [kA]					Breaking Capacity (50/60 Hz), IEC 60947-2								Breaking Capacity (DC), IEC 60947-2 §		Interrupting Code†
240V	480V	600V	2-pole in series		220V★		415V		440V★		690V		500V DC (3-pole in series)		
			500V DC	600V DC	I_{cu} [kA]	I_{cs} [% I_{cu}]	I_{cu} [kA]	I_{cs} [% I_{cu}]	I_{cu} [kA]	I_{cs} [% I_{cu}]	I_{cu} [kA]	I_{cs} [% I_{cu}]	I_{cu} [kA]	I_{cs} [% I_{cu}]	
100	35	25	35	25	85	100	50	100	40	100	25	100	36	100	K3
150	65	35	50	35	100	100	70	100	65	100	40	100	50	100	K6
200	100	65	65	50	200	100	120	100	100	100	70	100	70	100	K0
200	150	100	100	65	200	100	200	100	180	100	80	100	100	100	K15

★ These ratings have not been tested for the CCC listing.
 † See table below for Cat. No. selection
 § DC rating is applicable for thermal-magnetic trip unit only.

Electronic LSI (Long, Short, Instantaneous), Adjustable

Rated Current I_n [A]	Protection Type					Interrupting Code K3		Interrupting Code K6	
	L		S		I	Cat. No.		Cat. No.	
	$I_1=0.4...1 \times I_n$	$t_1=sec.$	$I_2=0.6...10 \times I_n$	$t_2=sec.$	$I_3=1.5...12 \times I_n$	3 Poles	4 Poles	3 Poles	4 Poles
300	120...300	3, 6, 9, 18	180...3000	0.05, 0.1, 0.25, 0.5	450...3600	140G-K3H3-D30	140G-K3H4-D30	140G-K6H3-D30	140G-K6H4-D30
400	160...400	3, 6, 9, 18	240...4000	0.05, 0.1, 0.25, 0.5	600...4800	140G-K3H3-D40	140G-K3H4-D40	140G-K6H3-D40	140G-K6H4-D40

Rated Current I_n [A]	Protection Type					Interrupting Code K0		Interrupting Code K15	
	L		S		I	Cat. No.		Cat. No.	
	$I_1=0.4...1 \times I_n$	$t_1=sec.$	$I_2=0.6...10 \times I_n$	$t_2=sec.$	$I_3=1.5...12 \times I_n$	3 Poles	4 Poles	3 Poles	4 Poles
300	120...300	3, 6, 9, 18	180...3000	0.05, 0.1, 0.25, 0.5	450...3600	140G-K0H3-D30	140G-K0H4-D30	140G-K15H3-D30	140G-K15H4-D30
400	160...400	3, 6, 9, 18	240...4000	0.05, 0.1, 0.25, 0.5	600...4800	140G-K0H3-D40	140G-K0H4-D40	140G-K15H3-D40	140G-K15H4-D40

Electronic LSIG (Long, Short, Instantaneous, Ground Fault), Adjustable

Rated Current I_n [A]	Protection Type						Interrupting Code K3		Interrupting Code K6		
	L		S		I	G	Cat. No.		Cat. No.		
	$I_1=0.4...1 \times I_n$	$t_1=sec.$	$I_2=0.6...10 \times I_n$	$t_2=sec.$	$I_3=1.5...12 \times I_n$	$I_4=0.2...1 \times I_n$	$t_4=sec.$	3 Poles	4 Poles	3 Poles	4 Poles
300	120...300	3, 6, 9, 18	180...3000	0.05, 0.1, 0.25, 0.5	450...3600	60...300	0.1, 0.2, 0.4, 0.8	140G-K3I3-D30	140G-K3I4-D30	140G-K6I3-D30	140G-K6I4-D30
400	160...400	3, 6, 9, 18	240...4000	0.05, 0.1, 0.25, 0.5	600...4800	80...400	0.1, 0.2, 0.4, 0.8	140G-K3I3-D40	140G-K3I4-D40	140G-K6I3-D40	140G-K6I4-D40

Rated Current I_n [A]	Protection Type						Interrupting Code K0		Interrupting Code K15		
	L		S		I	G	Cat. No.		Cat. No.		
	$I_1=0.4...1 \times I_n$	$t_1=sec.$	$I_2=0.6...12 \times I_n$	$t_2=sec.$	$I_3=1.5...12 \times I_n$	$I_4=0.2...1 \times I_n$	$t_4=sec.$	3 Poles	4 Poles	3 Poles	4 Poles
300	120...300	3, 6, 9, 18	180...3000	0.05, 0.1, 0.25, 0.5	450...3600	60...300	0.1, 0.2, 0.4, 0.8	140G-K0I3-D30	140G-K0I4-D30	140G-K15I3-D30	140G-K15I4-D30
400	160...400	3, 6, 9, 18	240...4000	0.05, 0.1, 0.25, 0.5	600...4800	80...400	0.1, 0.2, 0.4, 0.8	140G-K0I3-D40	140G-K0I4-D40	140G-K15I3-D40	140G-K15I4-D40

Molded Case Circuit Breakers

Product Selection — 400 A, K-Frame

Electronic LSIG-MM (Long, Short, Instantaneous, Ground Fault - Maintenance Mode), Adjustable

Rated Current I_n [A]	Protection Type						Interrupting Code K3		Interrupting Code K6		
	L		S		I	G		Cat. No.		Cat. No.	
	$I_1=0.4...1 \times I_n$	$t_1=sec.$	$I_2=0.6...10 \times I_n$	$t_2=sec.$	$I_3=1.5...12 \times I_n$	$I_4=0.2...1 \times I_n$	$t_4=sec.$	3 Poles	4 Poles	3 Poles	4 Poles
300	120...300	3, 6, 9, 18	180...3000	0.05, 0.1, 0.25, 0.5	450...3600	60...300	0.1, 0.2, 0.4, 0.8	140G-K3K3-D30	140G-K3K4-D30	140G-K6K3-D30	140G-K6K4-D30
400	160...400	3, 6, 9, 18	240...4000	0.05, 0.1, 0.25, 0.5	600...4800	80...400	0.1, 0.2, 0.4, 0.8	140G-K3K3-D40	140G-K3K4-D40	140G-K6K3-D40	140G-K6K4-D40

Rated Current I_n [A]	Protection Type						Interrupting Code K0		Interrupting Code K15		
	L		S		I	G		Cat. No.		Cat. No.	
	$I_1=0.4...1 \times I_n$	$t_1=sec.$	$I_2=0.6...10 \times I_n$	$t_2=sec.$	$I_3=1.5...12 \times I_n$	$I_4=0.2...1 \times I_n$	$t_4=sec.$	3 Poles	4 Poles	3 Poles	4 Poles
300	120...300	3, 6, 9, 18	180...3000	0.05, 0.1, 0.25, 0.5	450...3600	60...300	0.1, 0.2, 0.4, 0.8	140G-K0K3-D30	140G-K0K4-D30	140G-K15K3-D30	140G-K15K4-D30
400	160...400	3, 6, 9, 18	240...4000	0.05, 0.1, 0.25, 0.5	600...4800	80...400	0.1, 0.2, 0.4, 0.8	140G-K0K3-D40	140G-K0K4-D40	140G-K15K3-D40	140G-K15K4-D40

Maintenance Mode (MM)

Maintenance Mode (MM) offers a preset set of protection parameters. MM allows systems testing when the molded case circuit breaker is energized or ON. This feature is a manual adjustment on the molded case circuit breaker, via a DIP switch. The following table illustrates the preset values for Maintenance Mode.

Rated Current I_n [A]	L		S		I	G		MM
	$I_1=1 \times I_n$	$t_1=MAX \text{ sec.}$	$I_2=OFF$	$t_2=OFF \text{ sec.}$	$I_3=4 \times I_n$	$I_4=OFF$	$t_4=OFF \text{ sec.}$	$I_5=2.5 \times I_n$
300	300	18	—	—	1200	—	—	750
400	400	18	—	—	1600	—	—	1000

Molded Case Switch — UL489§

Rated Current I_n [A]	Magnetic Trip [A] I_m	Cat. No.	
		3 Poles	4 Poles
400	5000	140G-K15S3-D40	140G-K15S4-D40

§ Does not provide overcurrent protection; may open above 5000 A.



Page Intentionally Left Blank

Molded Case Circuit Breakers

Catalog Number Explanation — 800 A, M-Frame

Complete Circuit Breaker Assemblies — 800 A, M-Frame

Examples given in this section are not intended to be used for product selection. Use ProposalWorks to configure the molded case circuit breaker. Use these configurations only to select all factory-installed options for shunt trips, undervoltage release units, auxiliary contacts, and alarm contacts. Use the codes from Table g to add on to the molded case circuit breaker cat. no. selected on the previous pages to form a complete cat. no. for a complete assembly with factory-installed options.



140G – M 6 K 3 – D60 – SD – AA

a b c d e f g

a

Bulletin No.	
Code	Description
140G	Global Molded Case Circuit Breaker

b

Frame/Rating	
Code	Description
M	800 A

c

Interrupting Rating/Breaking Capacity (based on I_c at 480V)	
Code	Description
5	50 kA
6	65 kA
0	100 kA
T	Trip unit

d

Protection Type	
Code	Description
F	Adjust thermal/ adjust magnetic
H	Electronic LSI -long, short, instant
I	Electronic LSI -long, short, instant & ground fault
K	Electronic LSIG-MM -long, short, instant, ground fault & MM
X	Breaker frame
S	Molded case switch (isolator)

e

Poles	
Code	Description
3	3 poles
4	4 poles

f

Current Range	
Code	Description
D60	e.g., 600 A
D63	e.g., 630 A
D80	e.g., 800 A
Blank	Frame only

g

Factory-Installed Internal Options♦	
Shunt Trip and Undervoltage Release Units	
Code	Description
SJ	Shunt Trip, 24...30V AC/DC
SK	Shunt Trip, 48...60V AC/DC
SD	Shunt Trip, 110...127V AC; 110...125V DC
SA	Shunt Trip, 220...240V AC; 220...250V DC
SB	Shunt Trip, 380...440V AC
SC	Shunt Trip, 480...525V AC
UJ	Undervoltage Release, 24...30V AC/DC
UR	Undervoltage Release, 48V AC/DC
UY	Undervoltage Release, 60V AC/DC
UD	Undervoltage Release, 110...127V AC; 110...125V DC
UA	Undervoltage Release, 220...240V AC; 220...250V DC
UB	Undervoltage Release, 380...440V AC
UC	Undervoltage Release, 480...525V AC
No Digit	No Selection
Auxiliary and Alarm Contacts, Trip Units	
Code	Description
AA	1 Aux., 1 Alarm Contact, 250V
CA	3 Aux., 1 Alarm Contact, 250V
FB	2 Aux. Contacts, 400V
AB	1 Aux., 1 Alarm Contact, 400V
CJ	3 Aux., 1 Alarm Contact, 24V

♦ Select up to two internal options: 1 for left side mounting (shunt trip or undervoltage release), 1 for right (auxiliary or alarm contact). Consult your local Rockwell automation sales office or Allen-Bradley distributor for further assistance.



Breaker Frames & Trip Units



Breaker Frames, 800 A Rated Current

Interrupting Rating (50/60 Hz), UL 489/CSA C22.2-5, No. 5-02 [kA]			Breaking Capacity (50/60 Hz), IEC 60947-2						Breaking Capacity (DC), IEC 60947-2 §		Cat. No.		
240V	480V	600V	3-Pole in series 600V DC	220V★		415V		690V		750V DC (3-pole in series)		3 Poles	4 Poles
				I_{cu} [kA]	I_{cs} [% I_{cu}]	I_{cu} [kA]	I_{cs} [% I_{cu}]	I_{cu} [kA]	I_{cs} [% I_{cu}]	I_{cu} [kA]	I_{cs} [% I_{cu}]		
100	50	25	20	85	100	50	100	22	75	16	75	140G-M5X3	140G-M5X4
200	65	35	35	100	100	70	100	25	75	36	75	140G-M6X3	140G-M6X4
200	100	42	50	200	75	100	75	30	75	50	75	140G-M0X3	140G-M0X4

- ★ These ratings have not been tested for the CCC listing.
- ‡ See table below for Cat. No. selection
- § DC rating is applicable for thermal-magnetic trip unit only.

Trip Units, Thermal-Magnetic

Rated Current I_n [A]	Thermal Trip [A] $I_t = I_n$	Magnetic Trip [A] I_m	Protection Type	Cat. No.	
				3 Poles	4 Poles
600	420...630	3000...6000	F (Adjustable Thermal/ Adjustable Magnetic)	140G-MTF3-D60	140G-MTF3-D60
800	560...800	4000...8000	F (Adjustable Thermal/ Adjustable Magnetic)	140G-MTF3-D80	140G-MTF4-D80

Trip Units, Electronic LSI (Long, Short, Instantaneous)

Rated Current I_n [A]	Protection Type					Cat. No.	
	L		S		I	3 Poles	4 Poles
	$I_1=0.4...1 \times I_n$	$t_1=sec.$	$I_2=0.6...10 \times I_n$	$t_2=sec.$	$I_3=1.5...12 \times I_n$		
600	240...600	3, 6, 9, 18	360...6000	0.05, 0.1, 0.25, 0.5	900...7200	140G-MTH3-D60	140G-MTH4-D60
800	320...800	3, 6, 9, 18	480...8000	0.05, 0.1, 0.25, 0.5	800...8400	140G-MTH3-D80	140G-MTH4-D80

Trip Units, Electronic LSIG (Long, Short, Instantaneous, Ground Fault)

Rated Current I_n [A]	Protection Type							Cat. No.	
	L		S		I	G		3 Poles	4 Poles
	$I_1=0.4...1 \times I_n$	$t_1=sec.$	$I_2=0.6...10 \times I_n$	$t_2=sec.$	$I_3=1.5...12 \times I_n$	$I_4=0.2...1 \times I_n$	$t_4=sec.$		
600	240...600	3, 6, 9, 18	360...6000	0.05, 0.1, 0.25, 0.5	900...7200	120...600	0.1, 0.2, 0.4, 0.8	140G-MTI3-D60	140G-MTI4-D60
800	320...800	3, 6, 9, 18	480...8000	0.05, 0.1, 0.25, 0.5	800...8400	160...800	0.1, 0.2, 0.4, 0.8	140G-MTI3-D80	140G-MTI4-D80

Trip Units, Electronic LSIG-MM (Long, Short, Instantaneous, Ground Fault - Maintenance Mode)

Rated Current I_n [A]	Protection Type							Cat. No.	
	L		S		I	G		3 Poles	4 Poles
	$I_1=0.4...1 \times I_n$	$t_1=sec.$	$I_2=0.6...10 \times I_n$	$t_2=sec.$	$I_3=1.5...12 \times I_n$	$I_4=0.2...1 \times I_n$	$t_4=sec.$		
600	240...600	3, 6, 9, 18	360...6000	0.05, 0.1, 0.25, 0.5	900...7200	120...600	0.1, 0.2, 0.4, 0.8	140G-MTK3-D60	140G-MTK4-D60
800	320...800	3, 6, 9, 18	480...8000	0.05, 0.1, 0.25, 0.5	800...8400	160...800	0.1, 0.2, 0.4, 0.8	140G-MTK3-D80	140G-MTK4-D80

Assembled molded case circuit breakers found on pages 28...30

Molded Case Circuit Breakers

Product Selection — 800 A, M-Frame



Assembled Molded Case Circuit Breakers — 800 A M-Frame

Interrupting Rating/Breaking Capacity — Thermal-Magnetic Circuit Breakers

Interrupting Rating (50/60 Hz), UL 489/CSA C22.2-5, No. 5-02 [kA]				Breaking Capacity (50/60 Hz), IEC 60947-2						Breaking Capacity (DC), IEC 60947-2		Interrupting Code‡
240V	480V	600V	3-Pole in series 600V DC	220V★		415V		690V		750V DC (3-pole in series)		
				I_{cu} [kA]	I_{cs} [% I_{cu}]	I_{cu} [kA]	I_{cs} [% I_{cu}]	I_{cu} [kA]	I_{cs} [% I_{cu}]	I_{cu} [kA]	I_{cs} [% I_{cu}]	
100	50	25	20	85	100	50	100	22	75	16	75	M5
200	65	35	35	100	100	70	100	25	75	36	75	M6
200	100	42	50	200	75	100	75	30	75	50	75	M0

★ These ratings have not been tested for the CCC listing.

‡ See table below for Cat. No. selection

Thermal-Magnetic, Adjustable & Adjustable

Rated Current I_n [A]	Thermal Trip [A] $I_r = I_n$	Magnetic Trip [A] I_m	Protection Type	Interrupting Code M5		Interrupting Code M6		Interrupting Code M0	
				Cat. No.		Cat. No.		Cat. No.	
				3 Poles	4 Poles	3 Poles	4 Poles	3 Poles	4 Poles
600	420...630	3000...6000	F (Adjustable Thermal/ Adjustable Magnetic)	140G-M5F3-D60	140G-M5F4-D60	140G-M6F3-D60	140G-M6F4-D60	140G-M0F3-D60	140G-M0F4-D60
630 §	441...630	3150...6300		140G-M5F3-D63	140G-M5F4-D63	140G-M6F3-D63	140G-M6F4-D63	140G-M0F3-D63	140G-M0F4-D63
800	560...800	4000...8000		140G-M5F3-D80	140G-M5F4-D80	140G-M6F3-D80	140G-M6F4-D80	140G-M0F3-D80	140G-M0F4-D80

§ IEC only.



Interrupting Rating/Breaking Capacity — Electronic Circuit Breakers

Interrupting Rating (50/60 Hz), UL 489/CSA C22.2-5, No. 5-02 [kA]			Breaking Capacity (50/60 Hz), IEC 60947-2							Breaking Capacity (DC), IEC 60947-2		Interrupting Code‡
240V	480V	600V	3-Pole in series 600V DC	220V★		415V		690V		750V DC (3-pole in series)		
				I_{cu} [kA]	I_{cs} [% I_{cu}]	I_{cu} [kA]	I_{cs} [% I_{cu}]	I_{cu} [kA]	I_{cs} [% I_{cu}]	I_{cu} [kA]	I_{cs} [% I_{cu}]	
100	50	25	20	85	100	50	100	22	75	16	75	M5
200	65	35	35	100	100	70	100	25	75	36	75	M6
200	100	42	50	200	75	100	75	30	75	50	75	M0

★ These ratings have not been tested for the CCC listing.

‡ See table below for Cat. No. selection

Electronic LSI (Long, Short, Instantaneous)

Rated Current I_n [A]	Protection Type					Interrupting Code M5		Interrupting Code M6	
	L		S		I	Cat. No.		Cat. No.	Cat. No.
	$I_1=0.4...1 \times I_n$	$t_1=sec.$	$I_2=1...10 \times I_n$	$t_2=sec.$	$I_3=1...10 \times I_n$	3 Poles	4 Poles	4 Poles	3 Poles
600	240...600	3, 6, 9, 18	360...6000	0.05, 0.1, 0.25, 0.5	900...7200	140G-M5H3-D60	140G-M5H4-D60	140G-M6H3-D60	140G-M6H4-D60
630 §	252...630	3, 6, 9, 18	378...6300	0.05, 0.1, 0.25, 0.5	945...7560	140G-M5H3-D63	140G-M5H4-D63	140G-M6H3-D63	140G-M6H4-D63
800	320...800	3, 6, 9, 18	480...8000	0.05, 0.1, 0.25, 0.5	800...8400	140G-M5H3-D80	140G-M5H4-D80	140G-M6H3-D80	140G-M6H4-D80

§ IEC only.

Rated Current I_n [A]	Protection Type					Interrupting Code M0	
	L		S		I	Cat. No.	
	$I_1=0.4...1 \times I_n$	$t_1=sec.$	$I_2=1...10 \times I_n$	$t_2=sec.$	$I_3=1...10 \times I_n$	3 Poles	4 Poles
600	240...600	3, 6, 9, 18	360...6000	0.05, 0.1, 0.25, 0.5	900...7200	140G-M0H3-D60	140G-M0H4-D60
630 §	252...630	3, 6, 9, 18	378...6300	0.05, 0.1, 0.25, 0.5	945...7560	140G-M0H3-D63	140G-M0H4-D63
800	320...800	3, 6, 9, 18	480...8000	0.05, 0.1, 0.25, 0.5	800...8400	140G-M0H3-D80	140G-M0H4-D80

§ IEC only.

Electronic LSIG (Long, Short, Instantaneous, Ground Fault)

Rated Current I_n [A]	Protection Type							Interrupting Code M5		Interrupting Code M6	
	L		S		I	G		Cat. No.		Cat. No.	
	$I_1=0.4...1 \times I_n$	$t_1=sec.$	$I_2=1...10 \times I_n$	$t_2=sec.$	$I_3=1...10 \times I_n$	$I_4=0.2...1 \times I_n$	$t_4=sec.$	3 Poles	4 Poles	3 Poles	4 Poles
600	240...600	3, 6, 9, 18	360...6000	0.05, 0.1, 0.25, 0.5	900...7200	120...600	0.1, 0.2, 0.4, 0.8	140G-M5I3-D60	140G-M5I4-D60	140G-M6I3-D60	140G-M6I4-D60
630 §	252...630	3, 6, 9, 18	378...6300	0.05, 0.1, 0.25, 0.5	945...7560	126...630	0.1, 0.2, 0.4, 0.8	140G-M5I3-D63	140G-M5I4-D63	140G-M6I3-D63	140G-M6I4-D63
800	320...800	3, 6, 9, 18	480...8000	0.05, 0.1, 0.25, 0.5	800...8400	160...800	0.1, 0.2, 0.4, 0.8	140G-M5I3-D80	140G-M5I4-D80	140G-M6I3-D80	140G-M6I4-D80

§ IEC only.

Rated Current I_n [A]	Protection Type							Interrupting Code M0	
	L		S		I	G		Cat. No.	
	$I_1=0.4...1 \times I_n$	$t_1=sec.$	$I_2=1...10 \times I_n$	$t_2=sec.$	$I_3=1...10 \times I_n$	$I_4=0.2...1 \times I_n$	$t_4=sec.$	3 Poles	4 Poles
600	240...600	3, 6, 9, 18	360...6000	0.05, 0.1, 0.25, 0.5	900...7200	120...600	0.1, 0.2, 0.4, 0.8	140G-M0I3-D60	140G-M0I4-D60
630 §	252...630	3, 6, 9, 18	378...6300	0.05, 0.1, 0.25, 0.5	945...7560	126...630	0.1, 0.2, 0.4, 0.8	140G-M0I3-D63	140G-M0I4-D63
800	320...800	3, 6, 9, 18	480...8000	0.05, 0.1, 0.25, 0.5	800...8400	160...800	0.1, 0.2, 0.4, 0.8	140G-M0I3-D80	140G-M0I4-D80

§ IEC only.

Molded Case Circuit Breakers

Product Selection — 800 A, M-Frame



Electronic LSIG-MM (Long, Short, Instantaneous, Ground Fault - Maintenance Mode)

Rated Current I_n [A]	Protection Type							Interrupting Code M5		Interrupting Code M6	
	L		S		I	G		Cat. No.		Cat. No.	
	$I_1=0.4...1 \times I_n$	$t_1=sec.$	$I_2=1...10 \times I_n$	$t_2=sec.$	$I_3=1...10 \times I_n$	$I_4=0.2...1 \times I_n$	$t_4=sec.$	3 Poles	4 Poles	3 Poles	4 Poles
600	240...600	3, 6, 9, 18	360...6000	0.05, 0.1, 0.25, 0.5	900...7200	120...600	0.1, 0.2, 0.4, 0.8	140G-M5K3-D60	140G-M5K4-D60	140G-M6K3-D60	140G-M6K4-D60
630 §	252...630	3, 6, 9, 18	378...6300	0.05, 0.1, 0.25, 0.5	945...7560	126...630	0.1, 0.2, 0.4, 0.8	140G-M5K3-D63	140G-M5K4-D63	140G-M6K3-D63	140G-M6K4-D63
800	320...800	3, 6, 9, 18	480...8000	0.05, 0.1, 0.25, 0.5	800...8400	160...800	0.1, 0.2, 0.4, 0.8	140G-M5K3-D80	140G-M5K4-D80	140G-M6K3-D80	140G-M6K4-D80

§ IEC only.

Rated Current I_n [A]	Protection Type							Interrupting Code M0	
	L		S		I	G		Cat. No.	
	$I_1=0.4...1 \times I_n$	$t_1=sec.$	$I_2=1...10 \times I_n$	$t_2=sec.$	$I_3=1...10 \times I_n$	$I_4=0.2...1 \times I_n$	$t_4=sec.$	3 Poles	4 Poles
600	240...600	3, 6, 9, 18	360...6000	0.05, 0.1, 0.25, 0.5	900...7200	120...600	0.1, 0.2, 0.4, 0.8	140G-M0K3-D60	140G-M0K4-D60
630 §	252...630	3, 6, 9, 18	378...6300	0.05, 0.1, 0.25, 0.5	945...7560	126...630	0.1, 0.2, 0.4, 0.8	140G-M0K3-D63	140G-M0K4-D63
800	320...800	3, 6, 9, 18	480...8000	0.05, 0.1, 0.25, 0.5	800...8400	160...800	0.1, 0.2, 0.4, 0.8	140G-M0K3-D80	140G-M0K4-D80

§ IEC only.

Maintenance Mode (MM)

Maintenance Mode (MM) offers a preset set of protection parameters. MM allows systems testing when the molded case circuit breaker is energized or ON. This feature is a manual adjustment on the molded case circuit breaker, via a DIP switch. The following table illustrates the preset values for Maintenance Mode.

Rated Current I_n [A]	L		S		I	G	MM	
	$I_1=1 \times I_n$	$t_1=MAX \text{ sec.}$	$I_2=OFF$	$t_2=OFF \text{ sec.}$	$I_3=4 \times I_n$	$I_4=OFF$	$t_4=OFF \text{ sec.}$	$I_5=2.5 \times I_n$
600	600	18	—	—	2400	—	—	1500
630 §	630	18	—	—	2520	—	—	1575
800	800	18	—	—	3200	—	—	2000

§ IEC only.

Rated Current I_n [A]	Magnetic Trip I_m [A]	Cat. No.	
		3 Poles	4 Poles
800	10 000	140G-M6S3-D80	140G-M6S4-D80



Molded Case Switch — UL489



Page Intentionally Left Blank

Molded Case Circuit Breakers

Catalog Number Explanation — 1200 A, N-Frame

Complete Circuit Breaker Assemblies — 1200 A, N-Frame

Examples given in this section are not intended to be used for product selection. Use ProposalWorks to configure the molded case circuit breaker. Use these configurations only to select all factory-installed options for shunt trips, undervoltage release units, auxiliary contacts, and alarm contacts. Use the codes from Table h to add on to the molded case circuit breaker cat. no. selected on the previous pages to form a complete cat. no. for a complete assembly with factory-installed options.



140G - N
5
H
3 - E12 -
SD - AB

a
b
c
d
e
f
g
h

Bulletin No.	
Code	Description
140G	Global Molded Case Circuit Breaker

b

Frame/Rating	
Code	Description
N	1200 A

c

Interrupting Rating/Breaking Capacity (based on I_c at 480V)	
Code	Description
5	50 kA
6	65 kA
0	100 kA
T	Trip unit

Protection Type	
Code	Description
H	Electronic LSI-long, short & instant
I	Electronic LSI -long, short, instant & ground fault
K	Electronic LSI-MM -long, short, instant, ground fault & MM
S	Molded case switch (isolator)

e

Poles	
Code	Description
3	3 poles
4	4 poles

f

Current Range	
Code	Description
E12	1200 A rating plug, standard

g

Rating	
Code	Description
No Digit	80% Rated
Z1	100% Rated

Factory-Installed Internal Options ♦	
Shunt Trip and Undervoltage Release Units	
Code	Description
SJ	Shunt Trip, 24V AC/DC
SK	Shunt Trip, 48V AC/DC
SD	Shunt Trip, 110...120V AC/DC
SA	Shunt Trip, 220...240V AC/DC
SB	Shunt Trip, 380V AC
SC	Shunt Trip, 415...440V AC
UJ	Undervoltage Release, 24V AC/DC
UD	Undervoltage Release, 110...120V AC/DC
UA	Undervoltage Release, 220...240V AC/DC
UB	Undervoltage Release, 380...400V AC
UC	Undervoltage Release, 415...440V AC
No Digit	No Selection
Auxiliary and Alarm Contacts	
Code	Description
AJ	1 Aux., 1 Alarm Contact, 24V
AB	1 Aux., 1 Alarm Contact, 400V
FB	2 Aux., 400V

♦ Select up to two internal options: 1 for lower right side mounting (shunt trip or undervoltage release), 1 for upper right (auxiliary or alarm contact). Consult your local Rockwell automation sales office or Allen-Bradley distributor for further assistance.



Interrupting Rating/Breaking Capacity — Electronic Circuit Breakers

Interrupting Rating (50/60 Hz), UL 489/CSA C22.2-5, No. 5-02 [kA]			Breaking Capacity (50/60 Hz), IEC 60947-2										Interrupting Code†
240V	480V	600V	220V		415V		440V		500V		690V		
			I_{cu} [kA]	I_{cs} [kA]	I_{cu} [kA]	I_{cs} [kA]	I_{cu} [kA]	I_{cs} [kA]	I_{cu} [kA]	I_{cs} [kA]	I_{cu} [kA]	I_{cs} [kA]	
65	50	25	85	85	50	50	50	50	40	40	30	30	N5
100	65	50	100	100	70	70	65	65	50	50	42	32	N6
150	100	65	200	200	120	120	100	100	85	64	50	38	N0

† See table below for Cat. No. selection

Electronic LSI (Long, Short, Instantaneous) - 80% Rated

Rated Current I_n [A]	Protection Type§					Interrupting Code N5		Interrupting Code N6	
	L		S		I	Cat. No.		Cat. No.	
	$I_1=0.4...1 \times I_n$	$t_1=sec.$	$I_2=1...10 \times I_n$	$t_2=sec.$	$I_3=1...10 \times I_n$	3 Poles	4 Poles	3 Poles	4 Poles
1200	480...1200	3, 12, 24, 36, 48, 72, 108, 144	OFF...12000	0.1, 0.2, 0.3, 0.4, 0.5, 0.6, 0.7, 0.8	OFF...18000	140G-N5H3-E12	140G-N5H4-E12	140G-N6H3-E12	140G-N6H4-E12

§ Listed I_1 , I_2 , I_3 & I_4 values are based on a 1200 A Rating plug value.

Rated Current I_n [A]	Protection Type§					Interrupting Code N0	
	L		S		I	Cat. No.	
	$I_1=0.4...1 \times I_n$	$t_1=sec.$	$I_2=1...10 \times I_n$	$t_2=sec.$	$I_3=1...10 \times I_n$	3 Poles	4 Poles
1200	480...1200	3, 12, 24, 36, 48, 72, 108, 144	180...12000	0.1, 0.2, 0.3, 0.4, 0.5, 5.8, 6.6., 7.4, 8.2, 9, 10	1800...18000	140G-N0H3-E12	140G-N0H4-E12

§ Listed I_1 , I_2 , I_3 & I_4 values are based on a 1200 A Rating plug value.

Electronic LSI (Long, Short, Instantaneous, Ground Fault) - 80% Rated

Rated Current I_n [A]	Protection Type§							Interrupting Code N5		Interrupting Code N6	
	L		S		I	G		Cat. No.		Cat. No.	
	$I_1=0.4...1 \times I_n$	$t_1=sec.$	$I_2=1...10 \times I_n$	$t_2=sec.$	$I_3=1...10 \times I_n$	$I_4=0.2...1 \times I_n$	$t_4=sec.$	3 Poles	4 Poles	3 Poles	4 Poles
1200	480...1200	3, 12, 24, 36, 48, 72, 108, 144	OFF...12000	0.1, 0.2, 0.3, 0.4, 0.5, 0.6, 0.7, 0.8	OFF...18000	240...1200	0.1, 0.2, 0.4, 0.8	140G-N5I3-E12	140G-N5I4-E12	140G-N6I3-E12	140G-N6I4-E12

§ Listed I_1 , I_2 , I_3 & I_4 values are based on a 1200 A Rating plug value.

Rated Current I_n [A]	Protection Type§							Interrupting Code N0	
	L		S		I	G		Cat. No.	
	$I_1=0.4...1 \times I_n$	$t_1=sec.$	$I_2=1...10 \times I_n$	$t_2=sec.$	$I_3=1...10 \times I_n$	$I_4=0.2...1 \times I_n$	$t_4=sec.$	3 Poles	4 Poles
1200	480...1200	3, 12, 24, 36, 48, 72, 108, 144	180...12000	0.1, 0.2, 0.3, 0.4, 0.5, 5.8, 6.6., 7.4, 8.2, 9, 10	1800...18000	240...1200	0.1, 0.2, 0.4, 0.8	140G-N0I3-E12	140G-N0I4-E12

§ Listed I_1 , I_2 , I_3 & I_4 values are based on a 1200 A Rating plug value.

Electronic LSI (Long, Short, Instantaneous, Ground Fault - Maintenance Mode) - 80% Rated ★

Rated Current I_n [A]	Protection Type§							Interrupting Code N5		Interrupting Code N6	
	L		S		I	G		Cat. No.		Cat. No.	
	$I_1=0.4...1 \times I_n$	$t_1=sec.$	$I_2=1...10 \times I_n$	$t_2=sec.$	$I_3=1...10 \times I_n$	$I_4=0.2...1 \times I_n$	$t_4=sec.$	3 Poles	4 Poles	3 Poles	4 Poles
1200	480...1200	3, 12, 24, 36, 48, 72, 108, 144	180...12000	0.1, 0.2, 0.3, 0.4, 0.5, 5.8, 6.6., 7.4, 8.2, 9, 10	1800...18000	240...1200	0.1, 0.2, 0.4, 0.8	140G-N5K3-E12	140G-N5K4-E12	140G-N6K3-E12	140G-N6K4-E12

§ Listed I_1 , I_2 , I_3 & I_4 values are based on a 1200 A Rating plug value.

Rated Current I_n [A]	Protection Type§							Interrupting Code N0	
	L		S		I	G		Cat. No.	
	$I_1=0.4...1 \times I_n$	$t_1=sec.$	$I_2=1...10 \times I_n$	$t_2=sec.$	$I_3=1...10 \times I_n$	$I_4=0.2...1 \times I_n$	$t_4=sec.$	3 Poles	4 Poles
1200	480...1200	3, 12, 24, 36, 48, 72, 108, 144	180...12000	0.1, 0.2, 0.3, 0.4, 0.5, 5.8, 6.6., 7.4, 8.2, 9, 10	1800...18000	240...1200	0.1, 0.2, 0.4, 0.8	140G-N0K3-E12	140G-N0K4-E12

★ Refer to page 30 for maintenance mode adjustment.

§ Listed I_1 , I_2 , I_3 & I_4 values are based on a 1200 A Rating plug value.

Molded Case Circuit Breakers

Product Selection — 1200 A, N-Frame

Electronic LSI (Long, Short, Instantaneous) - 100% Rated

Rated Current I_n [A]	Protection Type§					Interrupting Code N5		Interrupting Code N6	
	L		S		I	Cat. No.		Cat. No.	
	$I_1=0.4...1 \times I_n$	$t_1=sec.$	$I_2=1...10 \times I_n$	$t_2=sec.$	$I_3=1...10 \times I_n$	3 Poles	4 Poles	3 Poles	4 Poles
1200	480...1200	3, 12, 24, 36, 48, 72, 108, 144	180...1200 0	0.1, 0.2, 0.3, 0.4, 0.5, 5.8, 6.6., 7.4, 8.2, 9, 10	1800...1800 00	140G-N5H3-E12-Z1	140G-N5H4-E12-Z1	140G-N6H3-E12-Z1	140G-N6H4-E12-Z1

§ Listed I_1 , I_2 , I_3 & I_4 values are based on a 1200 A Rating plug value.

Rated Current I_n [A]	Protection Type§					Interrupting Code N0	
	L		S	I	Cat. No.		
	$I_1=0.4...1 \times I_n$	$t_1=sec.$	$I_2=1...10 \times I_n$	$t_2=sec.$	$I_3=1...10 \times I_n$	3 Poles	4 Poles
1200	480...1200	3, 12, 24, 36, 48, 72, 108, 144	180...12000	0.1, 0.2, 0.3, 0.4, 0.5, 5.8, 6.6., 7.4, 8.2, 9, 10	1800...18000	140G-N0H3-E12-Z1	140G-N0H4-E12-Z1

§ Listed I_1 , I_2 , I_3 & I_4 values are based on a 1200 A Rating plug value.

Electronic LSIG (Long, Short, Instantaneous, Ground Fault) - 100% Rated

Rated Current I_n [A]	Protection Type§						Interrupting Code N5		Interrupting Code N6		
	L		S	I	G	Cat. No.		Cat. No.			
	$I_1=0.4...1 \times I_n$	$t_1=sec.$	$I_2=1...10 \times I_n$	$t_2=sec.$	$I_3=1...10 \times I_n$	$I_4=0.2...1 \times I_n$	$t_4=sec.$	3 Poles	4 Poles		
1200	480...1200	3, 12, 24, 36, 48, 72, 108, 144	180...12000	0.1, 0.2, 0.3, 0.4, 0.5, 5.8, 6.6., 7.4, 8.2, 9, 10	1800...18000	240...1200	0.1, 0.2, 0.4, 0.8	140G-N5I3-E12-Z1	140G-N5I4-E12-Z1	140G-N6I3-E12-Z1	140G-N6I4-E12-Z1

§ Listed I_1 , I_2 , I_3 & I_4 values are based on a 1200 A Rating plug value.

Rated Current I_n [A]	Protection Type§						Interrupting Code N0		
	L		S	I	G	Cat. No.			
	$I_1=0.4...1 \times I_n$	$t_1=sec.$	$I_2=1...10 \times I_n$	$t_2=sec.$	$I_3=1...10 \times I_n$	$I_4=0.2...1 \times I_n$	$t_4=sec.$	3 Poles	4 Poles
1200	480...1200	3, 12, 24, 36, 48, 72, 108, 144	180...12000	0.1, 0.2, 0.3, 0.4, 0.5, 5.8, 6.6., 7.4, 8.2, 9, 10	1800...18000	240...1200	0.1, 0.2, 0.4, 0.8	140G-N0I3-E12-Z1	140G-N0I4-E12-Z1

§ Listed I_1 , I_2 , I_3 & I_4 values are based on a 1200 A Rating plug value.

Electronic LSIG-MM (Long, Short, Instantaneous, Ground Fault - Maintenance Mode) - 100% Rated

Rated Current I_n [A]	Protection Type§						Interrupting Code N5		Interrupting Code N6		
	L		S	I	G	Cat. No.		Cat. No.			
	$I_1=0.4...1 \times I_n$	$t_1=sec.$	$I_2=1...10 \times I_n$	$t_2=sec.$	$I_3=1...10 \times I_n$	$I_4=0.2...1 \times I_n$	$t_4=sec.$	3 Poles	4 Poles		
1200	480...1200	3, 12, 24, 36, 48, 72, 108, 144	180...12000	0.1, 0.2, 0.3, 0.4, 0.5, 5.8, 6.6., 7.4, 8.2, 9, 10	1800...18000	240...1200	0.1, 0.2, 0.4, 0.8	140G-N5K3-E12-Z1	140G-N5K4-E12-Z1	140G-N6K3-E12-Z1	140G-N6K4-E12-Z1

§ Listed I_1 , I_2 , I_3 & I_4 values are based on a 1200 A Rating plug value.

Rated Current I_n [A]	Protection Type§						Interrupting Code N0		
	L		S	I	G	Cat. No.			
	$I_1=0.4...1 \times I_n$	$t_1=sec.$	$I_2=1...10 \times I_n$	$t_2=sec.$	$I_3=1...10 \times I_n$	$I_4=0.2...1 \times I_n$	$t_4=sec.$	3 Poles	4 Poles
1200	480...1200	3, 12, 24, 36, 48, 72, 108, 144	180...12000	0.1, 0.2, 0.3, 0.4, 0.5, 5.8, 6.6., 7.4, 8.2, 9, 10	1800...18000	240...1200	0.1, 0.2, 0.4, 0.8	140G-N0K3-E12-Z1	140G-N0K4-E12-Z1

§ Listed I_1 , I_2 , I_3 & I_4 values are based on a 1200 A Rating plug value.



Maintenance Mode (MM)

Maintenance Mode (MM) offers a preset set of protection parameters. MM allows systems testing when the molded case circuit breaker is energized or ON. This feature is a manual adjustment on the molded case circuit breaker, via a DIP switch. The following table illustrates the preset values for Maintenance Mode.

Rated Current I_n [A]	L		S		I	G		MM
	$I_1=1 \times I_n$	$t_1=MAX$ sec.	$I_2=OFF$	$t_2=OFF$ sec.	$I_3=4 \times I_n$	$I_4=OFF$	$t_4=OFF$ sec.	$I_5=2.5 \times I_n$
1200	480...1200	3...144	—	—	—	—	—	1800...4800

Molded Case Switch — UL489‡

Rated Current I_n [A]	Magnetic Trip [A] I_m	Cat. No.	
		3 Poles	4 Poles
1200	20 000	140G-N6S3-E12	140G-N6S4-E12



‡ Does not provide overcurrent protection; may open above 20,000 A.

Trip Units, Electronic LSI (Long, Short, Instantaneous), LSIG (Long, Short, Instantaneous, Ground Fault), LSIG-MM (Long, Short, Instantaneous, Ground Fault - Maintenance Mode)§

Rated Current I_n [A]	Protection Type	Cat. No.
		3 Poles
1200	H (LSI)	140G-NTH-E12
1200	I (LSIG)	140G-NTI-E12
1200	K (LSIG-MM)	140G-NTK-E12



§ Supplied installed with each MCCB. Cat. Nos. listed are replacement parts.

Rating Plugs

Rated Current I_n [A]	Cat. No.
400	140G-NRP-D40
600	140G-NRP-D60
800	140G-NRP-D80
1000	140G-NRP-E10
1200	140G-NRP-E12
1250 ★	140G-NRP-E125

★ IEC only.

Molded Case Circuit Breakers

Catalog Number Explanation — 1200 A, NS-Frame Stored Energy Operating Mechanism

Complete Circuit Breaker Assemblies — 1200 A, NS-Frame

Examples given in this section are not intended to be used for product selection. Use ProposalWorks to configure the molded case circuit breaker. Use these configurations only to select all factory-installed options for shunt trips, undervoltage release units, auxiliary contacts, and alarm contacts. Use the codes from Table h and i to add on to the molded case circuit breaker cat. no. selected on the previous pages to form a complete cat. no. for a complete assembly with factory-installed options.



140G – NS
5
H
3 – E12 – MJ
RK – SD

a
b
c
d
e
f
g
h

a

Bulletin No.	
Code	Description
140G	Global Molded Case Circuit Breaker

b

Frame/Rating	
Code	Description
NS	1200 A

c

Interrupting Rating/Breaking Capacity (based on I_c at 480V)	
Code	Description
5	50 kA
6	65 kA
0	100 kA
T	Trip unit

d

Protection Type	
Code	Description
H	Electronic LSI-long, short, instant
I	Electronic LSIG -long, short, instant & ground fault
K	Electronic LSIG-MM -long, short, instant, ground fault & MM

e

Poles	
Code	Description
3	3 poles
4	4 poles

f

Current Range	
Code	Description
E12	1200 A rating plug, standard

g

Remote MCCB Operation♦	
Spring Charge Motor	
Code	Description
MJ	Spring Charge Motor, 24...30V AC/DC
MK	Spring Charge Motor, 48...60V AC/DC
MD	Spring Charge Motor, 110...130V AC/DC
MA	Spring Charge Motor, 220...250V AC/DC
MC	Spring Charge Motor, 380...415V AC
Shunt Trip and Shunt Close Units	
Code	Description
RJ	Shunt Trip and Shunt Close, 24V AC/DC
RK	Shunt Trip and Shunt Close, 48V AC/DC
RD	Shunt Trip and Shunt Close, 110...120V AC/DC
RA	Shunt Trip and Shunt Close, 220...240V AC/DC
RB	Shunt Trip and Shunt Close, 380...400V AC
No Digit	No Selection

h

Factory-Installed Internal Options♦	
Shunt Trip and Undervoltage Release Units	
Code	Description
SJ	Shunt Trip, 24V AC/DC
SK	Shunt Trip, 48V AC/DC
SD	Shunt Trip, 110...120V AC/DC
SA	Shunt Trip, 220...240V AC/DC
SB	Shunt Trip, 380...400V AC
UJ	Undervoltage Release, 24V AC/DC
UD	Undervoltage Release, 110...120V AC/DC
UA	Undervoltage Release, 220...240V AC/DC
UB	Undervoltage Release, 380...400V AC
UC	Undervoltage Release, 415...440V AC
No Digit	No Selection

♦ Select one internal option for inner right mounting (shunt trip or undervoltage release). For remote control MCCB operation, select the spring charging motor and operating voltage for shunt trip and shunt close coils from table i. Consult your local Rockwell automation sales office or Allen-Bradley distributor for further assistance.

Molded Case Circuit Breakers

Product Selection — 1200 A, NS-Frame Stored Energy Operating Mechanism

Assembled Molded Case Circuit Breakers — 1200 A NS-Frame

Interrupting Rating/Breaking Capacity — Electronic Circuit Breakers

Interrupting Rating (50/60 Hz), UL 489/CSA C22.2-5, No. 5-02 [kA]			Breaking Capacity (50/60 Hz), IEC 60947-2										Interrupting Code†
240V	480V	600V	220V		415V		440V		500V		690V		
			I_{cu} [kA]	I_{cs} [kA]	I_{cu} [kA]	I_{cs} [kA]	I_{cu} [kA]	I_{cs} [kA]	I_{cu} [kA]	I_{cs} [kA]	I_{cu} [kA]	I_{cs} [kA]	
65	50	25	85	85	50	50	50	50	40	40	30	30	NS5
100	65	50	100	100	70	70	65	65	50	50	42	32	NS6
150	100	65	200	200	120	120	100	100	85	64	50	38	NS0



† See table below for Cat. No. selection

Electronic LSI (Long, Short, Instantaneous)

Rated Current I_n [A]	Protection Type§					Interrupting Code NS5		Interrupting Code NS6	
	L		S		I	Cat. No.		Cat. No.	
	$I_1=0.4...1 \times I_n$	$t_1=sec.$	$I_2=1...10 \times I_n$	$t_2=sec.$	$I_3=1...10 \times I_n$	3 Poles	4 Poles	3 Poles	4 Poles
1200†	480...1200	3, 12, 24, 36, 48, 72, 108, 144	OFF...12000	0.1, 0.2, 0.3, 0.4, 0.5, 5.8, 6.6., 7.4, 8.2, 9, 10	OFF...18000	140G-NS5H3-E12	140G-NS5H4-E12	140G-NS6H3-E12	140G-NS6H4-E12

† Rated current = 1200 A for UL Ratings.

§ Listed I_1 , I_2 , I_3 & I_4 values are based on a 1200 A Rating plug value.

Rated Current I_n [A]	Protection Type§					Interrupting Code NS0	
	L		S		I	Cat. No.	
	$I_1=0.4...1 \times I_n$	$t_1=sec.$	$I_2=1...10 \times I_n$	$t_2=sec.$	$I_3=1...10 \times I_n$	3 Poles	4 Poles
1200†	480...1200	3, 12, 24, 36, 48, 72, 108, 144	OFF...12000	0.1, 0.2, 0.3, 0.4, 0.5, 5.8, 6.6., 7.4, 8.2, 9, 10	OFF...18000	140G-NS0H3-E12	140G-NS0H4-E12

† Rated current = 1200 A for UL Ratings; 1250 A for IEC.

§ Listed I_1 , I_2 , I_3 & I_4 values are based on a 1200 A Rating plug value.

Electronic LSI (Long, Short, Instantaneous, Ground Fault)

Rated Current I_n [A]	Protection Type§							Interrupting Code NS5		Interrupting Code NS6	
	L		S		I	G	Cat. No.		Cat. No.		
	$I_1=0.4...1 \times I_n$	$t_1=sec.$	$I_2=1...10 \times I_n$	$t_2=sec.$	$I_3=1...10 \times I_n$	$I_4=0.2...1 \times I_n$	$t_4=sec.$	3 Poles	4 Poles	3 Poles	4 Poles
1200†	480...1200	3, 12, 24, 36, 48, 72, 108, 144	OFF...12000	0.1, 0.2, 0.3, 0.4, 0.5, 5.8, 6.6., 7.4, 8.2, 9, 10	OFF...18000	240...1200	0.1, 0.2, 0.4, 0.8	140G-NS5I3-E12	140G-NS5I4-E12	140G-NS6I3-E12	140G-NS6I4-E12

† Rated current = 1200 A for UL Ratings.

§ Listed I_1 , I_2 , I_3 & I_4 values are based on a 1200 A Rating plug value.

Rated Current I_n [A]	Protection Type§							Interrupting Code NS0	
	L		S		I	G	Cat. No.		
	$I_1=0.4...1 \times I_n$	$t_1=sec.$	$I_2=1...10 \times I_n$	$t_2=sec.$	$I_3=1...10 \times I_n$	$I_4=0.2...1 \times I_n$	$t_4=sec.$	3 Poles	4 Poles
1200†	480...1200	3, 12, 24, 36, 48, 72, 108, 144	OFF...12000	0.1, 0.2, 0.3, 0.4, 0.5, 5.8, 6.6., 7.4, 8.2, 9, 10	OFF...18000	240...1200	0.1, 0.2, 0.4, 0.8	140G-NS0I3-E12	140G-NS0I4-E12

† Rated current = 1200 A for UL Ratings; 1250 A for IEC.

§ Listed I_1 , I_2 , I_3 & I_4 values are based on a 1200 A Rating plug value.

Molded Case Circuit Breakers

Product Selection —1200 A, NS-Frame Stored Energy Operating Mechanism

Electronic LSI-MM (Long, Short, Instantaneous, Ground Fault - Maintenance Mode)

Rated Current I_n [A]	Protection Type§							Interrupting Code NS5		Interrupting Code NS6	
	L		S		I	G		Cat. No.		Cat. No.	
	$I_1=0.4...1 \times I_n$	$t_1=sec.$	$I_2=1...10 \times I_n$	$t_2=sec.$	$I_3=1...10 \times I_n$	$I_4=0.2...1 \times I_n$	$t_4=sec.$	3 Poles	4 Poles	3 Poles	4 Poles
1200‡	480...1200	3, 12, 24, 36, 48, 72, 108, 144	180...12000	0.1, 0.2, 0.3, 0.4, 0.5, 5.8, 6.6., 7.4, 8.2, 9, 10	1800...18000	240...1200	0.1, 0.2, 0.4, 0.8	140G-NS5K3-E12	140G-NS5K4-E12	140G-NS6K3-E12	140G-NS6K4-E12

‡ Rated current = 1200 A for UL Ratings.

§ Listed I_1 , I_2 , I_3 & I_4 values are based on a 1200 A Rating plug value.

Rated Current I_n [A]	Protection Type§							Interrupting Code NS0	
	L		S		I	G		Cat. No.	
	$I_1=0.4...1 \times I_n$	$t_1=sec.$	$I_2=1...10 \times I_n$	$t_2=sec.$	$I_3=1...10 \times I_n$	$I_4=0.2...1 \times I_n$	$t_4=sec.$	3 Poles	4 Poles
1200‡	480...1200	3, 12, 24, 36, 48, 72, 108, 144	180...12000	0.1, 0.2, 0.3, 0.4, 0.5, 5.8, 6.6., 7.4, 8.2, 9, 10	1800...18000	240...1200	0.1, 0.2, 0.4, 0.8	140G-NS0K3-E12	140G-NS0K4-E12

‡ Rated current = 1200 A for UL Ratings; 1250 A for IEC.

§ Listed I_1 , I_2 , I_3 & I_4 values are based on a 1200 A Rating plug value.

Maintenance Mode (MM)

Maintenance Mode (MM) offers a preset set of protection parameters. MM allows systems testing when the molded case circuit breaker is energized or ON. This feature is a manual adjustment on the molded case circuit breaker, via a DIP switch. The following table illustrates the preset values for Maintenance Mode.

Rated Current I_n [A]	L		S		I	G		MM
	$I_1=1 \times I_n$	$t_1=MAX \text{ sec.}$	$I_2=OFF$	$t_2=OFF \text{ sec.}$	$I_3=4 \times I_n$	$I_4=OFF$	$t_4=OFF \text{ sec.}$	$I_5=2.5 \times I_n$
1200	480...1200	3...144	—	—	—	—	—	1800...4800

Trip Units, Electronic LSI (Long, Short, Instantaneous), LSI-MM (Long, Short, Instantaneous, Ground Fault), LSI-MM (Long, Short, Instantaneous, Ground Fault -Maintenance Mode)§

Rated Current I_n [A]	Protection Type	Cat. No.
		3 Poles
1200	H (LSI)	140G-NTH-E12
1200	I (LSIG)	140G-NTI-E12
1200	K (LSIG-MM)	140G-NTK-E12



§ Supplied installed with each MCCB. Cat. Nos. listed are replacement parts.

Rating Plugs

Rated Current I_n [A]	Cat. No.
400	140G-NRP-D40
600	140G-NRP-D60
800	140G-NRP-D80
1000	140G-NRP-E10
1200	140G-NRP-E12
1250 ★	140G-NRP-E125

★ IEC only.

Molded Case Circuit Breakers

Product Selection — 1200 A, NS-Frame Stored Energy Operating Mechanism

Page Intentionally Left Blank

Molded Case Circuit Breakers

Catalog Number Explanation — 2000...3000 A, R-Frame Stored Energy Operating Mechanism

Complete Circuit Breaker Assemblies — 2000...3000 A, R-Frame

Examples given in this section are not intended to be used for product selection. Use ProposalWorks to configure the molded case circuit breaker. Use these configurations only to select all factory-installed options for shunt trips, undervoltage release units, auxiliary contacts, and alarm contacts. Use the codes from Table h and i to add on to the molded case circuit breaker cat. no. selected on the previous pages to form a complete cat. no. for a complete assembly with factory-installed options.



140G – R 12 I 3 – E25 – Z1 – MD – RD – SB

a b c d e f g h i

a

Bulletin No.	
Code	Description
140G	Global Molded Case Circuit Breaker

b

Frame/Rating	
Code	Description
R	2500...3000 A

c

Interrupting Rating/Breaking Capacity (based on I_c at 480V)	
Code	Description
12	125 kA

d

Protection Type	
Code	Description
I	Electronic LSIG -Long, short, instant & ground fault
S	Molded case switch (isolator)

e

Poles	
Code	Description
3	3 poles
4	4 poles

f

Current Range	
Code	Description
E20	2000 A rating plug, installed
E25	2500 A rating plug, installed
E30	3000 A rating plug, installed

g

Rating	
Code	Description
No Digit	80% Rated
Z1	100% Rated

h

Remote MCCB Operation♦	
Spring Charge Motor	
Code	Description
MJ	Spring Charge Motor, 24...30V AC/DC
MK	Spring Charge Motor, 48...60V AC/DC
MD	Spring Charge Motor, 110...130V AC/DC
MA	Spring Charge Motor, 220...250V AC/DC
Shunt Trip and Shunt Close Units	
Code	Description
RJ	Shunt Trip and Shunt Close, 24V AC/DC
RK	Shunt Trip and Shunt Close, 48V AC/DC
RD	Shunt Trip and Shunt Close, 110...120V AC/DC
RA	Shunt Trip and Shunt Close, 220...240V AC/DC
RB	Shunt Trip and Shunt Close, 380...440V AC
No Digit	No Selection

i

Factory-Installed Internal Options♦	
Shunt Trip and Undervoltage Release Units	
Code	Description
SJ	Shunt Trip, 24V DC
SK	Shunt Trip, 48V AC/DC
SD	Shunt Trip, 110...120V AC/DC
SA	Shunt Trip, 220...240V AC/DC
SB	Shunt Trip, 380...440V AC
SC	Shunt Trip, 480...525V AC
UJ	Undervoltage Release, 24V DC
UD	Undervoltage Release, 110...120V AC/DC
UA	Undervoltage Release, 220...240V AC/DC
UB	Undervoltage Release, 380...400V AC
UC	Undervoltage Release, 440V AC
No Digit	No Selection

♦ Select up to four internal options: 3 for left side mounting, 1 for right. Consult your local Rockwell automation sales office or Allen-Bradley distributor for further assistance.



Molded Case Circuit Breakers

Product Selection — 2000...3000 A, R-Frame Stored Energy Operating Mechanism

Assembled Molded Case Circuit Breakers — 2000...3000 A R-Frame

Interrupting Rating/Breaking Capacity — Electronic Circuit Breakers



Interrupting Rating (50/60 Hz), UL 489/CSA C22.2-5, No. 5-02 [kA]			Breaking Capacity (50/60 Hz), IEC 60947-2										Interrupting Code‡
240V	480V	600V	220V		415V		440V		500V		690V		
			I_{cu} [kA]	I_{cs} [kA]	I_{cu} [kA]	I_{cs} [kA]	I_{cu} [kA]	I_{cs} [kA]	I_{cu} [kA]	I_{cs} [kA]	I_{cu} [kA]	I_{cs} [kA]	
125	125	100	130	97.5	80	60	80	60	40	40	40	40	R12

‡ See table below for Cat. No. selection

Electronic LSI (Long, Short, Instantaneous, Ground Fault) - 80% Rated

Rated Current I_n [A]	Protection Type							Interrupting Code R12	
	L		S		I	G		Cat. No.	
	$I_1=0.4...1 \times I_n$	$t_1=sec.$	$I_2=1...10 \times I_n$	$t_2=sec.$	$I_3=1...10 \times I_n$	$I_4=0.2...1 \times I_n$	$t_4=sec.$	3 Poles	4 Poles
2000‡	800...2000	3, 12, 24, 36, 48, 72, 108, 144	1200...20000	0.1, 0.2, 0.3, 0.4, 0.5, 5.8, 6.6, 7.4, 8.2, 9, 10	3000...30000	400...2000	0.1, 0.2, 0.4, 0.8	140G-R12I3-E20	140G-R12I4-E20
2500‡	1000...2500	3, 12, 24, 36, 48, 72, 108, 144	1500...25000	0.1, 0.2, 0.3, 0.4, 0.5, 5.8, 6.6, 7.4, 8.2, 9, 10	3750...37500	500...2500	0.1, 0.2, 0.4, 0.8	140G-R12I3-E25	140G-R12I4-E25
3000‡	1200...3000	3, 12, 24, 36, 48, 72, 108, 144	1800...30000	0.1, 0.2, 0.3, 0.4, 0.5, 5.8, 6.6, 7.4, 8.2, 9, 10	4500...45000	600...3000	0.1, 0.2, 0.4, 0.8	140G-R12I3-E30	140G-R12I4-E30

‡ Listed I_1 , I_2 , I_3 & I_4 values are based on a 2000, 2500 & 3000 A rating plug value, respectively.

Electronic LSI (Long, Short, Instantaneous, Ground Fault) - 100% Rated

Rated Current I_n [A]	Protection Type							Interrupting Code R12	
	L		S		I	G		Cat. No.	
	$I_1=0.4...1 \times I_n$	$t_1=sec.$	$I_2=1...10 \times I_n$	$t_2=sec.$	$I_3=1...10 \times I_n$	$I_4=0.2...1 \times I_n$	$t_4=sec.$	3 Poles	4 Poles
2000§	1000...2500	3, 12, 24, 36, 48, 72, 108, 144	1500...25000	0.1, 0.2, 0.3, 0.4, 0.5, 5.8, 6.6, 7.4, 8.2, 9, 10	3750...37500	500...2500	0.1, 0.2, 0.4, 0.8	140G-R12I3-E20-Z1	140G-R12I4-E20-Z1
2500§	1000...2500	3, 12, 24, 36, 48, 72, 108, 144	1500...25000	0.1, 0.2, 0.3, 0.4, 0.5, 5.8, 6.6, 7.4, 8.2, 9, 10	3750...37500	500...2500	0.1, 0.2, 0.4, 0.8	140G-R12I3-E25-Z1	140G-R12I4-E25-Z1
3000§	1200...3000	3, 12, 24, 36, 48, 72, 108, 144	1800...30000	0.1, 0.2, 0.3, 0.4, 0.5, 5.8, 6.6, 7.4, 8.2, 9, 10	4500...45000	600...3000	0.1, 0.2, 0.4, 0.8	140G-R12I3-E30-Z1	140G-R12I4-E30-Z1

§ Listed I_1 , I_2 , I_3 & I_4 values are based on a 2000, 2500 & 3000 A rating plug value, respectively.

Molded Case Switch — UL489§

Rated Current I_n [A]	Magnetic Trip I_m [A]	Cat. No.	
		3 Poles	4 Poles
2500	25 000	140G-R12S3-E25	140G-R12S4-E25

§ Does not provide overcurrent protection; may open at 40,000 A.



Rating Plugs

Rated Current I_n [A]	Cat. No.
1000	140G-NRP-E10
1200	140G-NRP-E12
1600	140G-RRP-E16
2000	140G-RRP-E20
2500	140G-RRP-E25
3000	140G-RRP-E30



Cat. No. 140MG-H8P-D12

Bulletin 140MG Motor Circuit Protectors

- Current range 0.16...1200 A
- UL Listed/Recognized for motor loads
 - Short-circuit protection
 - Overload protection must be provided separately
- Visible trip indication
- High current limiting
- High switching capacity

The Bulletin 140MG Motor Circuit Protectors provide short circuit protection for individual motor loads. Factory-installed internal accessories make installation and wiring easy.

Your order must include: cat. no. of the Motor Circuit Protector or Motor Protection Circuit Breaker selected and, if required, cat. no. of any accessories.

Table of Contents

Product Selection 43
 Accessories..... 50
 Specifications..... 64
 Approximate
 Dimensions..... 68

Standards Compliance

IEC 60947-2
 UL489
 CSA22.2, No. 5

Certifications

CE Marked
 CSA Certified (File No. LR1234)
 UR Recognized (File No. E224135)
 CCC

General Information

Motor Circuit Protectors may provide the following protective and control functions.

- Disconnect for Motor Branch Circuit
- Branch-Circuit, Short-Circuit Protection (Magnetic Protection)
- Switching (Manual)

In North America, electrical codes require that an individual Motor Branch Circuit be protected by a UL/CSA Listed Fuse, Circuit Breaker or Self-Protected Combination Motor Controller.

140MG-G, H, I, J, K, M and N Frames:

The 140MG-G, H, I, J, K, M and N frame Motor Circuit Protectors are UL/CSA Recognized as Circuit Breakers. They are UL/CSA Recognized, rather than UL/CSA Listed, since they only provide short circuit protection and not thermal overload protection for the motor.

Motor Circuit Protectors

- Short-Circuit Protection — Magnetic Trip
- Overload Protection — None (Magnetic Trip Only)

Rated Operational Current (I_e) [A]	Magnetic Trip Current [A]									3-phase Hp Ratings★				Max. kW, 3-Phase — AC-3★				Cat. No.‡	
	Cam Setting									200V	230V	460V	575V	230V	400/415V	500V	690V		
	A	B	C	D	E	F	G	H	I										
G-Frame																			
3	9	12	15	18	21	24	27	30	33	0.5	0.5	1.5	2	0.6	0.75	1.1	1.5	140MG-G8P-B30	
7	21	28	35	42	49	26	63	70	77	1.5	2	3	5	1.1	2.2	3	4	140MG-G8P-B70	
15	45	60	75	90	105	120	135	150	165	3	3	10	10	3	5.5	7.5	11	140MG-G8P-C15	
30	90	120	150	180	210	240	270	300	330	7.5	10	20	25	5.5	11	15	22	140MG-G8P-C30	
50	150	200	250	300	350	400	450	500	550	15	15	30	40	11	22	22	37	140MG-G8P-C50	
70	210	280	350	420	490	560	630	700	770	20	25	50	60	15	30	37	55	140MG-G8P-C70	
80	240	320	400	480	560	640	720	800	880	25	30	60	75	22	45	55	75	140MG-G8P-C80	
100	300	400	500	600	700	800	900	1000	1100	30	30	75	100	30	55	75	110	140MG-G8P-D10	
125	375	500	625	750	875	1000	1125	1250	1375	40	40	100	125	22	45	55	90	140MG-G8P-D12	
H-Frame																			
3	9	12	15	18	21	24	27	30	33	0.5	0.5	1.5	2	0.6	0.75	1.1	1.5	140MG-H8P-B30	
7	21	28	35	42	49	26	63	70	77	1.5	2	3	5	1.1	2.2	3	4	140MG-H8P-B70	
15	45	60	75	90	105	120	135	150	165	3	3	10	10	3	5.5	7.5	11	140MG-H8P-C15	
30	90	120	150	180	210	240	270	300	330	7.5	10	20	25	5.5	11	15	22	140MG-H8P-C30	
50	150	200	250	300	350	400	450	500	550	15	15	30	40	11	22	22	37	140MG-H8P-C50	
70	210	280	350	420	490	560	630	700	770	20	25	50	60	15	30	37	55	140MG-H8P-C70	
80	240	320	400	480	560	640	720	800	880	25	30	60	75	22	45	55	75	140MG-H8P-C80	
100	300	400	500	600	700	800	900	1000	1100	30	30	75	100	30	55	75	110	140MG-H8P-D10	
125	625	703	781	859	938	1016	1094	1172	1250	40	40	100	125	22	45	55	90	140MG-H8P-D12	
I-Frame																			
100	600	675	750	825	900	975	1050	1125	1200	30	30	75	100	22	37	45	55	140MG-I8P-D10	
110	660	743	825	908	990	1073	1150	1238	1320	30	40	75	100	22	45	55	90	140MG-I8P-D11	
125	750	844	938	1031	1125	1219	1313	1406	1500	40	40	100	125	22	45	55	90	140MG-I8P-D12	
150	900	1013	1125	1238	1350	1463	1575	1688	1800	50	50	100	150	30	55	75	110	140MG-I8P-D15	
J-Frame																			
150	750	844	938	1031	1125	1219	1313	1406	1500	50	50	100	150	30	55	75	110	140MG-J8P-D15	
175	875	984	1094	1203	1313	1422	1531	1641	1750	50	60	125	150	37	55	90	132	140MG-J8P-D17	
200	1000	1125	1250	1375	1500	1625	1750	1875	2000	60	75	150	200	45	75	90	132	140MG-J8P-D20	
225	1125	1266	1406	1547	1688	1828	1969	2109	2250	75	75	150	200	55	90	110	160	140MG-J8P-D22	
250	1250	1406	1563	1719	1875	2031	2188	2344	2500	75	100	200	250	55	90	132	160	140MG-J8P-D25	

★ The Hp and kW ratings shown are for reference only. They allow for a magnetic trip setting of at least up to 13X the motor FLA. However, the final selection of the MCP should be made based on motor full load current and the requirements of local electrical codes.

‡ The interrupting rating for MCPs is dependent upon the controller used. Please contact your local Rockwell Automation sales office or Allen-Bradley distributor for further information.

Rated Operational Current (I_e) [A]	Magnetic Trip Current [A]	3-phase Hp Ratings★				Max. kW, 3-Phase — AC-3★				Cat. No.‡
	I_3 (adjustable) [A]	200V	230V	460V	575V	230V	400/415V	500V	690V	
K-Frame										
300	300...3000	75	75	150	200	55	110	160	200	140MG-K8P-D30
400	400...4000	100	100	250	300	90	160	200	250	140MG-K8P-D40
M-Frame										
600	600...6000	125	150	300	400	110	200	250	355	140MG-M8P-D60
800	800...8000	150	200	400	500	160	250	355	500	140MG-M8P-D80
N-Frame										
1200§	1200...12000	250	300	600	700	200	250	500	710	140MG-N8P-E12

★ The Hp and kW ratings shown are for reference only. They allow for a magnetic trip setting of at least up to 13X the motor FLA. However, the final selection of the MCP should be made based on motor full load current and the requirements of local electrical codes.

‡ The interrupting rating for MCPs is dependent upon the controller used. Please contact your local Rockwell Automation sales office or Allen-Bradley distributor for further information.

§ I_3 is adjustable between 1...10x motor FLA. Values based on 1200 A rating plug.

Motor Circuit Protectors

Catalog Number Explanation — 125A, G-Frame & 150 A, I-Frame

Complete Motor Circuit Protector Assemblies with Factory-Installed Options

Examples given in this section are not intended to be used for product selection. Use these configurations only to select all factory-installed options for shunt trips, undervoltage release units, auxiliary contacts, and alarm contacts. Use the codes from Table f to add on to the motor circuit protector cat. no. selected on the previous pages to form a complete cat. no. for a complete assembly with factory-installed options.



140MG – I 8 P – C70 – SD – KA

a b c d e f

a

Bulletin No.	
Code	Description
140MG	Global Motor Circuit Protector

b

Frame/Rating	
Code	Description
G	125 A
I	150 A

c

Interrupting Rating/Breaking Capacity (based on I_c at 480V)	
Code	Description
8	High break

d

Protection Type	
Code	Description
P	Adjustable magnetic only (less than $13 \times I_n$)

e

Current Range	
Code	Description
B	e.g., D30 = 3 A
C	e.g., C30 = 30 A
D	e.g., D12 = 120 A

f

Factory-Installed Internal Options ♦	
Shunt Trip and Undervoltage Release Units	
Code	Description
SJ	Shunt Trip, 24...30V AC/DC
SK	Shunt Trip, 48...60V AC/DC
SD	Shunt Trip, 110...127V AC; 110...125V DC
SA	Shunt Trip, 220...240V AC; 220...250V DC
SB	Shunt Trip, 380...440V AC
SC	Shunt Trip, 480...525V AC
UJ	Undervoltage Release, 24...30V AC/DC
UR	Undervoltage Release, 48V AC/DC
UD	Undervoltage Release, 110...127V AC; 110...125V DC
UA	Undervoltage Release, 220...240V AC; 220...250V DC
UB	Undervoltage Release, 380...440V AC
UC	Undervoltage Release, 480...525V AC
No Digit	No Selection
Auxiliary and Alarm Contacts	
Code	Description
KA	1 Aux. Contact, 250V
TA	1 Alarm Contact, 250V
AA	1 Aux., 1 Alarm Contact, 250V
BA	2 Aux., 1 Alarm Contact, 250V
AJ	1 Aux., 1 Alarm Contact, 24V

♦ Select up to two internal options: 1 for left side mounting (shunt trip or undervoltage release), 1 for right (auxiliary or alarm contact). Consult your local Rockwell automation sales office or Allen-Bradley distributor for further assistance.

Motor Circuit Protectors

Catalog Number Explanation — 125A, H-Frame & 250 A, J-Frame

Complete Motor Circuit Protector Assemblies with Factory-Installed Options

Examples given in this section are not intended to be used for product selection. Use these configurations only to select all factory-installed options for shunt trips, undervoltage release units, auxiliary contacts, and alarm contacts. Use the codes from Table f to add on to the motor circuit protector cat. no. selected on the previous pages to form a complete cat. no. for a complete assembly with factory-installed options.



140MG –
J
8
P
–
D15
–
SD
–
AA

a
b
c
d
e
f

a

Bulletin No.	
Code	Description
140MG	Global Motor Circuit Protector

b

Frame/Rating	
Code	Description
H	125 A
J	250 A

c

Interrupting Rating/Breaking Capacity (based on I_c at 480V)	
Code	Description
8	High break

d

Protection Type	
Code	Description
P	Adjustable magnetic only (less than $13 \times I_n$)

e

Current Range	
Code	Description
B	e.g., B30 = 3 A
C	e.g., C30 = 30 A
D	e.g., D20 = 200 A

f

Factory-Installed Internal Options ♦	
Shunt Trip and Undervoltage Release Units	
Code	Description
SJ	Shunt Trip, 24...30V AC/DC
SK	Shunt Trip, 48...60V AC/DC
SD	Shunt Trip, 110...127V AC; 110...125V DC
SA	Shunt Trip, 220...240V AC; 220...250V DC
SB	Shunt Trip, 380...440V AC
SC	Shunt Trip, 480...525V AC
UJ	Undervoltage Release, 24...30V AC/DC
UR	Undervoltage Release, 48V AC/DC
UD	Undervoltage Release, 110...127V AC; 110...125V DC
UA	Undervoltage Release, 220...240V AC; 220...250V DC
UB	Undervoltage Release, 380...440V AC
UC	Undervoltage Release, 480...525V AC
No Digit	No Selection
Auxiliary and Alarm Contacts, Trip Units	
Code	Description
KA	1 Aux. Contact, 250V
TA	1 Alarm Contact, 250V
AA	1 Aux., 1 Alarm Contact, 250V
BA	2 Aux., 1 Alarm Contact, 250V
DA	1 Trip Unit Alarm Contact, 250V
FB	2 Aux. Contacts, 400V
AB	1 Aux., 1 Alarm Contact, 400V
AJ	1 Aux., 1 Alarm Contact, 24V
DJ	1 Trip Unit Alarm Contact, 24V

♦ Select up to two internal options: 1 for left side mounting (shunt trip or undervoltage release), 1 for right (auxiliary or alarm contact). Consult your local Rockwell automation sales office or Allen-Bradley distributor for further assistance.

Motor Circuit Protectors

Catalog Number Explanation — 400 A, K-Frame & 800 A, M-Frame

Complete Motor Circuit Protector Assemblies with Factory-Installed Options

Examples given in this section are not intended to be used for product selection. Use these configurations only to select all factory-installed options for shunt trips, undervoltage release units, auxiliary contacts, and alarm contacts. Use the codes from Table f to add on to the motor circuit protector cat. no. selected on the previous pages to form a complete cat. no. for a complete assembly with factory-installed options.



140MG – M
8
P
– D40 – SD
– AA

a
b
c
d
e
f

a

Bulletin No.	
Code	Description
140MG	Global Motor Circuit Protector

b

Frame/Rating	
Code	Description
K	400 A
M	800 A

c

Interrupting Rating/Breaking Capacity (based on I_c at 480V)	
Code	Description
8	High break

d

Protection Type	
Code	Description
P	Adjustable magnetic only (less than $13 \times I_n$)

e

Current Range	
Code	Description
D30	e.g., 300 A
D80	e.g., 800 A
Blank	Frame only

f

Factory-Installed Internal Options ♦	
Shunt Trip and Undervoltage Release Units	
Code	Description
SJ	Shunt Trip, 24...30V AC/DC
SK	Shunt Trip, 48...60V AC/DC
SD	Shunt Trip, 110...127V AC; 110...125V DC
SA	Shunt Trip, 220...240V AC; 220...250V DC
SB	Shunt Trip, 380...440V AC
SC	Shunt Trip, 480...525V AC
UJ	Undervoltage Release, 24...30V AC/DC
UR	Undervoltage Release, 48V AC/DC
UD	Undervoltage Release, 110...127V AC; 110...125V DC
UA	Undervoltage Release, 220...240V AC; 220...250V DC
UB	Undervoltage Release, 380...440V AC
UC	Undervoltage Release, 480...525V AC
No Digit	No Selection
Auxiliary and Alarm Contacts	
Code	Description
AA	1 Aux., 1 Alarm Contact, 250V
CA	3 Aux., 1 Alarm Contact, 250V
AB	1 Aux., 1 Alarm Contact, 400V
FB	2 Aux. Contacts, 400V
CJ	3 Aux., 1 Alarm Contact, 24V

♦ Select up to two internal options: 1 for left side mounting (shunt trip or undervoltage release), 1 for right (auxiliary or alarm contact). Consult your local Rockwell automation sales office or Allen-Bradley distributor for further assistance.



Complete Motor Circuit Protector Assemblies with Factory-Installed Options

Examples given in this section are not intended to be used for product selection. Use these configurations only to select all factory-installed options for shunt trips, undervoltage release units, auxiliary contacts, and alarm contacts. Use the codes from Table f to add on to the motor circuit protector cat. no. selected on the previous pages to form a complete cat. no. for a complete assembly with factory-installed options.



140MG – N 8 P – E12 – SD – AB

a b c d e f

a

Bulletin No.	
Code	Description
140MG	Global Motor Circuit Protector

b

Frame/Rating	
Code	Description
N	1200 A

c

Interrupting Rating/Breaking Capacity (based on I_c at 480V)	
Code	Description
8	High break

d

Protection Type	
Code	Description
P	Adjustable magnetic only (less than $13 \times I_n$)

e

Current Range	
Code	Description
E12	1200 A

f

Factory-Installed Internal Options ♦	
Shunt Trip and Undervoltage Release Units	
Code	Description
SJ	Shunt Trip, 24V AC/DC
SK	Shunt Trip, 48V AC/DC
SD	Shunt Trip, 110...120V AC/DC
SA	Shunt Trip, 220...240V AC/DC
SB	Shunt Trip, 380V AC
SC	Shunt Trip, 415...440V AC
UJ	Undervoltage Release, 24V AC/DC
UD	Undervoltage Release, 110...120V AC/DC
UA	Undervoltage Release, 220...240V AC/DC
UB	Undervoltage Release, 380...400V AC
UC	Undervoltage Release, 415...440V AC
No Digit	No Selection
Auxiliary and Alarm Contacts	
Code	Description
AJ	1 Aux., 1 Alarm Contact, 24V
AB	1 Aux., 1 Alarm Contact, 400V
FB	2 Aux., 400V

♦ Select one internal option for inner right mounting (shunt trip or undervoltage release). For remote control MCCB operation, select the spring charging motor and operating voltage for shunt trip and shunt close coils from table i. Consult your local Rockwell automation sales office or Allen-Bradley distributor for further assistance.

Motor Protection Circuit Breakers

Product Selection — 10...150 A, H- and J-Frame

Motor Protection Circuit Breakers

Standards Compliance

- EN 60947-1, -2
- UL 489 (Pending)
- CSA 22.2, No. 5 (Pending)

Table of Contents

Product Selection this page

Accessories 50

Specifications 64

Approximate Dimensions—H-Frame..... 76

Approximate Dimensions—J-Frame..... 92

Interrupting Rating/Breaking Capacity

Interrupting Rating (50/60 Hz), UL 489/CSA C22.2-5, No. 5-02 [kA]			Breaking Capacity (50/60 Hz), IEC 60947-2								Breaking Capacity (DC), IEC 60947-2 §			
240V	480V	600V	220V★		415V		440V★		690V		250V DC (2-pole in series)		500V DC (3-pole in series)	
			I_{cu} [kA]	I_{cs} [% I_{cu}]	I_{cu} [kA]	I_{cs} [% I_{cu}]	I_{cu} [kA]	I_{cs} [% I_{cu}]	I_{cu} [kA]	I_{cs} [% I_{cu}]	I_{cu} [kA]	I_{cs} [% I_{cu}]	I_{cu} [kA]	I_{cs} [% I_{cu}]
150	65	25	100	100	70	100	65	100	15	100	70	100	70	100

★ These ratings have not been tested for the CCC listing.

Max. Rated Motor Current (I_n) [A]	L (Motor FLC)		U	I	Cat. No.‡
	$I_1 = 0.4...1 \times I_n$	Trip Class	50% of I_1	$I_n = \text{Instantaneous}$	
H-Frame					
25	10...25	3E, 5E, 10E, 20E (approx. 2...20 s)	ON or OFF	Adjustable from 6...13 x I_n	140MG-H8E-C25
60	24...60				140MG-H8E-C60
100	40...100				140MG-H8E-D10
J-Frame					
40	16...40	3E, 5E, 10E, 20E (approx. 2...20 s)	ON or OFF	Adjustable from 6...13 x I_n	140MG-J8E-C40
60	24...60				140MG-J8E-C60
100	40...100				140MG-J8E-D10
150	60...150				140MG-J8E-D15

‡ Select the Motor Protection Circuit Breaker based on the motor FLC.

Page Intentionally Left Blank

Bulletin 140G
Molded Case Circuit Breakers
 Accessories

Accessories Table of Contents

Description	Page	Description	Page
Internal Electrical Accessories			
Auxiliary/Alarm Contact (AX/AL).....	50	Undervoltage Release (UVR)	53
Shunt Trip (SNT).....	52	Residual Current Release Module.....	53
Shunt Close (SNC).....	52	Current Transformer for Neutral Current	54
Mechanical Accessories			
Terminal Lugs.....	54	Terminal Covers	56
Extended Terminals.....	55	Variable Depth Rotary Operating Kits	58
Spreader Terminals.....	55	Flex Cable Operators.....	59
Rear Terminals.....	56	Direct Rotary Operators.....	60
Phase Barriers	56	Motor Operators	60

Bulletin 1494V Variable Depth Flange-Mounted Circuit Breaker Operating Mechanism

Components 61

Additional Accessories..... 62

Replacement Parts..... 63

Internal Electrical Accessories

Auxiliary/Alarm Contact (AX/AL)

Auxiliary and alarm contacts are supplied in multiple variations for customer application.

- Auxiliary Contacts (AX) : Indicate ON/OFF status of the MCCB.
- Alarm Contacts (AL): Indicate trip status of the MCCB. Alarm trip can be initiated by pressing the test button on the molded case circuit breaker, a trip due to overcurrent, short circuit; or trip due to residual current, shunt, or undervoltage release signals.
- Thermal Trip Contacts (TU): Trips only when the MCCB has detected an overcurrent, short-circuit, or protection trip. H- and J-Frame MCCBs have a button to test this feature. Available only for H, J, N, NS, and R frames.

These contacts are installed by removing the MCCB cover and accessing right-side pockets within the breaker with snap-in mounting provisions. Frames G...M are supplied with pig tail wiring, with each terminal wire marked. Frames N, NS, and R are wired internal to the breaker and are terminated for connection using a 3-pin quick connector.

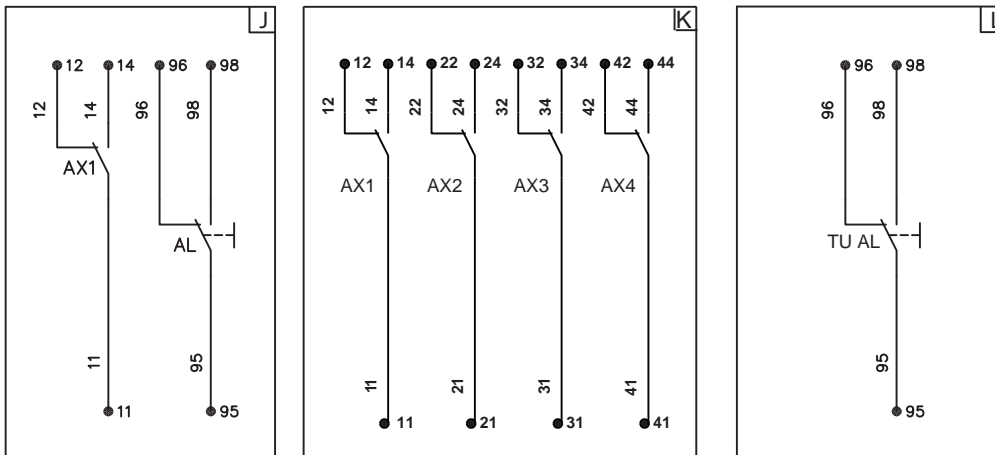
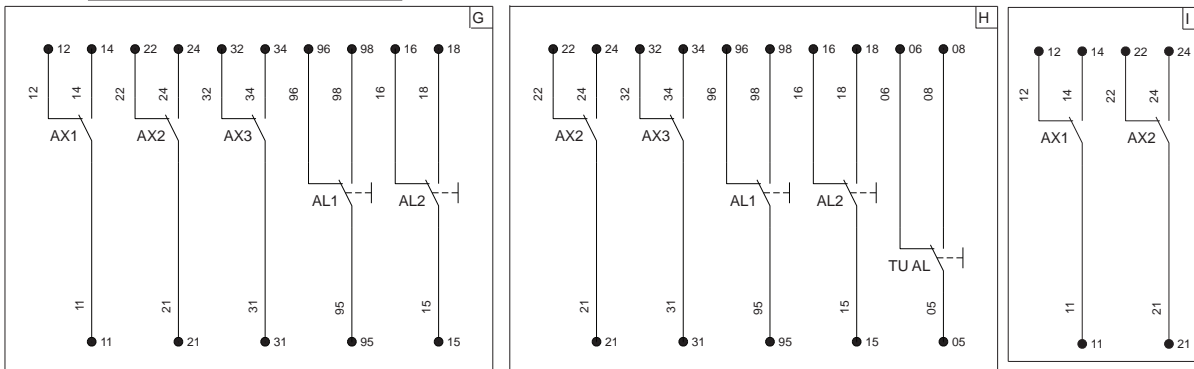
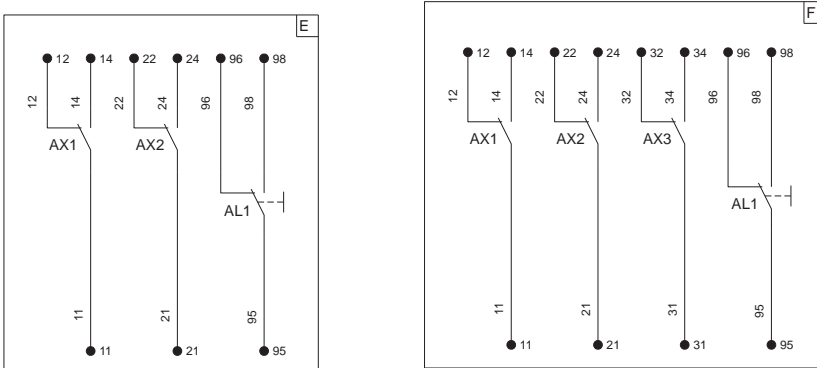
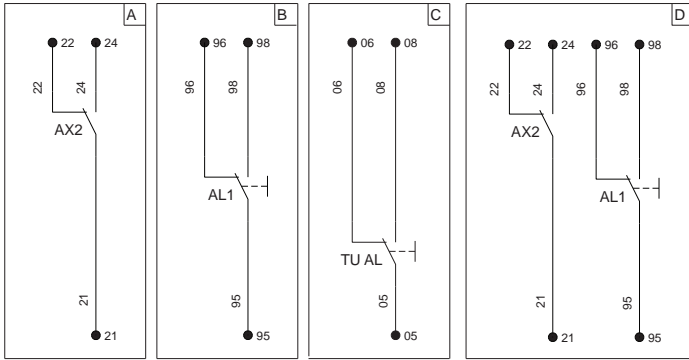
Description	Designation	Diagram	Frame Size	Cat. No.
(1) TU Alarm Contact 250V	TU AL	C	H, J	140G-H-EA1TA
(1) Auxiliary (1) Alarm Contact 250V	AX2/AL1	D	G, H, I, J	140G-G-EA1R1A
(2) Auxiliary (1) Alarm Contact 250V	AX1/AX2/AL1	E	G, H, I, J	140G-G-EA2R1A
(3) Auxiliary (1) Alarm Contact 250V	AX1/AX2/AX3/AL1	F	H, I, J	140G-H-EA3R1A
(3) Auxiliary (2) Alarm Contact 250V	AX1/AX2/AX3/AL1/AL2	G	H, J	140G-H-EA3R2A
(2) Auxiliary (2) Alarm (1) TU AL Contact 250V	AX2/AX3/AL1/AL2/TU AL	H	H, J	140G-H-EA2R2TA
(1) Auxiliary Contact 250V	AX2	A	G, H, I, J	140G-G-EA1A
(1) Auxiliary Contact 250V or (1) Alarm Contact 250V	AX2	A	G, H, I, J	140G-G-EA1AU★
	AL1	B		
(1) Auxiliary Contact 24V	AX2	A	G, H, I, J	140G-G-EA1J★
(1) TU Alarm Contact 24V	TU AL	C	H, J	140G-H-EA1TJ
(1) Auxiliary (1) Alarm Contact 24V	AX2/AL1	D	G, H, I, J	140G-G-EA1R1J
(3) Auxiliary (1) Alarm Contact, 24V	AX1/AX2/AX3/AL1	F	H, I, J	140G-H-EA3R1J
(1) Auxiliary (1) Alarm Contact, 400V	AX2/AL1	D	H, J	140G-H-EA1R1B
(2) Auxiliary Contact 400V	AX1/AX2	I	H, J	140G-H-EA2B
(1) Auxiliary (1) Alarm Contact 250V	AX1/AL1	J	K, M	140G-K-EA1R1A
(3) Auxiliary (1) Alarm Contact 250V	AX1/AX2/AX3/AL1	F	K, M	140G-K-EA3R1A
(3) Auxiliary (1) Alarm Contact 24V	AX1/AX2/AX3/AL1	F	K, M	140G-K-EA3R1J
(1) Auxiliary (1) Alarm Contact 400V	AX1/AL1	J	K, M	140G-K-EA1R1B
(2) Auxiliary Contact 400V	AX1/AX2	I	K, M	140G-K-EA2B
(1) Auxiliary (1) Alarm Contact 24V	AX2/AL1	D	N	140G-N-EA1R1J
(2) Auxiliary Contact 24V	AX1/AX2	I	N, NS	140G-N-EA2J
(1) Auxiliary (1) Alarm Contact 400V	AX2/AL1	D	N	140G-N-EA1R1B
(2) Auxiliary Contact 400V	AX1/AX2	I	N, NS	140G-N-EA2B
(1) TU Alarm Contact 250V	TU AL	C	N, NS	140G-N-EA1TA
(4) Auxiliary Contact 24V	AX1/AX2/AX3/AX4	K	R	140G-R-EA4J
(4) Auxiliary Contact 400V	AX1/AX2/AX3/AX4	K	R	140G-R-EA4A
(1) TU Alarm Contact 250V	TU AL	L	R	140G-R-EA1TA



Representative Photo

★ This contact is supplied with unmarked wires. Contact can function as either an auxiliary or alarm contact, depending on connection method.


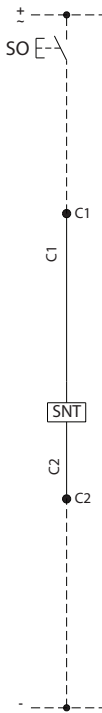


Diagrams



Bulletin 140G
Molded Case Circuit Breakers
 Accessories

Shunt Trip (SNT)


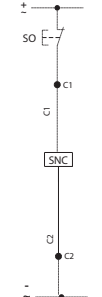
- Allows for remote tripping of the MCCB by applying control voltage to the shunt trip coil.
- Frames G, H, I, J, K, and M are supplied with pig-tail wiring (each terminal wire is marked).
- Frame N, NS, and R are wired internal to the breaker and terminated for connection using a 3-pin quick connector.

Description		Diagram	Frame Size	Cat. No.
 <p>Representative Photo</p>	12V DC		G, H, I, J	140G-G-SNR
	24...30V AC/DC			140G-G-SNJ
	48...60V AC/DC			140G-G-SNKY
	110...127V AC/110...125V DC			140G-G-SND
	220...240V AC/220...250V DC			140G-G-SNA
	380...440V AC			140G-G-SNB
 <p>Representative Photo</p>	480...525V AC		140G-G-SNC	
	12V DC		140G-K-SNR	
	24...30V AC/DC		140G-K-SNJ	
	48...60V AC/DC		140G-K-SNKY	
	110...127V AC/110...125V DC		140G-K-SND	
	220...240V AC/220...250V DC		140G-K-SNA	
 <p>Representative Photo</p>	380...440V AC		140G-K-SNB	
	480...525V AC		140G-K-SNC	
	24V AC/DC		140G-N-SNJ	
	48V AC/DC		140G-N-SNKY	
	110...120V AC/DC		140G-N-SND	
	220...240V AC/DC		140G-N-SNA	
	380...400V AC	140G-N-SNB		
	24V DC	140G-R-SNJ		
	48V AC/DC	140G-R-SNKY		
	110...120V AC/DC	140G-R-SND		
220...240V AC/DC	140G-R-SNA			
380...400V AC/DC	140G-R-SNB			

Shunt Close (SNC)


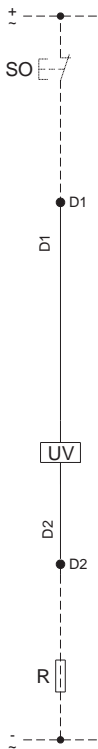

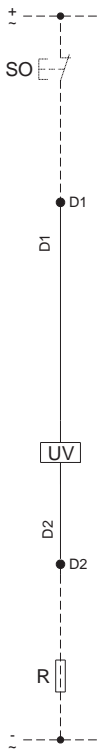

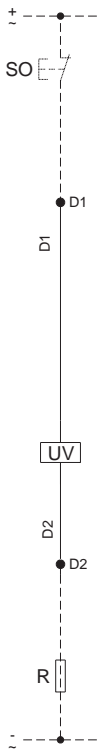
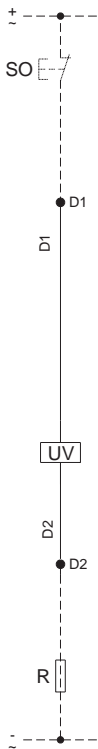
- For use with motorized versions of the NS- and R-Frame MCCB.
- Allows for remote closing of the MCCB when the spring motor is charged.

The shunt close unit is wired internal to the MCCB and terminated for connection using a 3-pin quick connect.

Description		Diagram	Frame Size	Cat. No.
 <p>Representative Photo</p>	24V AC/DC		NS	140G-NS-SNCJ
	48V AC/DC			140G-NS-SNCKY
	110...120V AC/DC			140G-NS-SNCD
	220...240V AC/DC			140G-NS-SNCA
	380...400V AC			140G-NS-SNCB
			24V DC	140G-R-SNCJ
			48V AC/DC	140G-R-SNCKY
			110...120V AC/DC	140G-R-SNCD
			220...240V AC/DC	140G-R-SNCA
			380...400V AC	140G-R-SNCB

Undervoltage Release (UVR)


- Opens the MCCB when supply voltage drops below 0.7 of the UV relay, with a trip rating from 0.7...0.35.
- The MCCB can be reset when the supply voltage is higher than 0.85 of the relay rating.
- When the UV is de-energized it is not possible to close the main contacts on the MCCB.
- R Resistor is supplied with the MCCB when reset is required.

Description		Diagram	Frame Size	Cat. No.		
 <p><i>Representative Photo</i></p>	24...30V AC/DC		G, H, I, J	140G-G-UVJ		
	48V AC/DC			140G-G-UVR		
	60V AC/DC			140G-G-UVKY		
	110...127V AC/110...125V DC			140G-G-UVD		
	220...240V AC/220...250V DC			140G-G-UVA		
	380...440 V AC			140G-G-UVB		
 <p><i>Representative Photo</i></p>	480...525 V AC			K, M	140G-G-UVC	
	24...30V AC/DC				140G-K-UVJ	
	48V AC/DC				140G-K-UVR	
	60V AC/DC				140G-K-UVKY	
	110...127V AC/110...125V DC				140G-K-UVD	
	220...240V AC/220...250V DC				140G-K-UVA	
 <p><i>Representative Photo</i></p>	380...440 V AC				N, NS	140G-K-UVB
	480...525 V AC					140G-K-UVC
	24V AC/DC					140G-N-UVJ
	60V AC/DC					140G-N-UVKY
	110...120V AC/DC					140G-N-UVD
	220...240V AC/DC					140G-N-UVA
	R	380...400V AC			140G-N-UVB	
		415...440V AC			140G-N-UVC	
		24V DC			140G-R-UVJ	
		60V AC/DC			140G-R-UVKY	
		110...120V AC/DC			140G-R-UVD	
		220...240V AC/DC			140G-R-UVA	
R	380...400V AC		R	140G-R-UVB		
	440...480V AC			140G-R-UVC		

Residual Current Release Module (IEC Only)

The residual current release module provides protection against low levels of earth (ground) fault currents. It continuously monitors the state of the insulation, with adjustability to provide protection from direct and indirect contact. Compliant with IEC 60947-2 annex B, IEC 61000 for protection against unwarranted tripping.

- Alarm & Trip indication
- 0.03 A with 0.0 s override
- Current adjustment: 0.5...10 A
- Time adjustment: 0.0...3 s
- Test

 <p><i>Representative Photo</i></p>	Frame Size	3-Pole Cat. No.	4-Pole Cat. No.
	G	140G-G-ELP1603	140G-G-ELP1604
	H	—	140G-H-ELP1604
	I	140G-I-ELP2503	140G-I-ELP2504
	J	—	140G-J-EP2504
	K	—	140G-K-ELP

Molded Case Circuit Breakers

Accessories

Current Transformer for Neutral Current



Representative Photo

Rated Current [A]	Frame Size	Cat. No.
300	K ★	140G-K-NCTD30
400	K ★	140G-K-NCTD40
600	M ★	140G-M-NCTD60
800	M ★	140G-M-NCTD80
400...1600	N, NS	140G-N-NCTE16
1000...3200	R	140G-R-NCTE30

★ Order with connector (Cat. No. 140G-K-CC).


Mechanical Accessories

Terminal Lugs



Description	Frame Size	Cat. No. (Pkg. Qty. 3)	Cat. No. (Pkg. Qty. 4)	
<p>Representative Photo</p>	G	Cu wire, MCCB only (1) 14...1/0 AWG or 2.5...70 mm ²	140G-G-TLC13	140G-G-TLC14
		Cu wire, MCP only (1) 14...1/0 AWG or 1.5...70 mm ²	140G-G-TLC13A	—
		Multiple cable - Cu wire (6) 14...2 AWG or 2.5...35 mm ²	140G-G-MTL63	140G-G-MTL64
		Cu wire only (1) 14...1/0 AWG or 2.5...95 mm ²	140G-H-TLC13	140G-H-TLC14
<p>Representative Photo</p>	H	Multiple cable - Cu wire (6) 14...2 AWG or 2.5...35 mm ²	140G-H-MTL63	140G-H-MTL64
		Al or Cu wire (1) 14...1/0 AWG or 2.5...50 mm ²	140G-I-TLA13	140G-I-TLA14
		Al or Cu wire (1) 4...300 MCM or 25...150 mm ²	140G-I-TLA1A3	140G-I-TLA1A4
		Cu wire only (1) 10...250 MCM or 6...185 mm ²	140G-I-TLC13	140G-I-TLC14
<p>Representative Photo</p>	I	Multiple cable - Cu wire (6) 12...2 AWG or 2.5...35 mm ²	140G-I-MTL63	140G-I-MTL64
		Al or Cu wire (1) 14...1/0 AWG or 2.5...50 mm ²	140G-J-TLA13	140G-J-TLA14
		Al or Cu wire (1) 4...300 MCM or 25...150 mm ²	140G-J-TLA1A3	140G-J-TLA1A4
		Al or Cu wire (1) 6 (Al)/10 (Cu)...350 MCM or 2.5...185 mm ² (Al)	140G-J-TLA1B3	140G-J-TLA1B4
		Cu wire only (1) 10...350 MCM or 6...185 mm ²	140G-J-TLC13	140G-J-TLC14
<p>Representative Photo</p>	J	Multiple cable - Cu wire (6) 12...2 AWG or 2.5...35 mm ²	140G-J-MTL63	140G-J-MTL64
		Al or Cu wire (1) 250...500 MCM or 120...240 mm ²	140G-K-TLA13	140G-K-TLA14
		Al or Cu wire (2) 2/0...250 MCM or 95...120 mm ²	140G-K-TLA23	140G-K-TLA24
		Cu wire only (1) 250...500 MCM or 120...240 mm ²	140G-K-TLC13	140G-K-TLC14
		Cu wire only (2) 2/0...250 MCM or 95...120 mm ²	140G-K-TLC23	140G-K-TLC24
<p>Representative Photo</p>	K	Multiple cable - Cu wire (6) 6...1/0 AWG or 16...50 mm ²	140G-K-MTL63	140G-K-MTL64
		Al or Cu wire (2) 250...500 MCM or 120...240 mm ²	140G-M-TLA23	140G-M-TLA24
		Al or Cu wire (3) 2/0...400 MCM or 70...185 mm ²	140G-M-TLA33	140G-M-TLA34
		Cu wire only (2) 3/0...350 MCM or 85...185 mm ²	140G-M-TLC23	140G-M-TLC24
		Cu wire only (3) 2/0...350 MCM or 70...185 mm ²	140G-M-TLC33	140G-M-TLC34
<p>Representative Photo</p>	M	Al or Cu wire (4) 4/0...500 MCM or 70...240 mm ²	140G-N-TLA43	140G-N-TLA44
		Cu wire only (4) 4/0...500 MCM or 70...240 mm ²	140G-N-TLC43	140G-N-TLC44
		Al or Cu wire (6) 1/0...750 MCM or 50...400 mm ²	140G-R-TLA63	—
		Cu wire only (6) 1/0...750 MCM or 50...400 mm ²	140G-R-TLC63	—
<p>Representative Photo</p>	N, NS			
		R		
		R		




Extended Terminals

 Representative Photo	Description	Frame Size	3-Pole Cat. No. (Pkg. Qty. 3)	4-Pole Cat. No. (Pkg. Qty. 4)
	Extended Terminals for busbar or ring type connection <ul style="list-style-type: none"> • G- & I-frame supplied with 100 mm phase barrier • H- & J-frame supplied with insulator, 100 mm phase barrier, and terminal cover • K- & N-/NS-frame supplied with insulator and 100 mm phase barrier • M-frame terminals only 	G	140G-G-EXT3	140G-G-EXT4
H		140G-H-EXT3	140G-H-EXT4	
I		140G-I-EXT3	140G-I-EXT4	
J		140G-J-EXT3	140G-J-EXT4	
K		140G-K-EXT3	140G-K-EXT4	
M		140G-M-EXT3	140G-M-EXT4	
N, NS		140G-N-EXT3	140G-N-EXT4	

Spreader Terminals

 Representative Photo	Description	Frame Size	3-Pole Cat. No. (Pkg. Qty. 3)	4-Pole Cat. No. (Pkg. Qty. 4)
	Spreader Terminals for busbar or ring type connection <ul style="list-style-type: none"> • G- & I-frame supplied with 200 mm phase barrier • H- & J-frame supplied with insulator, 100 mm phase barrier, and terminal cover • K- & N-/NS-frame supplied with insulator and 100 mm phase barrier • M- & R-frame terminals only 	G	140G-G-EXS3	140G-G-EXS4
H		140G-H-EXS3	140G-H-EXS4	
I		140G-I-EXS3	140G-I-EXS4	
J		140G-J-EXS3	140G-J-EXS4	
K		140G-K-EXS3	140G-K-EXS4	
M		—	140G-M-EXS4	
N, NS		—	140G-N-EXS4	
R		140G-R-EXS3	140G-R-EXS4	
 Representative Photo	Top Spreader Terminals for busbar or ring type connection <ul style="list-style-type: none"> • M-frame terminals only 	M	140G-M-EXSLI3	—
		N, NS	140G-N-EXSLI3	—
	Bottom Spreader Terminals for busbar or ring type connection <ul style="list-style-type: none"> • N-/NS-frame supplied with insulator and 100 mm phase barrier 	M	140G-M-EXSLO3	—
N, NS		140G-N-EXSLO3	—	

Rear Terminals


 Representative Photo	Description	Frame Size	3-Pole Cat. No. (Pkg. Qty. 3)	4-Pole Cat. No. (Pkg. Qty. 4)
	Rear flat horizontal terminals	for busbar or ring type connection	N, NS	140G-N-TLH3
N, NS			140G-N-TLV3	140G-N-TLV4
R ★			140G-R-TLV3	140G-R-TLV4

★ 2000 A and 2500 A MCCBs only.

Bulletin 140G
Molded Case Circuit Breakers
 Accessories


Phase Barriers

- Provides additional clearance when special connections that extend beyond the frame of the MCCB are used.
- Frames G, H, I, J, and K are supplied with 25 mm barriers as standard.

 <i>Representative Photo</i>	Frame Size	Length	3-Pole Cat. No. (Pkg. Qty. 4)	4-Pole Cat. No. (Pkg. Qty. 6)
	G, I		1 in. (25 mm)	140G-G-PB3M
4 in. (100 mm)			140G-G-PB3L	140G-G-PB4L
8 in. (200 mm)			140G-G-PB3H	140G-G-PB4H
H, J		1 in. (25 mm)	140G-H-PB3M	140G-H-PB4M
		4 in. (100 mm)	140G-H-PB3L	140G-H-PB4L
		8 in. (200 mm)	140G-H-PB3H	140G-H-PB4H
K, N, NS		4 in. (100 mm)	140G-K-PB3L	140G-K-PB4L
		8 in. (200 mm)	140G-K-PB3H	140G-K-PB4H
M		4 in. (100 mm)	140G-M-PB3L	140G-M-PB4L
R		4 in. (100 mm)	140G-R-PB3L	140G-R-PB4L
		8 in. (200 mm)	140G-R-PB3H	140G-R-PB4H

Terminal Covers

- Provide IP40 finger protection against accidental contact with live parts.
- Terminal covers are pre-punched to ease installation.
- Supplied as standard with the selection of multiple cable terminal lugs.

 <i>Representative Photo</i>	Frame Size	Height	3-Pole Cat. No. (Pkg. Qty. 2)	4-Pole Cat. No. (Pkg. Qty. 2)
	G		0.08 in. (2 mm)	140G-G-TC3L
2 in. (50 mm)			140G-G-TC3H	140G-G-TC4H
H		0.08 in. (2 mm)	140G-H-TC3L	140G-H-TC4L
		2 in. (50 mm)	140G-H-TC3H	140G-H-TC4H
I		0.08 in. (2 mm)	140G-I-TC3L	140G-I-TC4L
		2.36 in. (60 mm)	140G-I-TC3H	140G-I-TC4H
J		0.08 in. (2 mm)	140G-J-TC3L	140G-J-TC4L
		2.36 in. (60 mm)	140G-J-TC3H	140G-J-TC4H
K		0.08 in. (2 mm)	140G-K-TC3L	140G-K-TC4L
		2.36 in. (60 mm)	140G-K-TC3H	140G-K-TC4H
M		0.08 in. (2 mm)	140G-M-TC3L	140G-M-TC4L
		2.36 in. (60 mm)	140G-M-TC3H	140G-M-TC4H
N, NS		0.1 in. (2.5 mm)	140G-N-TC3L	140G-N-TC4L
		2.76 in. (70 mm)	140G-N-TC3H	140G-N-TC4H

Variable Depth Rotary Operating Kits


Rotary, Variable Depth Operators

- Supplied with external handle, operating shaft, and MCCB mounted operating mechanism.
- Refer to page 56 to select as components.
- Frames G, H, I, and J use a Bul. 140U P-style handle.
- Frames K, M, and N use a Bul. 140U medium style handle.

	Frame Size	Handle Color	Shaft Length	Cat. No.
 <p><i>Representative Photo</i></p>	G, I	Black	12 in. (30.48 mm)	140G-G-RVM12B
		Red/Yellow		140G-G-RVM12R
		Black	21 in. (53.34 mm)	140G-G-RVM21B
		Red/yellow		140G-G-RVM21R
	H, J	Black	12 in. (30.48 mm)	140G-H-RVM12B
		Red/yellow		140G-H-RVM12R
		Black	21 in. (53.34 mm)	140G-H-RVM21B
		Red/yellow		140G-H-RVM21R
 <p><i>Representative Photo</i></p>	K	Black	12.6 in. (320 mm)	140G-K-RVM12B
		Red/yellow		140G-K-RVM12R
		Black	22.8 in. (580 mm)	140G-K-RVM21B
		Red/yellow		140G-K-RVM21R
	M	Black	12.6 in. (320 mm)	140G-M-RVM12B
		Red/yellow		140G-M-RVM12R
		Black	22.8 in. (580 mm)	140G-M-RVM21B
		Red/yellow		140G-M-RVM21R
	N	Black	12.6 in. (320 mm)	140G-N-RVM12B
		Red/yellow		140G-N-RVM12R
		Black	22.8 in. (580 mm)	140G-N-RVM21B
		Red/yellow		140G-N-RVM21R

Rotary, Variable Depth Operators with Internal NFPA 79 Operating Handle


- Supplied with external handle, NFPA handle with operating shaft, support bracket, and MCCB mounted operating mechanism.
- Refer to page 58 to select as components.
- Frames G, H, I, and J use a Bul. 140U P-style handle.
- Frames K, M, and N use a Bul. 140U medium style handle.


	Frame Size	Handle Color	Shaft Length	Cat. No.
 <p><i>Representative Photo</i></p>	G, I	Black	12 in. (30.48 mm)	140G-G-NVM12B
		Red/yellow		140G-G-NVM12R
		Black	21 in. (53.34 mm)	140G-G-NVM21B
		Red/yellow		140G-G-NVM21R
	H, J	Black	12 in. (30.48 mm)	140G-H-NVM12B
		Red/yellow		140G-H-NVM12R
		Black	21 in. (53.34 mm)	140G-H-NVM21B
		Red/yellow		140G-H-NVM21R
 <p><i>Representative Photo</i></p>	K	Black	12.6 in. (320 mm)	140G-K-NVM12B
		Red/yellow		140G-K-NVM12R
		Black	22.8 in. (580 mm)	140G-K-NVM21B
		Red/yellow		140G-K-NVM21R
	M	Black	12.6 in. (320 mm)	140G-M-NVM12B
		Red/yellow		140G-M-NVM12R
		Black	22.8 in. (580 mm)	140G-M-NVM21B
		Red/yellow		140G-M-NVM21R
	N	Black	12.6 in. (320 mm)	140G-N-NVM12B
		Red/yellow		140G-N-NVM12R
		Black	22.8 in. (580 mm)	140G-N-NVM21B
		Red/yellow		140G-N-NVM21R


Molded Case Circuit Breakers


Accessories

Variable Depth Rotary Components

 Representative Photo	Description	Handle Color	Frame Size	Cat. No.	
	<ul style="list-style-type: none"> • P-style handle for G, H, I, and J frames • Medium handles for K, M, and N frames • Rated 3/3R/4/4X/12 • Accepts 3 padlocks 		Black/Grey	G, H, I, J	140U-PB
			Red/Yellow		140U-PY
			Black/Grey	K, M, N	140U-HM4
			Red/Yellow		140U-HM4E

 Representative Photo	Description	Shaft Length	Frame Size	Cat. No.	
	Extension Shaft		12 in. (305 mm)	G, H, I, J	194R-S1
			21 in. (533 mm)		194R-S2
			12 in. (305 mm)	K, M, N	140U-R5
			21 in. (533 mm)		140U-R6

 Representative Photo	Description	Shaft Length	Frame Size	Cat. No.	
	NFPA 79 internal operating handle with shaft Internal handle permits operation of the molded case circuit breaker when the door is open in compliance with NFPA 79.		12 in. (305 mm)	G, H, I, J	140G-N1
			21 in. (533 mm)		140G-N2
			12 in. (305 mm)	K, M, N	140G-N7
			21 in. (533 mm)		140G-N8


 Representative Photo	Description	Frame Size	Cat. No.
	Rotary, Variable Depth Operating Mechanism <ul style="list-style-type: none"> • Direct molded case circuit breaker mount • G, H, I, and J frame use 194R-S1 or 194R-S2 shafts (140G-N1 or 140G-N2 NFPA) • K, M, and N frames use 194R-R7 or 194R-R8 shafts (140G-R7 or 140G-R8 NFPA) • Shaft secured with set screw or cotter pin 	G, I	140G-G-RMX
		H, J	140G-H-RMX
		K	140G-K-RMX
		M	140G-M-RMX
		N	140G-N-RMX

Description	Frame Size	Cat. No.
Support Bracket Supplied as standard with NFPA variable depth operator kits	G, H, I, J	140G-G-OSB
	K	140G-K-OSB
	M	140G-M-OSB
	N	140G-N-OSB

Auxiliary Contacts for Handle Mechanism Mounting



Suitable for:

- 140G-G-RMB, -RMY, RMX
- 140G-H-RMB, -RMY, RMX
- 140G-K-RMB, -RMY, RMX
- 140G-M-RMB, -RMY, RMX

 Representative Photo	Description	Pkg. Qty	Frame Size	Cat. No.
	Early Make Handle Auxiliary Contact Open 400V	2	G, H, I, J	140G-G-EAM1B
	Early Break Handle Auxiliary Contact Close 400V	2		140G-G-EAB1B
	Early Make Handle Auxiliary Contact Close 250V	2	K	140G-K-EAM1A
M			140G-M-EAM1A	

Direct Rotary Operators


- Mount with direct handle operation of the MCCB.
- Lockable in OFF position (three padlocks max.).

 Representative Photo  Representative Photo	Frame Size	Handle Color	Cat. No.
	G, I	Black	140G-G-RMB
		Red/yellow	140G-G-RMY
	H, J	Black	140G-H-RMB
		Red/yellow	140G-H-RMY
	K	Black	140G-K-RMB
		Red/yellow	140G-K-RMY
	M	Black	140G-M-RMB
		Red/yellow	140G-M-RMY
	N	Black	140G-N-RMB
Red/yellow		140G-N-RMY	

Motor Operators

- Remotely opens, closes, and resets the MCCB.
- Frame G & I motor operators are supplied with auto/manual selector, test feature, and special tool for local operation of the MCCB.
- Frames H, J, K, and M utilize a stored energy motor for local control of the motor without the use of special tools and include auto/manual/lock selection, lever to recharge the motor, and open & close push button operation.

Description	Frame Size	Cat. No.
 Representative Photo	G, I	140G-G-EOPJ
		140G-G-EOPKY
		140G-G-EOPD
		140G-G-EOPA
		140G-G-EOPB
		140G-G-EOPC
 Representative Photo	H, J	140G-H-EOPJ
		140G-H-EOPKY
		140G-H-EOPD
		140G-H-EOPA
		140G-H-EOPB
		140G-H-EOPC
 Representative Photo	K	140G-K-EOPJ
		140G-K-EOPKY
		140G-K-EOPD
		140G-K-EOPA
	M	140G-K-EOPB
		140G-M-EOPJ
		140G-M-EOPKY
		140G-M-EOPD
		140G-M-EOPA
		140G-M-EOPB

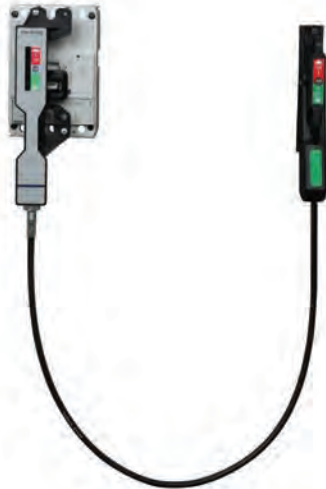
Description	Frame Size	Cat. No.
 Representative Photo	NS	140G-NS-SCMA
		140G-NS-SCMB
		140G-NS-SCMD
		140G-NS-SCMJ
		140G-NS-SCMKY
	R	140G-R-SCMA
		140G-R-SCMD
		140G-R-SCMJ
		140G-R-SCMKY

Molded Case Circuit Breakers

Accessories

Flex Cable Operators

- For use with NEMA-style flange enclosures.
- Includes handle, MCCB operator, cable, and necessary hardware.
- Pre-assembled for ease of installation.



Representative Photo

Frame Size	Handle Type	Cable Length	Cat. No.
G, I	Non-metallic Handle, Type 1/3/12/4/4X	4 ft (1.3 m)	140G-G-FCX04
		6 ft (1.9 m)	140G-G-FCX06
		10 ft (3.0 m)	140G-G-FCX10
	Stainless Steel Handle, Type 4/4X	4 ft (1.3 m)	140G-G-FCS04
		6 ft (1.9 m)	140G-G-FCS06
		10 ft (3.0 m)	140G-G-FCS10
	Painted Metal Handle, Type 1/12	4 ft (1.3 m)	140G-G-FMX04
		6 ft (1.9 m)	140G-G-FMX06
		10 ft (3.0 m)	140G-G-FMX10
H	Non-metallic Handle, Type 1/3/12/4/4X	4 ft (1.3 m)	140G-H-FCX04
		6 ft (1.9 m)	140G-H-FCX06
		10 ft (3.0 m)	140G-H-FCX10
	Stainless Steel Handle, Type 4/4X	4 ft (1.3 m)	140G-H-FCS04
		6 ft (1.9 m)	140G-H-FCS06
		10 ft (3.0 m)	140G-H-FCS10
	Painted Metal Handle, Type 1/12	4 ft (1.3 m)	140G-H-FMX04
		6 ft (1.9 m)	140G-H-FMX06
		10 ft (3.0 m)	140G-H-FMX10
J	Non-metallic Handle, Type 1/3/12/4/4X	4 ft (1.3 m)	140G-J-FCX04
		6 ft (1.9 m)	140G-J-FCX06
		10 ft (3.0 m)	140G-J-FCX10
	Stainless Steel Handle, Type 4/4X	4 ft (1.3 m)	140G-J-FCS04
		6 ft (1.9 m)	140G-J-FCS06
		10 ft (3.0 m)	140G-J-FCS10
	Painted Metal Handle, Type 1/12	4 ft (1.3 m)	140G-J-FMX04
		6 ft (1.9 m)	140G-J-FMX06
		10 ft (3.0 m)	140G-J-FMX10
K	Non-metallic Handle, Type 1/3/12/4/4X	4 ft (1.3 m)	140G-K-FCX04
		6 ft (1.9 m)	140G-K-FCX06
		10 ft (3.0 m)	140G-K-FCX10
	Stainless Steel Handle, Type 4/4X	4 ft (1.3 m)	140G-K-FCS04
		6 ft (1.9 m)	140G-K-FCS06
		10 ft (3.0 m)	140G-K-FCS10
	Painted Metal Handle, Type 1/12	4 ft (1.3 m)	140G-K-FMX04
		6 ft (1.9 m)	140G-K-FMX06
		10 ft (3.0 m)	140G-K-FMX10
M	Stainless Steel Handle, Type 4/4X	4 ft (1.3 m)	140G-M-FCS04
		6 ft (1.9 m)	140G-M-FCS06
		10 ft (3.0 m)	140G-M-FCS10
	Painted Metal Handle, Type 1/12	4 ft (1.3 m)	140G-M-FMX04
		6 ft (1.9 m)	140G-M-FMX06
		10 ft (3.0 m)	140G-M-FMX10
N	Stainless Steel Handle, Type 4/4X	4 ft (1.3 m)	140G-N-FCS04
		6 ft (1.9 m)	140G-N-FCS06
		10 ft (3.0 m)	140G-N-FCS10
	Painted Metal Handle, Type 1/12	4 ft (1.3 m)	140G-N-FMX04
		6 ft (1.9 m)	140G-N-FMX06
		10 ft (3.0 m)	140G-N-FMX10

Bulletin 1494V Variable Depth Flange-Mounted Circuit Breaker Operating Mechanism



Components

Circuit Breaker Operating Mechanism

The mechanism listed must be combined with a connecting rod, operating handle, and a circuit breaker (supplied by customer) to obtain a functional device.

3-Pole Circuit Breaker★			Operating Mechanism
Brand	Frame Size [A]	Frame Designation	Cat. No.
Allen-Bradley	125, 225, 250	140G-G, H, I, J	1494V-M70
Allen-Bradley	400	140G-K	1494V-M71
Allen-Bradley	800, 1200	140G-M, N	1494V-M72

★ Circuit breakers to be provided by customer.

Connecting Rods

Approximate dimensions are in inches (millimeters). Approximate dimensions are not intended for manufacturing purposes.

Circuit Breaker Frame Size [A]	Enclosure Depth		Cat. No.
	Minimum	Maximum	
125, 150, 250, 400, 600, 800, 1200	6-3/4 (172)	9-1/8 (232)	1494V-RA3
	6-3/4 (172)	21-5/8 (549)	1494V-RA4



Operating Handle

Handle Type	Description	Circuit Breaker Frame Size [A]	Operating Handle
			Cat. No.
Type 1, 3R, 4, 4X, 12	Nonmetallic	125, 150, 250, 400	1494F-P1
Type 1, 3R, 4, 12	Painted Metal	125, 150, 250, 400	1494F-M1
Type 4, 4X	Stainless Steel	125, 150, 250, 400	1494F-S1
Type 1, 3R, 4, 12	Painted Metal	800, 1200	1494F-M2
Type 4, 4X	Stainless Steel	800, 1200	1494F-S2

Auxiliary Contacts

Description	For Use With	Contact Type	Cat. No.
Auxiliary Contact Kit for Circuit Breakers (includes contacts and adapter)	125...1200 A Allen-Bradley Bul. 140G Circuit Breakers	1 N.O.	1495-N85
		1 N.C.	1495-N86

Replacement Parts

	Description	Frame Size	3-Pole Cat. No.	4-Pole Cat. No.	
 <p><i>Representative Photo</i></p>	<p>Replacement End Cap Kits End Caps are supplied as standard for G, H, I, J, K, M, N & NS frames. Provide connections for ring type or bolt-on terminals.</p>	G	140G-G-ECM	140G-G-ECM4	
		H	140G-H-ECM	140G-H-ECM4	
		I	140G-I-ECM	140G-I-ECM4	
		J	140G-J-ECM	140G-J-ECM4	
		K	140G-K-ECM	140G-K-ECM4	
		M	140G-M-ECM	140G-M-ECM4	
		N	140G-N-ECM	140G-N-ECM4	
		H	140G-H-BP3	140G-H-BP4	
		J	140G-J-BP3	140G-J-BP4	
		 <p><i>Representative Photo</i></p>	<p>Insulators Supplied as standard for G, H, I, J, K, and M frames. Provide insulating barrier for MCCB applications, required for all applications with a $U_e > 440V$. Pkg Qty 10.</p>	K	140G-K-BP3
M	140G-M-BP3				140G-M-BP4

Bulletin 140G
Molded Case Circuit Breakers
Specifications — G- and H-Frame

		G-Frame				H-Frame†					
Max. Rated Current	[A]	125		160★		125			160★		
Rated insulation voltage, U _i , IEC	[V]	800				1000					
NEMA, UL, CSA											
Interrupting Rating Code		G2	G3	G6	G2 G3 G6	H2	H3	H6	H0	H15	H2 H3 H6 H0 H15
240V AC, 50/60Hz	[kA]	50	65	100	50 65 100	65	100	150	200	200	65 100 150 200 200
480V AC, 50/60Hz	[kA]	25	35	65	25 35 65	25	35	65	100	150	25 35 65 100 150
600Y/347V AC, 50/60Hz	[kA]	10	14	25	10 14 25	—	—	—	—	—	—
600V AC, 50/60 Hz	[kA]	—	—	—	—	14	18	25	35	42	14 18 35 35 42
IEC 60947-2											
Rated ultimate short-circuit breaking capacity, I _{cu}											
220/230/240V AC, 50/60Hz	[kA]	65	85	100	65 85 100	65	85	100	150	200	65 85 100 150 200
380V AC, 50/60Hz	[kA]	36	50	70	36 60 70	36	50	70	120	150	26 50 70 120 150
415V AC, 50/60Hz	[kA]	36	50	70	36 50 70	36	50	70	120	150	36 50 70 120 150
440V AC, 50/60Hz	[kA]	36	50	65	36 50 65	36	50	65	100	150	36 50 65 100 150
500V AC, 50/60Hz	[kA]	30	36	50	36 50 65	30	36	50	60	70	30 36 50 60 70
525V AC, 50/60Hz	[kA]	22	35	35	22 35 35	20	25	30	36	50	20 25 30 36 50
690V AC, 50/60Hz	[kA]	6	8	10	6 8 10	10	12	15	18	20	10 12 15 18 20
250V DC, 2 Poles in Series	[kA]	36	50	70	36 50 70	36	50	70	85	100	36 50 70 85 100
500V DC, 2 Poles in Series	[kA]	—	—	—	—	—	—	—	—	—	—
500V DC, 3 Poles in Series	[kA]	36	50	70	36 50 70	36	50	70	85	100	36 50 70 85 100
750V DC, 3 Poles in Series	[kA]	—	—	—	—	—	—	—	—	—	—
Rated service short-circuit breaking capacity, I _{cs}											
220/230/240V AC, 50/60Hz	[kA]	75% (50)	75%	75%	75% 75% 75%	100%	100%	100%	100%	100%	100% 100% 100% 100% 100%
380V AC, 50/60Hz	[kA]	100%	100%	75%	100% 100% 75%	100%	100% 100%	100%	100%	100%	100% 100% 100% 100% 100%
415V AC, 50/60Hz	[kA]	100%	75%	50%	100% 75% 50%	100%	100%	100%	100%	100%	100% 100% 100% 100% 100%
440V AC, 50/60Hz	[kA]	50%	50%	50%	50% 50% 50%	100%	100%	100%	100%	100%	100% 100% 100% 100% 100%
500V AC, 50/60Hz	[kA]	50%	50%	50%	50% 50% 50%	100%	100%	100%	100%	100%	100% 100% 100% 100% 100%
525V AC, 50/60Hz	[kA]	50%	50%	50%	50% 50% 50%	100%	100%	100%	100%	100%	100% 100% 100% 100% 100%
690V AC, 50/60Hz	[kA]	75%	50%	50%	75 50 50%	100%	100%	100%	75%	75%	100% 100% 100% 75% 75%
250V DC, 2 Poles in Series	[kA]	100%	100%	75%	100% 100% 75%	100%	100%	100%	100%	100%	100% 100% 100% 100% 100%
500V DC, 2 Poles in Series	[kA]	—	—	—	—	—	—	—	—	—	—
500V DC, 3 Poles in Series	[kA]	100%	100%	75%	100% 100% 75%	100%	100%	100%	100%	100%	100% 100% 100% 100% 100%
750V DC, 3 Poles in Series	[kA]	—	—	—	—	—	—	—	—	—	—
Mechanical Life	[No. Ops]	25 000				25 000					
	[Ops/hr]	240				240					
Electrical Life @ 415V AC	[No. Ops]	8000				8000					
	[Ops/hr]	120				120					
Ambient Temp. w/out derating	°F [°C]	104 °F [40 °C]				104 °F [40 °C]					
Storage Temperature	°F [°C]	-40...+176 °F [-40...+80 °C]				-40...+176 °F [-40...+80 °C]					
Dimensions [Width/Depth/Height]	[mm]	3 poles: 76.2x70x130				3 poles: 90x82.5x130					
	[mm]	4 poles: 101.6x70x130				4 poles: 120x82.5x130					

★ IEC version with a 160 A I_{cu} rating
† Cannot be reverse fed above 480V

Bulletin 140G
Molded Case Circuit Breakers
 Specifications — I- and J-Frame

		I-Frame			J-Frame‡		
Max. Rated Current	[A]	225			250		
Rated insulation voltage, U _i , IEC	[V]	800			1000		
NEMA, UL, CSA							
Interrupting Rating Code		I2	I3	J2	J3	J6	J0
240V AC, 50/60Hz	[kA]	50	65	65	100	150	200
480V AC, 50/60Hz	[kA]	25	35	25	35	65	100
600Y/347V AC, 50/60Hz	[kA]	10	10	—	—	—	—
600V AC, 50/60 Hz	[kA]	—	—	14	18	25	35
IEC 60947-2							
Rated ultimate short-circuit breaking capacity, I _{cu}							
220/230/240V AC, 50/60Hz	[kA]	50	85	65	85	100	150
380V AC, 50/60Hz	[kA]	36	50	36	50	70	120
415V AC, 50/60Hz	[kA]	36	50	36	50	70	120
440V AC, 50/60Hz	[kA]	25	40	36	50	65	100
500V AC, 50/60Hz	[kA]	20	30	30	36	50	60
525V AC, 50/60Hz	[kA]	13	20	20	25	45	50
690V AC, 50/60Hz	[kA]	5	6	10	12	15	20
250V DC, 2 Poles in Series	[kA]	36	50	36	50	70	85
500V DC, 2 Poles in Series	[kA]	—	—	36	50	70	85
500V DC, 3 Poles in Series	[kA]	36	50	36	50	70	85
750V DC, 3 Poles in Series	[kA]	—	—	—	—	—	—
Rated service short-circuit breaking capacity, I _{cs}							
220/230/240V AC, 50/60Hz	[kA]	75%	50%	100%	100%	100%	100%
380V AC, 50/60Hz	[kA]	75%	50% (27)	100%	100%	100%	100%
415V AC, 50/60Hz	[kA]	75%	50% (27)	100%	100%	100%	100%
440V AC, 50/60Hz	[kA]	75%	50%	100%	100%	100%	100%
500V AC, 50/60Hz	[kA]	75%	50%	100%	100%	100%	100%
525V AC, 50/60Hz	[kA]	75%	50%	100%	100%	100%	100%
690V AC, 50/60Hz	[kA]	50%	50%	100%	100%	100%	100%
250V DC, 2 Poles in Series	[kA]	100%	75%	100%	100%	100%	100%
500V DC, 2 Poles in Series	[kA]	—	—	100%	100%	100%	100%
500V DC, 3 Poles in Series	[kA]	100%	75%	100%	100%	100%	100%
750V DC, 3 Poles in Series	[kA]	—	—	—	—	—	—
Mechanical Life	[No. Ops]	25 000			25 000		
	[Ops/hr]	240			240		
Electrical Life @ 415V AC	[No. Ops]	8000			8000		
	[Ops/hr]	120			120		
Ambient Temp. w/out derating	°F [°C]	104 °F [40 °C]			104 °F [40 °C]		
Storage Temperature	°F [°C]	-40...+176 °F [-40...+80 °C]			-40...+176 °F [-40...+80 °C]		
Dimensions [Width/Depth/Height]	[mm]	3 poles: 105x70x150			3 poles: 105x82.5x160		
	[mm]	4 poles: 140x70x150			4 poles: 140x82.5x160		

‡ Cannot be reverse fed above 600V

Molded Case Circuit Breakers

Specifications — K- and M-Frame

		K-Frame				M-Frame			
Max. Rated Current	[A]	400				800			
Rated insulation voltage, U _i , IEC	[V]	1000				1000			
NEMA, UL, CSA									
Interrupting Rating Code		K3	K6	K0	K15	K5	K6	K0	
240V AC, 50/60Hz	[kA]	100	150	200	200	100	200	200	
480V AC, 50/60Hz	[kA]	35	65	100	150	50	65	100	
600Y/347V AC, 50/60Hz	[kA]	—	—	—	—	—	—	—	
600V AC, 50/60 Hz	[kA]	25	35	65	100	25	35	42	
IEC 60947-2									
Rated ultimate short-circuit breaking capacity, I _{cu}									
220/230/240V AC, 50/60Hz	[kA]	85	100	200	200	85	100	200	
380V AC, 50/60Hz	[kA]	50	70	120	200	50	70	100	
415V AC, 50/60Hz	[kA]	50	70	120	200	50	70	100	
440V AC, 50/60Hz	[kA]	40	65	100	180	45	50	80	
500V AC, 50/60Hz	[kA]	30	50	85	150	35	50	65	
525V AC, 50/60Hz	[kA]	—	—	—	—	—	—	—	
690V AC, 50/60Hz	[kA]	25	40	70	80	22	25	30	
250V DC, 2 Poles in Series	[kA]	—	—	—	—	—	—	—	
500V DC, 2 Poles in Series	[kA]	36	50	70	100	—	—	—	
500V DC, 3 Poles in Series	[kA]	—	—	—	—	—	—	—	
750V DC, 3 Poles in Series	[kA]	25	36	70	70	20	36	50	
Rated service short-circuit breaking capacity, I _{cs}									
220/230/240V AC, 50/60Hz	[kA]	100%	100%	100%	100%	100%	100%	75%	
380V AC, 50/60Hz	[kA]	100%	100%	100%	100%	100%	100%	75%	
415V AC, 50/60Hz	[kA]	100%	100%	100%	100%	100%	100%	75%	
440V AC, 50/60Hz	[kA]	100%	100%	100%	100%	100%	100%	75%	
500V AC, 50/60Hz	[kA]	100%	100%	100%	100%	100%	100%	75%	
525V AC, 50/60Hz	[kA]	—	—	—	—	—	—	—	
690V AC, 50/60Hz	[kA]	100%	100%	100%	100%	75%	75%	75%	
250V DC, 2 Poles in Series	[kA]	—	—	—	—	—	—	—	
500V DC, 2 Poles in Series	[kA]	100%	100%	100%	100%	—	—	—	
500V DC, 3 Poles in Series	[kA]	—	—	—	—	—	—	—	
750V DC, 3 Poles in Series	[kA]	100%	100%	100%	100%	75%	75%	75%	
Mechanical Life	[No. Ops]	20000				20000			
	[Ops/hr]	120				120			
Electrical Life @ 415V AC	[No. Ops]	7000 (400 A) - 5000 (630 A)				7000 (630 A) - 5000 (800 A) - 4000 (1000 A)			
	[Ops/hr]	60				60			
Ambient Temp. w/out derating	°F [°C]	104 °F [40 °C]				104 °F [40 °C]			
Storage Temperature	°F [°C]	-40...+176 °F [-40...+80 °C]				-40...+176 °F [-40...+80 °C]			
Dimensions [Width/Depth/Height]	[mm]	3 poles: 140x108.5x205				3 poles: 210x103.5x268			
	[mm]	4 poles: 185x103.5x205				4 poles: 280x103.5x268			



Bulletin 140G
Molded Case Circuit Breakers
 Specifications — N-, NS-, and R-Frame

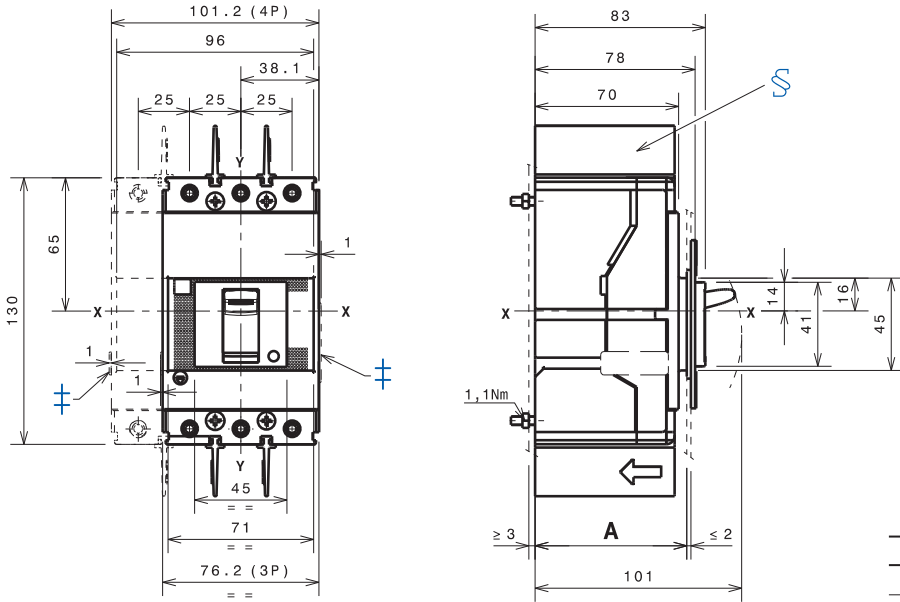
		N-, NS-Frame			R-Frame
Max. Rated Current	[A]	1200			2000/2500/3000
Rated insulation voltage, U_i , IEC	[V]	1000			1000
NEMA, UL, CSA					
Interrupting Rating Code		N5	N6	N0	R12
240V AC, 50/60Hz	[kA]	65	100	150	125
480V AC, 50/60Hz	[kA]	50	65	100	125
600Y/347V AC, 50/60Hz	[kA]	—	—	—	—
600V AC, 50/60 Hz	[kA]	25	50	65	100
IEC 60947-2					
Rated ultimate short-circuit breaking capacity, I_{cu}					
220/230/240V AC, 50/60Hz	[kA]	85	100	200	130
380V AC, 50/60Hz	[kA]	50	70	120	80
415V AC, 50/60Hz	[kA]	50	70	120	80
440V AC, 50/60Hz	[kA]	50	65	100	80
500V AC, 50/60Hz	[kA]	40	50	85	40
525V AC, 50/60Hz	[kA]	—	—	—	—
690V AC, 50/60Hz	[kA]	30	42	50	40
250V DC, 2 Poles in Series	[kA]	—	—	—	—
500V DC, 2 Poles in Series	[kA]	—	—	—	—
500V DC, 3 Poles in Series	[kA]	—	—	—	—
750V DC, 3 Poles in Series	[kA]	—	—	—	—
Rated service short-circuit breaking capacity, I_{cs}					
220/230/240V AC, 50/60Hz	[kA]	100%	100%	100%	100%
380V AC, 50/60Hz	[kA]	100%	100%	100%	—
415V AC, 50/60Hz	[kA]	100%	100%	100%	100%
440V AC, 50/60Hz	[kA]	100%	100%	100%	100%
500V AC, 50/60Hz	[kA]	100%	100%	75%	100%
525V AC, 50/60Hz	[kA]	—	—	—	—
690V AC, 50/60Hz	[kA]	100%	75%	75%	100%
250V DC, 2 Poles in Series	[kA]	—	—	—	—
500V DC, 2 Poles in Series	[kA]	—	—	—	—
500V DC, 3 Poles in Series	[kA]	—	—	—	—
750V DC, 3 Poles in Series	[kA]	—	—	—	—
Mechanical Life	[No. Ops]	10000			15000
	[Ops/hr]	60			60
Electrical Life @ 415V AC	[No. Ops]	2000			4500 (2000 A) - 4000 (2500 A) - 3000 (3200 A)
	[Ops/hr]	60			60
Ambient Temp. w/out derating	°F [°C]	104 °F [40 °C]			104 °F [40 °C]
Storage Temperature	°F [°C]	-40...+176 °F [-40...+80 °C]			-40...+176 °F [-40...+80 °C]
Dimensions [Width/Depth/Height]	[mm]	3 poles: 210x154(N)/178(NS)x268			3 poles: 427x282x382
	[mm]	4 poles: 280x154(N)/178(NS)x268			4 poles: 553x282x382

Molded Case Circuit Breakers

Approximate Dimensions — 125 A, G-Frame

Dimensions are in millimeters. Dimensions are not intended to be used for manufacturing purposes.

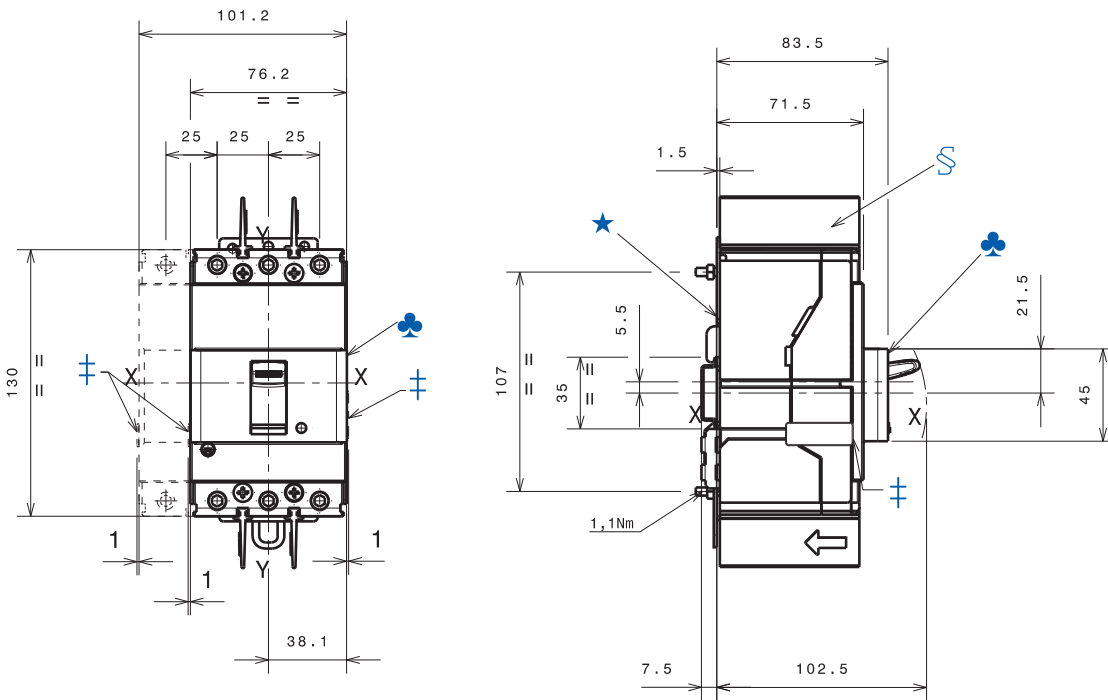
Panel Mounted Molded Case Circuit Breaker



Description	No. of Poles	A
With flange	3...4	74
Without flange	3...4	71
	3...4	79

- ‡ Overall dimensions of optional wiring ducts
- § Required 25 mm insulating phase barriers provided

DIN Rail Mounted Molded Case Circuit Breaker

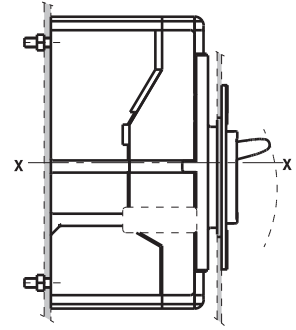
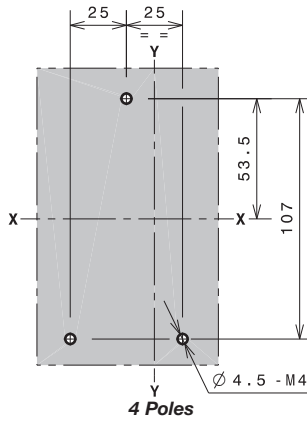
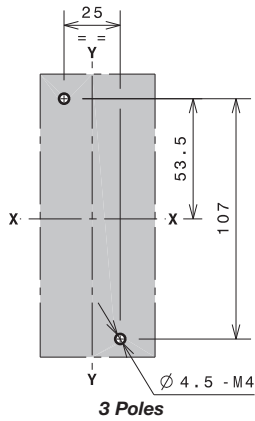


- ★ Mounting bracket
- ‡ Overall dimensions of optional wiring ducts
- § Required 25 mm insulating phase barriers provided
- ♣ Optional front cover for DIN Rail

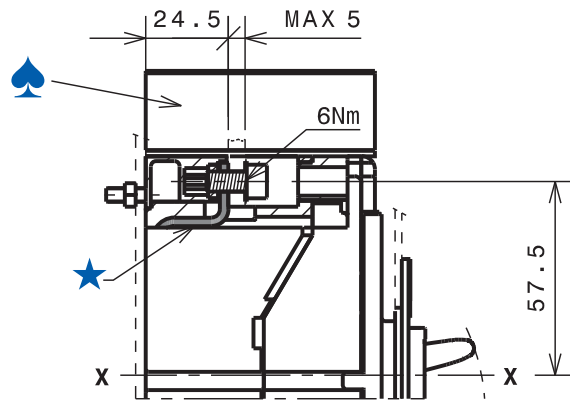
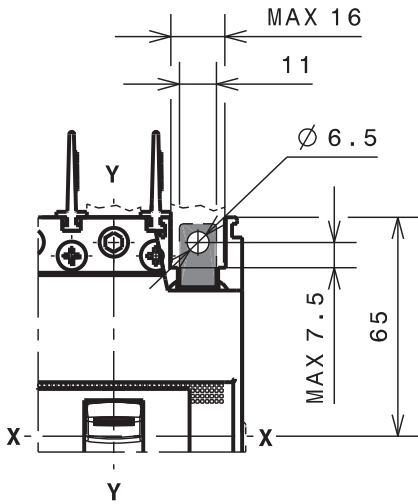
Molded Case Circuit Breakers

Approximate Dimensions — 125 A, G-Frame

Drilling Template for Molded Case Circuit Breaker Mounting



Cat. Nos. 140G-G-ECM, -ECM4 Terminals

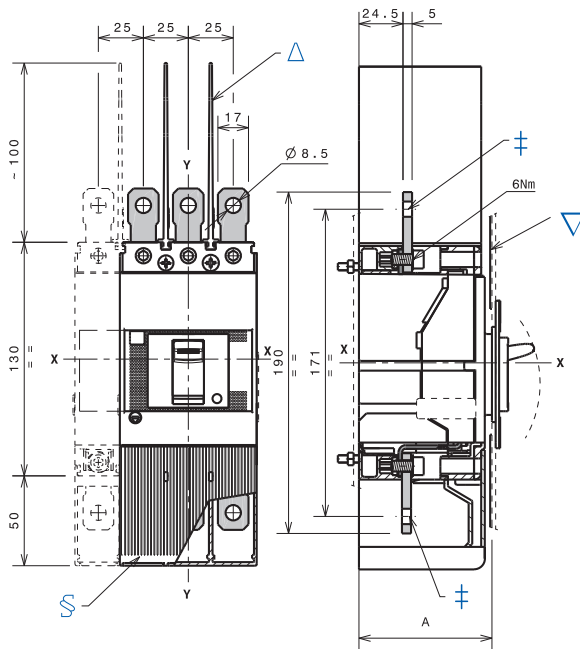


- ★ Mounting bracket
- ♣ Required 25 mm insulating phase barriers provided

Molded Case Circuit Breakers

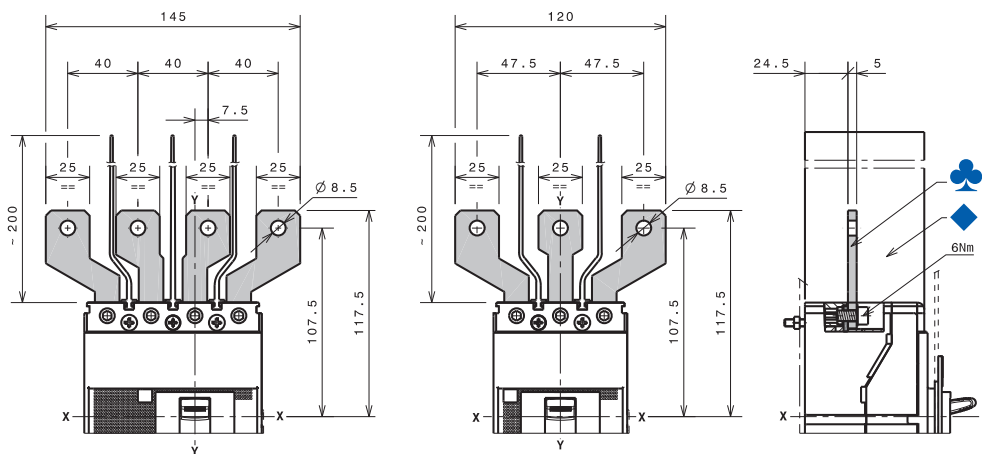
Approximate Dimensions — 125 A, G-Frame

Cat. Nos. 140G-G-EXT3, -EXT4 Extended Terminals



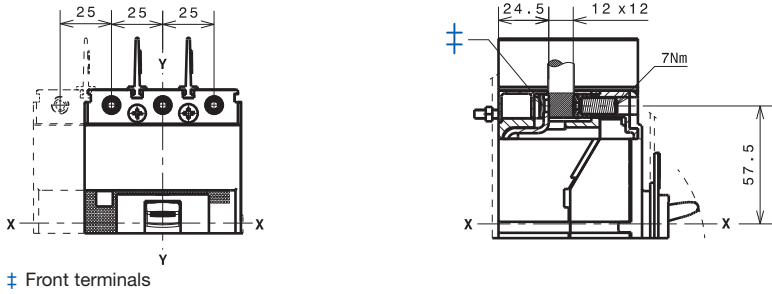
- ⊕ Extended terminals
- § Optional Terminal covers with IP40 protection provided
- △ Required 100 mm insulating phase barriers provided
- ▽ Internal insulating plate required with phase barriers (customer provided) when mounted through the enclosure door

Cat. Nos. 140G-G-EXS3, -EXS4 Spreader Terminals



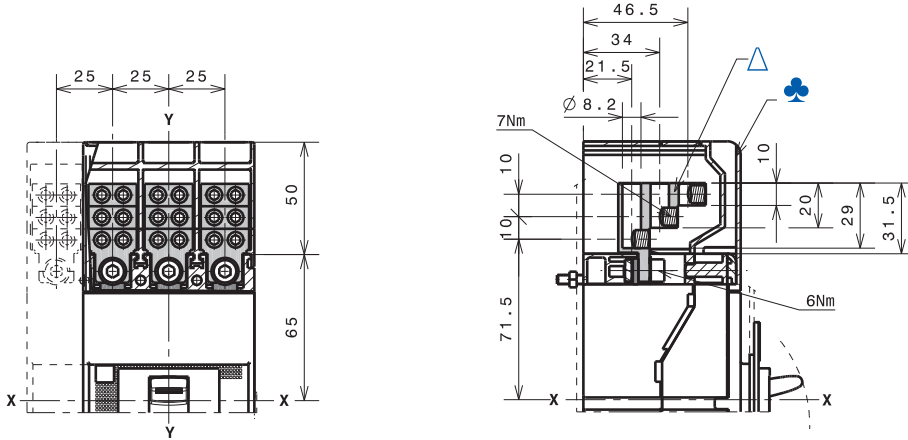
- ♣ Extended spread terminals for busbar connection
- ◆ Required 200 mm insulating phase barriers provided

Cat. Nos. 140G-G-TLC13, 140G-G-TLC14 Terminals (Copper Only Lug)



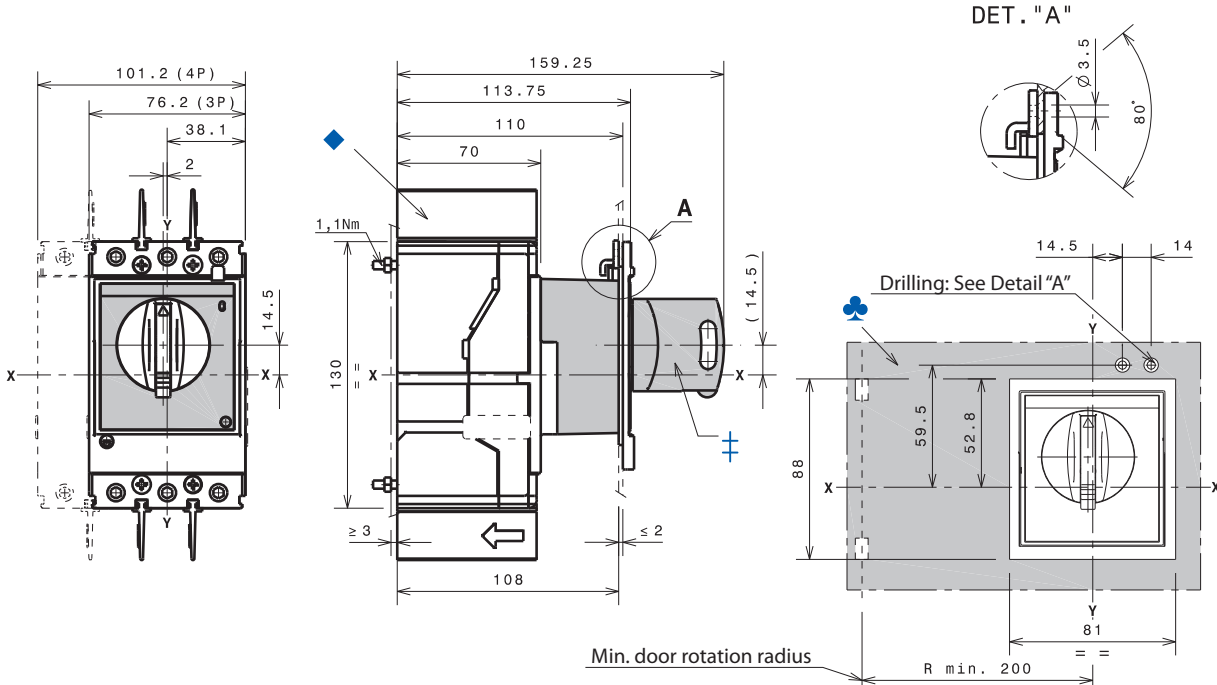
‡ Front terminals

Cat. No. 140G-G-MTL63, -MTL64 Terminal (Multi-Cable Terminal Lug)



♣ Required terminal covers with IP40 protection provided
 ▲ Terminal lugs for multi-cable connection

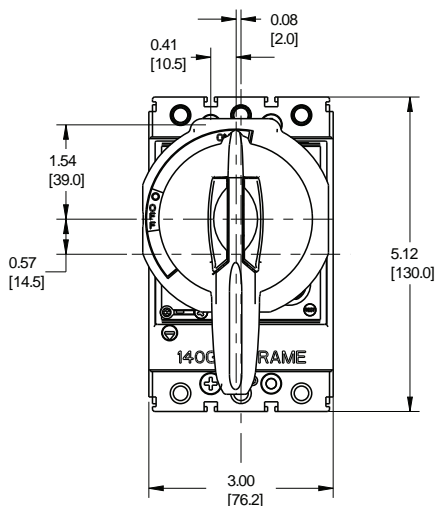
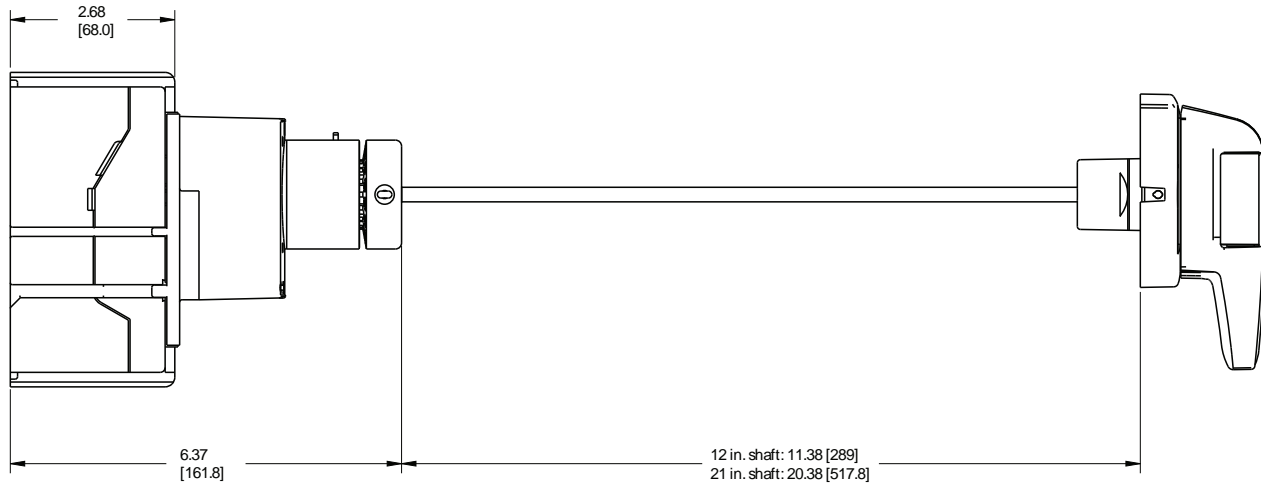
Cat. No. 140G-G-RMB or 140G-G-RMY Direct Rotary Operating Handle



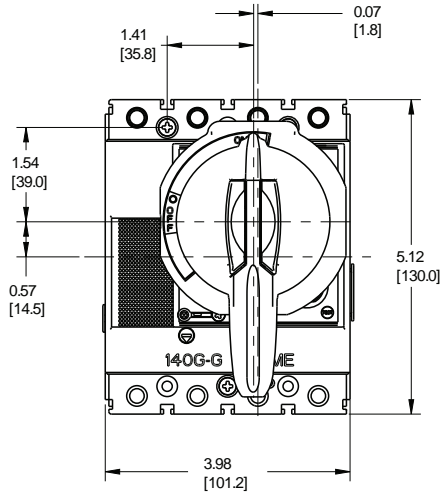
‡ Rotary handle operating mechanism on molded case circuit breaker
 ♣ Door drilling template with direct rotary handle
 ◆ Required 25 mm insulating phase barriers provided

Bulletin 140G
Molded Case Circuit Breakers
 Approximate Dimensions — 125 A, G-Frame

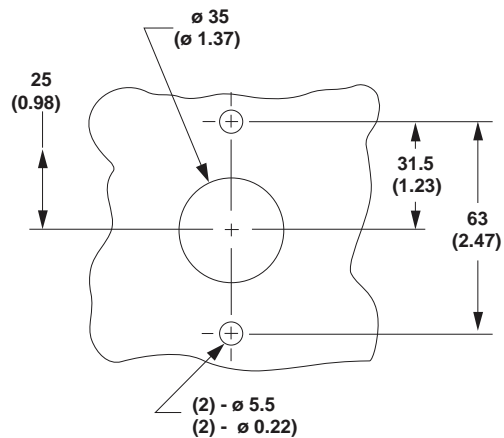
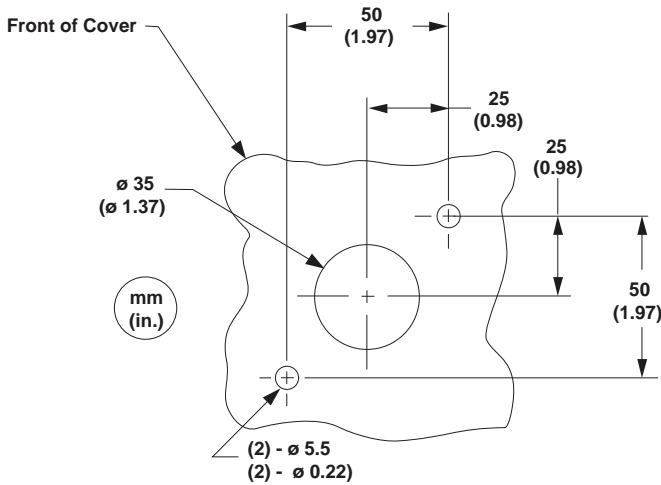
Cat. Nos. 140G-G-RVM...Variable Depth Rotary Mechanism with Door Mounted Handle



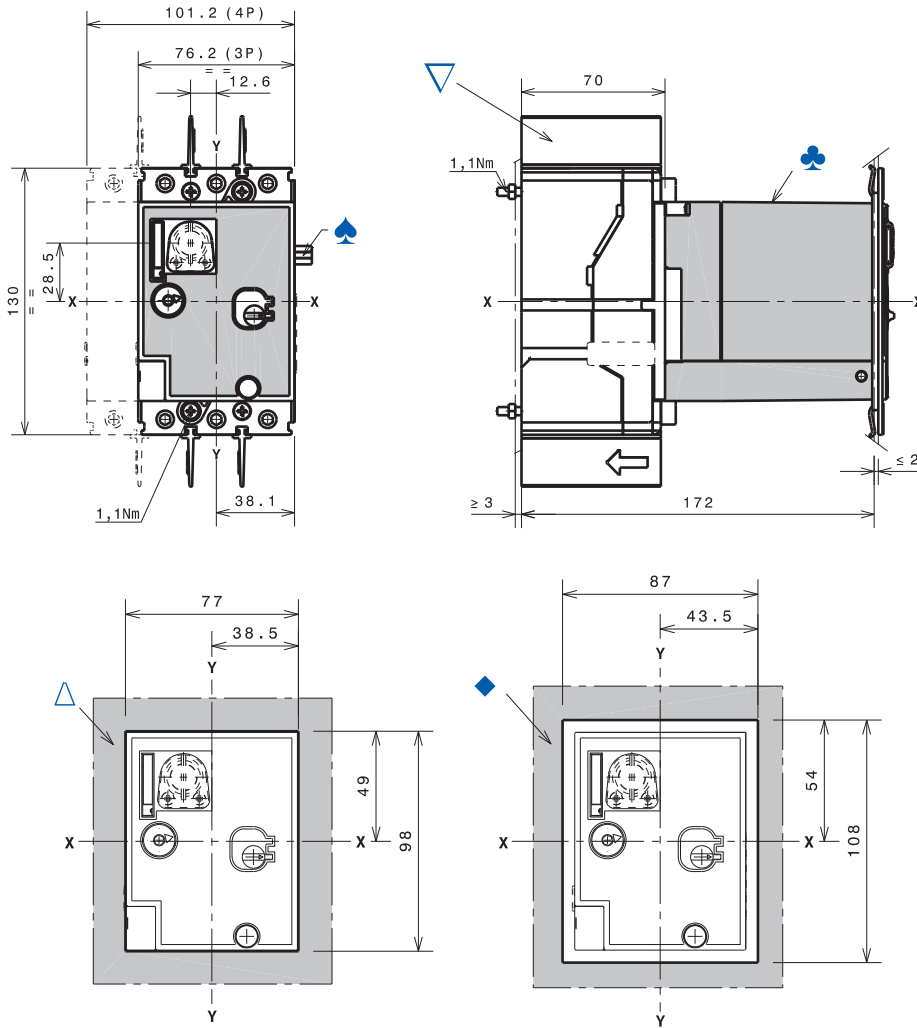
3-Pole



4-Pole



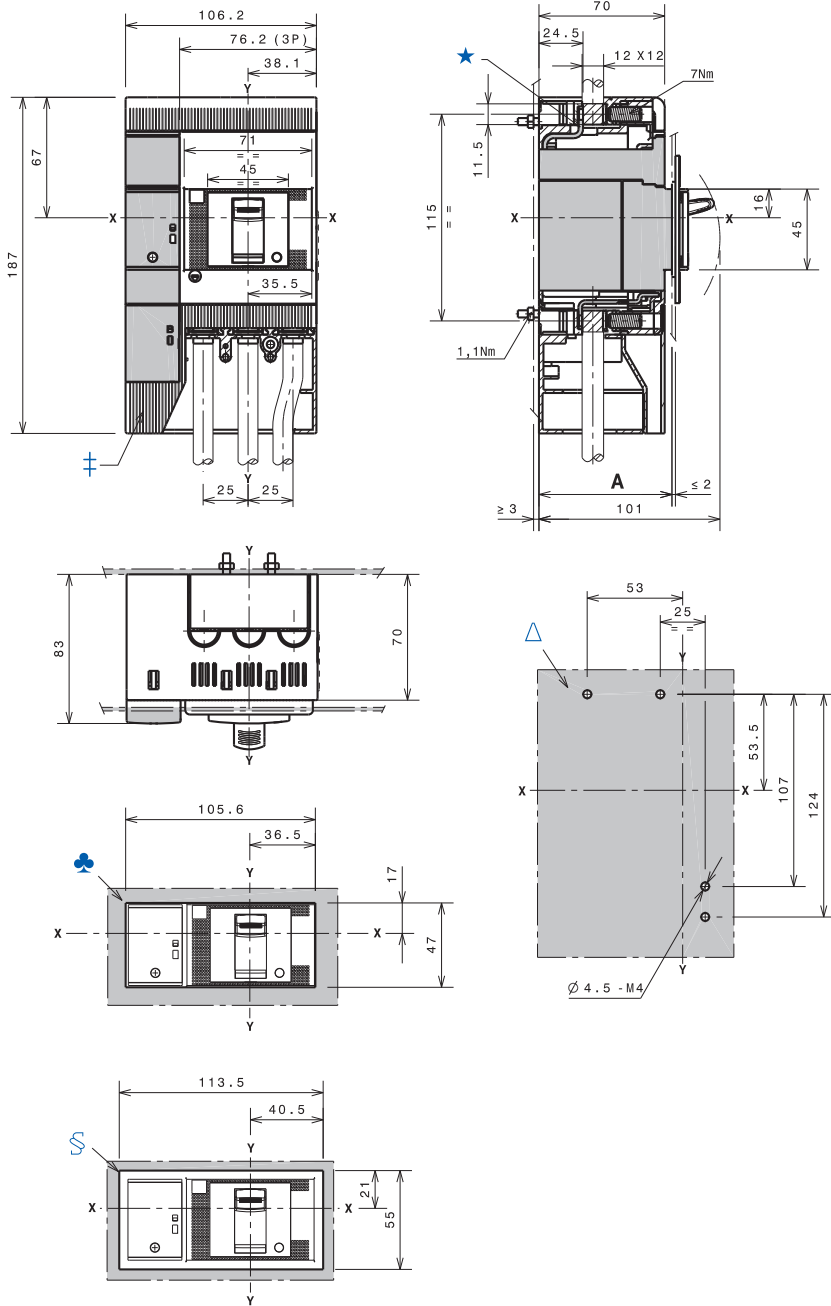
Cat. No. 140G-G-EOP... Motor Operator



- ♣ Motor operator
- △ Door drilling template (without flange)
- ◆ Door drilling template (with flange)
- ♠ Cable connection
- ▽ Required 25 mm insulating phase barriers provided

Bulletin 140G
Molded Case Circuit Breakers
 Approximate Dimensions — 125 A, G-Frame

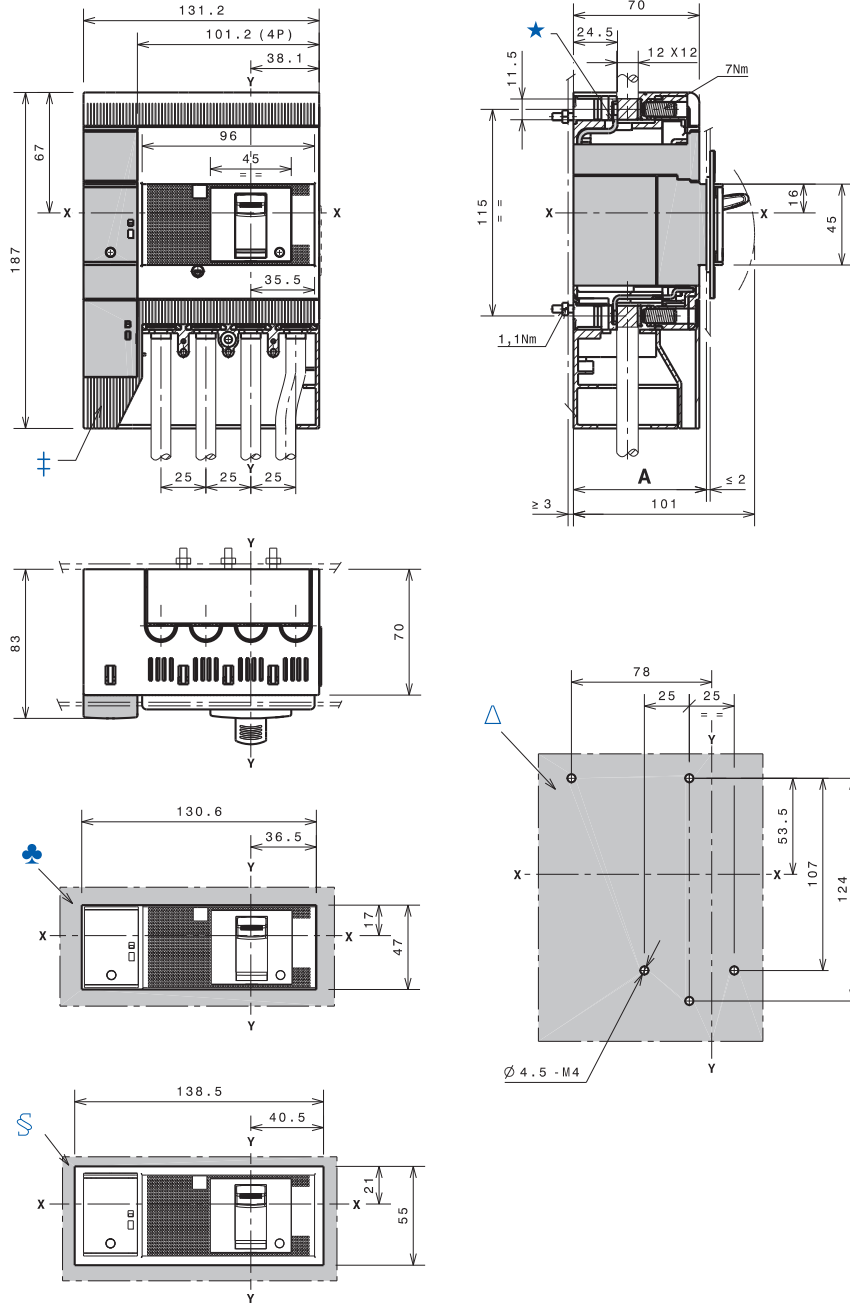
Cat. No. 140G-G-ELP1603 Residual Current Release Module for 3-Pole Molded Case Circuit Breakers



Description	No. of Poles	A
With flange	3	74
Without flange	3	71

- ★ Terminals for busbar connection
- ‡ IP40 terminal covers
- § Drilling template — door with direct rotary mechanism and flange
- ♣ Drilling template — door with direct rotary mechanism, without flange
- △ Drilling template — molded case circuit breaker mounting on mounting plate

Cat. No. 140G-G-ELP1604 Residual Current Release Module for 4-Pole Molded Case Circuit Breakers



Description	No. of Poles	A
With flange	4	74
Without flange	4	71

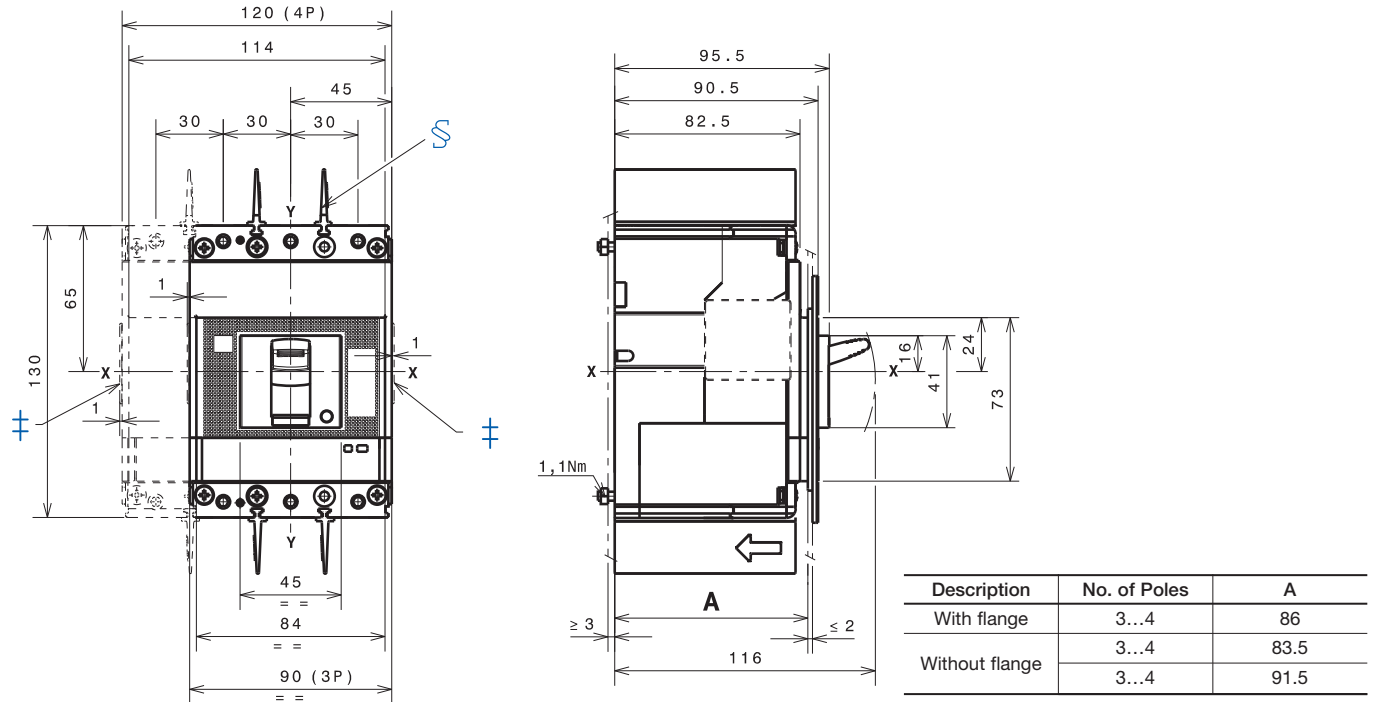
- ★ Terminals for busbar connection
- ‡ IP40 terminal covers
- § Drilling template — door with direct rotary mechanism and flange
- ⚙ Drilling template — door with direct rotary mechanism, without flange
- △ Drilling template — molded case circuit breaker mounting on mounting plate

Molded Case Circuit Breakers

Approximate Dimensions — 125 A, H-Frame

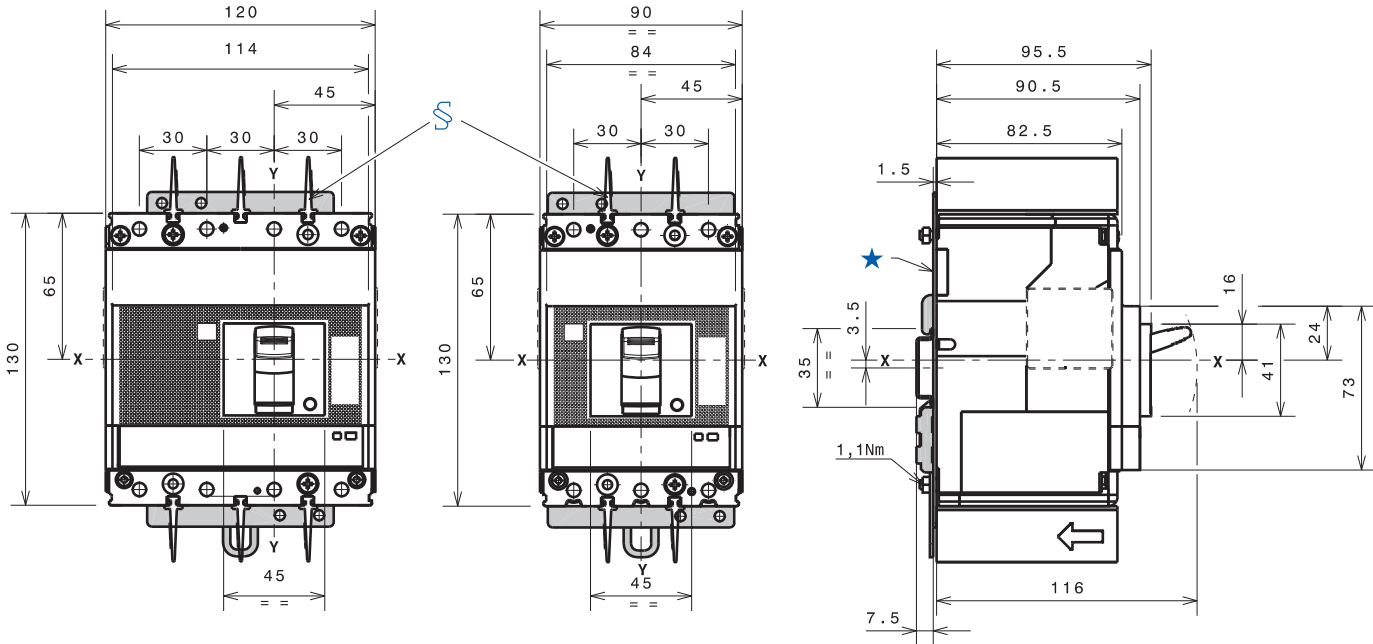
Dimensions are in millimeters. Dimensions are not intended to be used for manufacturing purposes.

Panel Mounted Molded Case Circuit Breaker



‡ Overall dimensions of optional wiring ducts
 § Required 25 mm insulating phase barriers provided

DIN Rail Mounted Molded Case Circuit Breaker

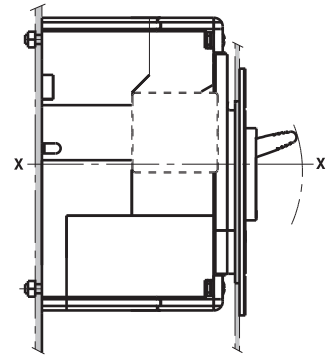
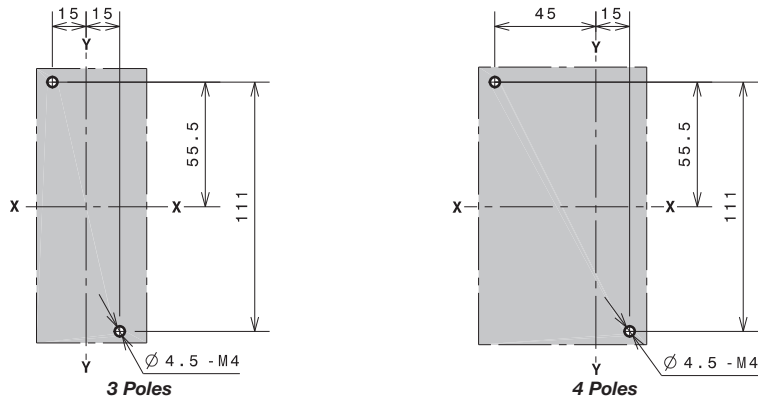


★ Mounting bracket
 § Required 25 mm insulating phase barriers provided

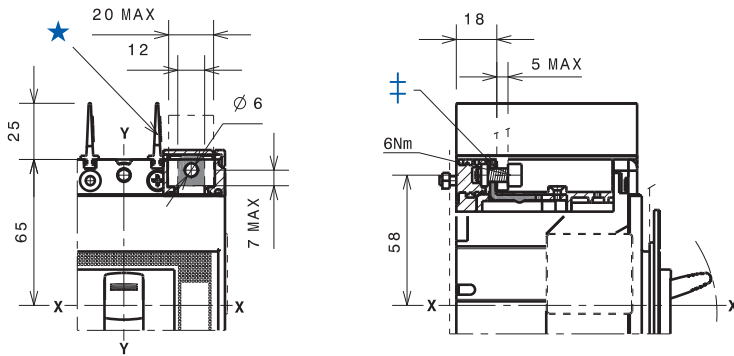
Molded Case Circuit Breakers

Approximate Dimensions — 125 A, H-Frame

Drilling Template for Molded Case Circuit Breaker Mounting



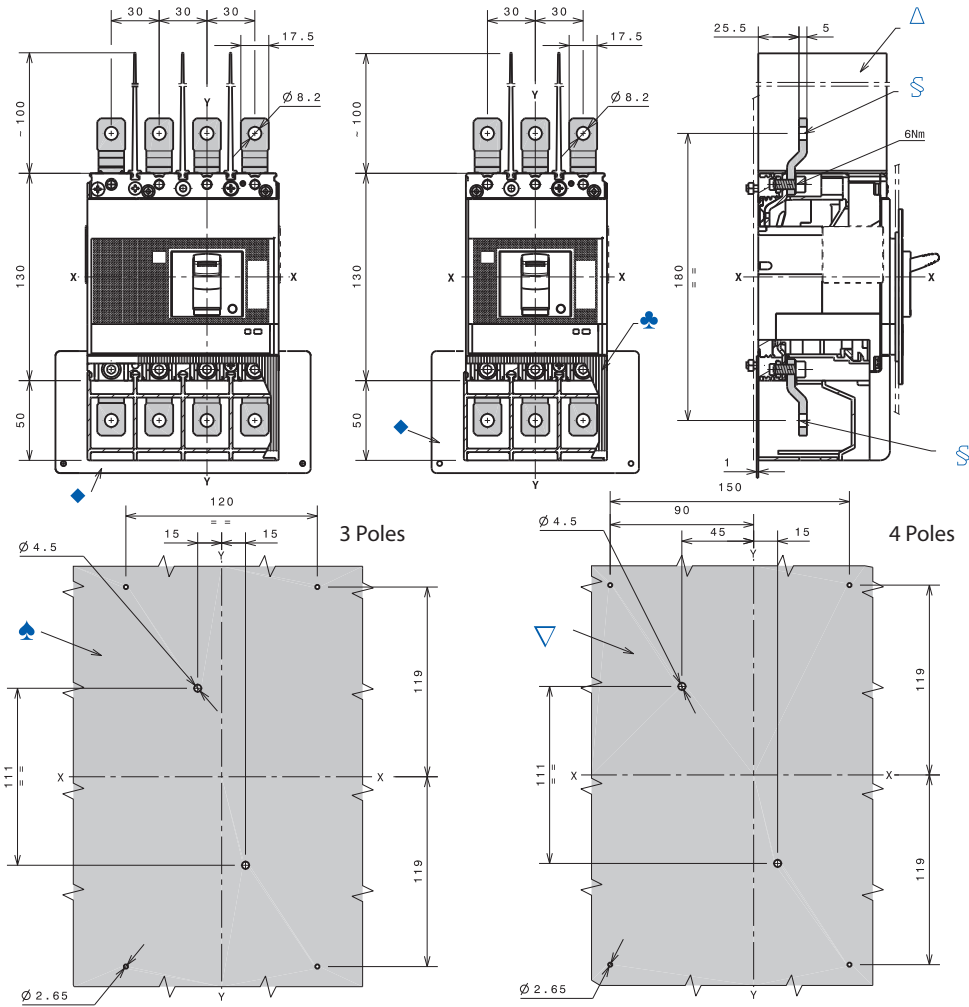
Cat. Nos. 140G-H-ECM, -ECM4 Terminals



- ★ Required 25 mm insulating phase barriers provided
- ⊕ Front terminals for busbar connection

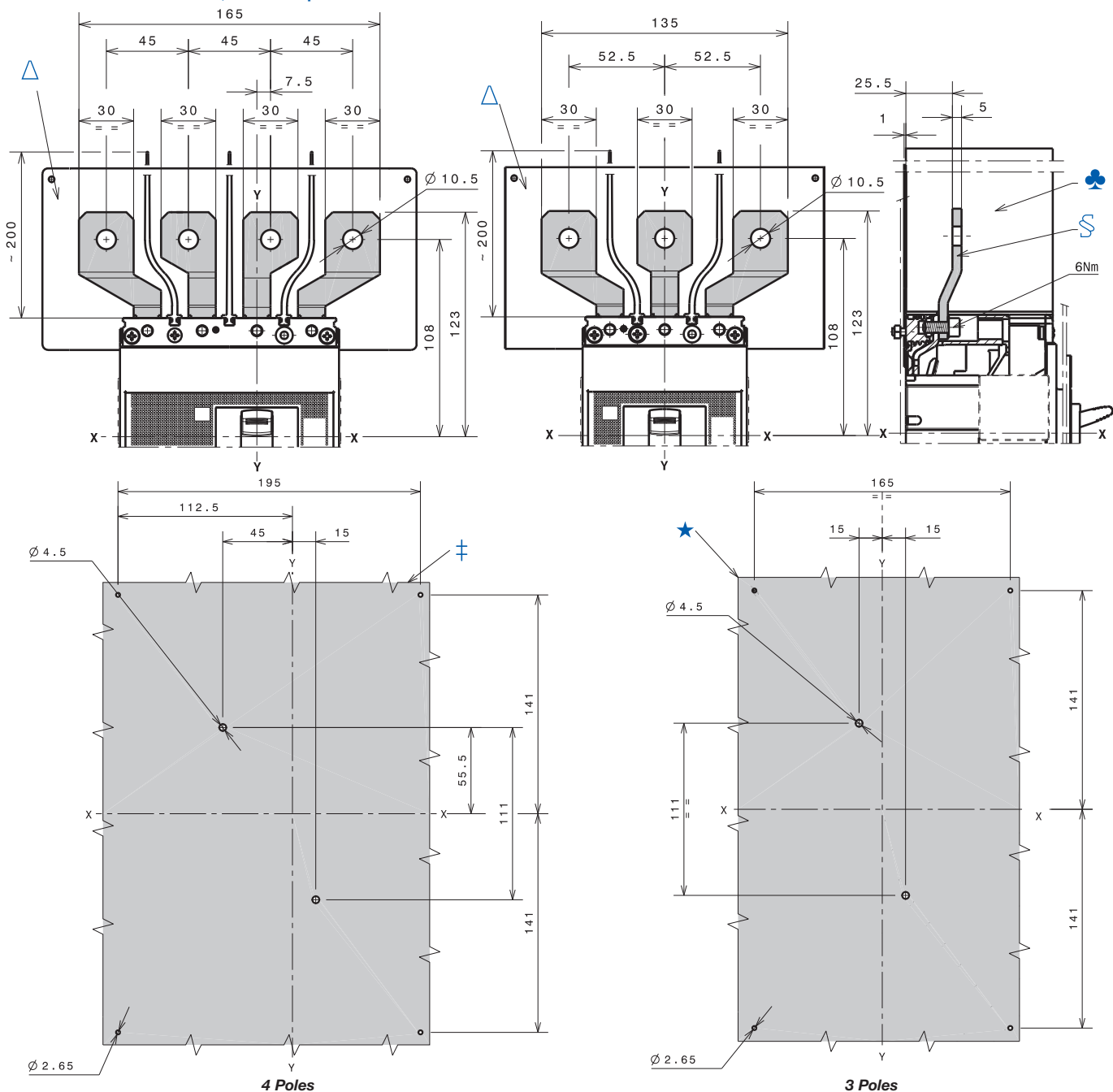
Bulletin 140G
Molded Case Circuit Breakers
 Approximate Dimensions — 125 A, H-Frame

Cat. Nos. 140G-H-EXT3, -EXT4 Extended Terminals



- § Extended terminals
- ♣ Optional terminal covers with IP40 protection provided
- Δ Required 100 mm insulating phase barriers provided
- ♦ Required internal insulating plate provided for breakers with $U_g > 440V$
- ♣ Drilling template for 3-pole molded case circuit breaker, $U_g > 440V$ (required)
- ▼ Drilling template for 4-pole molded case circuit breaker, $U_g > 440V$ (required)

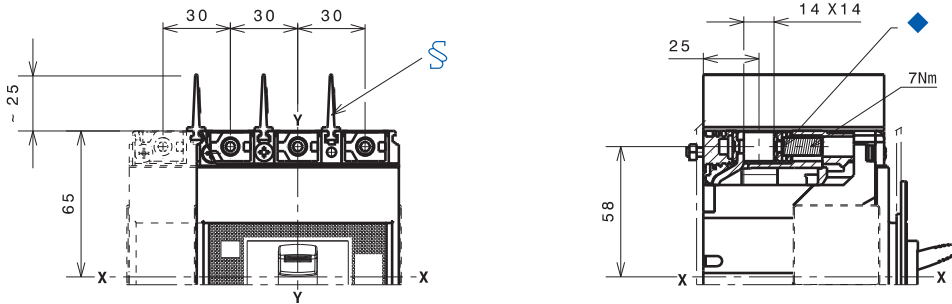
Cat. Nos. 140G-H-EXS3, -EXS4 Spreader Terminals



- ★ Drilling template for 3-pole molded case circuit breaker, $U_e > 440V$ (required)
- ‡ Drilling template for 4-pole molded case circuit breaker, $U_e > 440V$ (required)
- § Extended spread terminals
- ♣ Required 200 mm insulating phase barriers provided
- △ Required insulated plate provided for breakers, with $U_e > 440V$

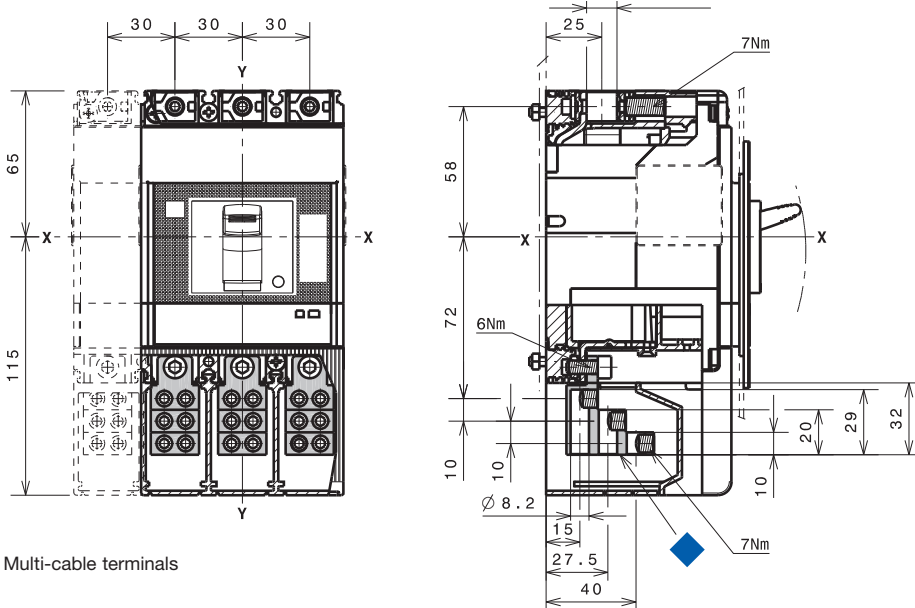
Bulletin 140G
Molded Case Circuit Breakers
 Approximate Dimensions — 125 A, H-Frame

Cat. Nos. 140G-H-TLC13, -TLC14 Terminals



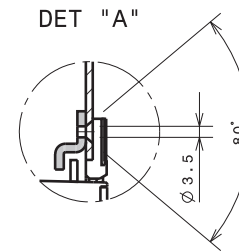
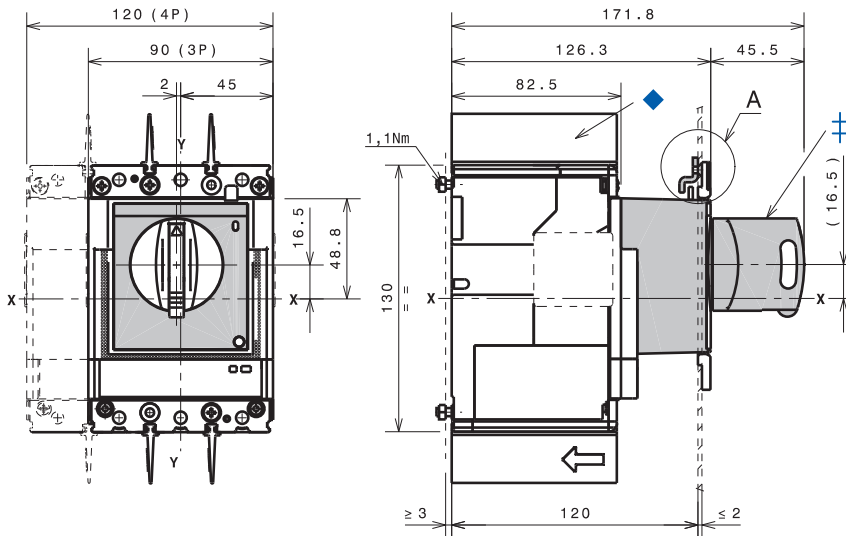
- § Required 25 mm insulating phase barriers provided
- ◆ Copper terminals.

Cat. Nos. 140G-H-MTL63, -MTL64 Terminals



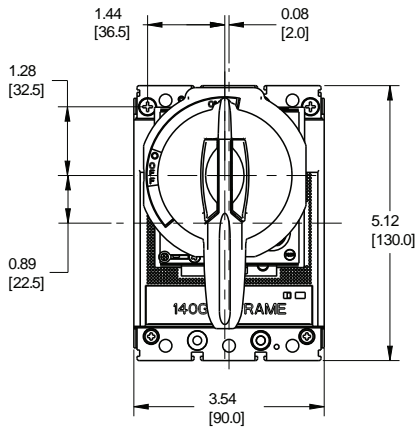
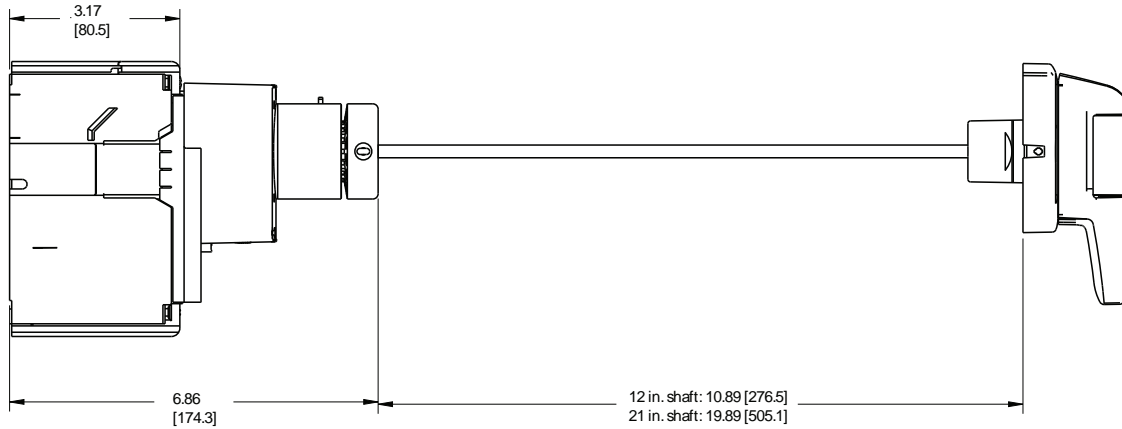
- ◆ Multi-cable terminals

Cat. No. 140G-H-RMB, -RMY Direct Rotary Operating Handle

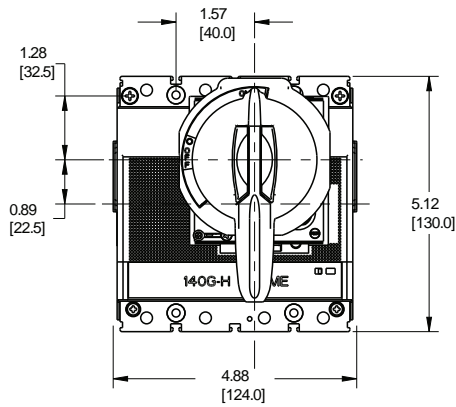


- ‡ Rotary handle operating mechanism on molded case circuit breaker
- ◆ Required 25 mm insulating phase barriers provided

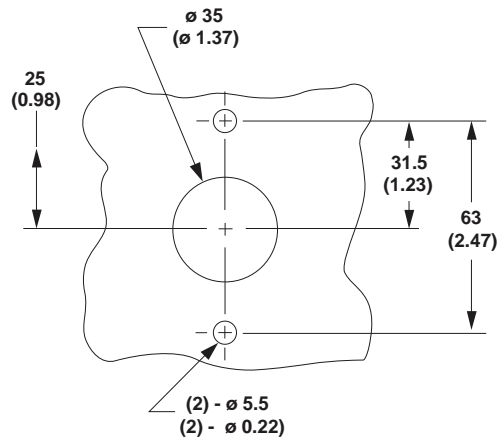
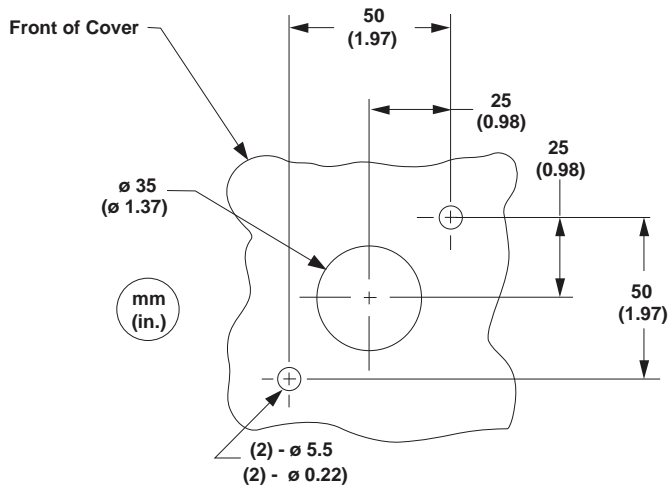
Cat. No. 140G-H-RVM... Rotary Handle Operating Mechanism — Door Mounted



3-Pole

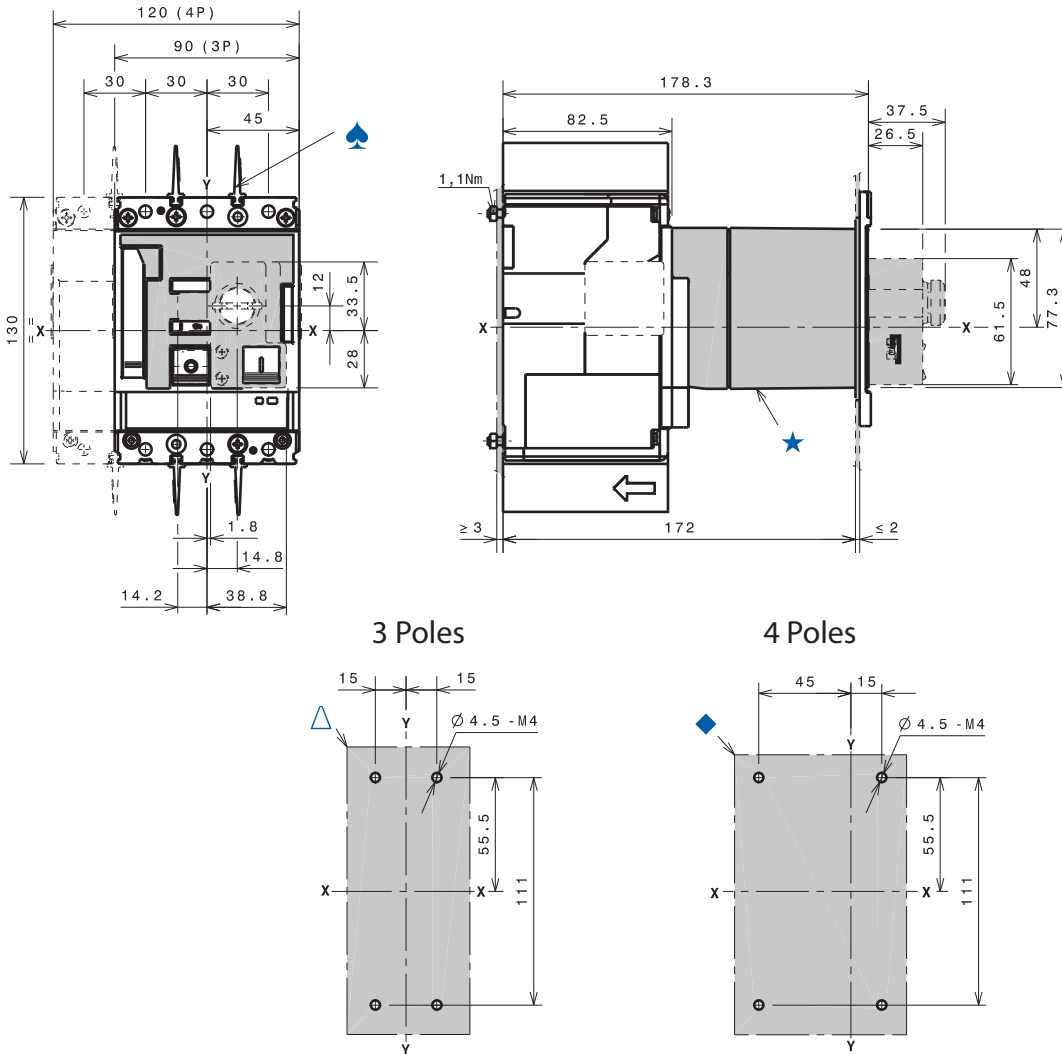


4-Pole



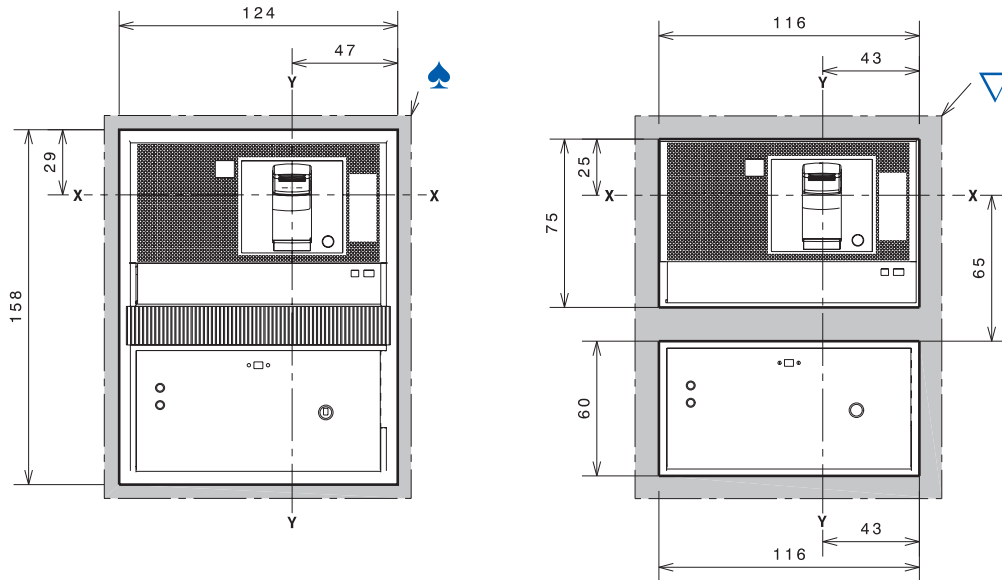
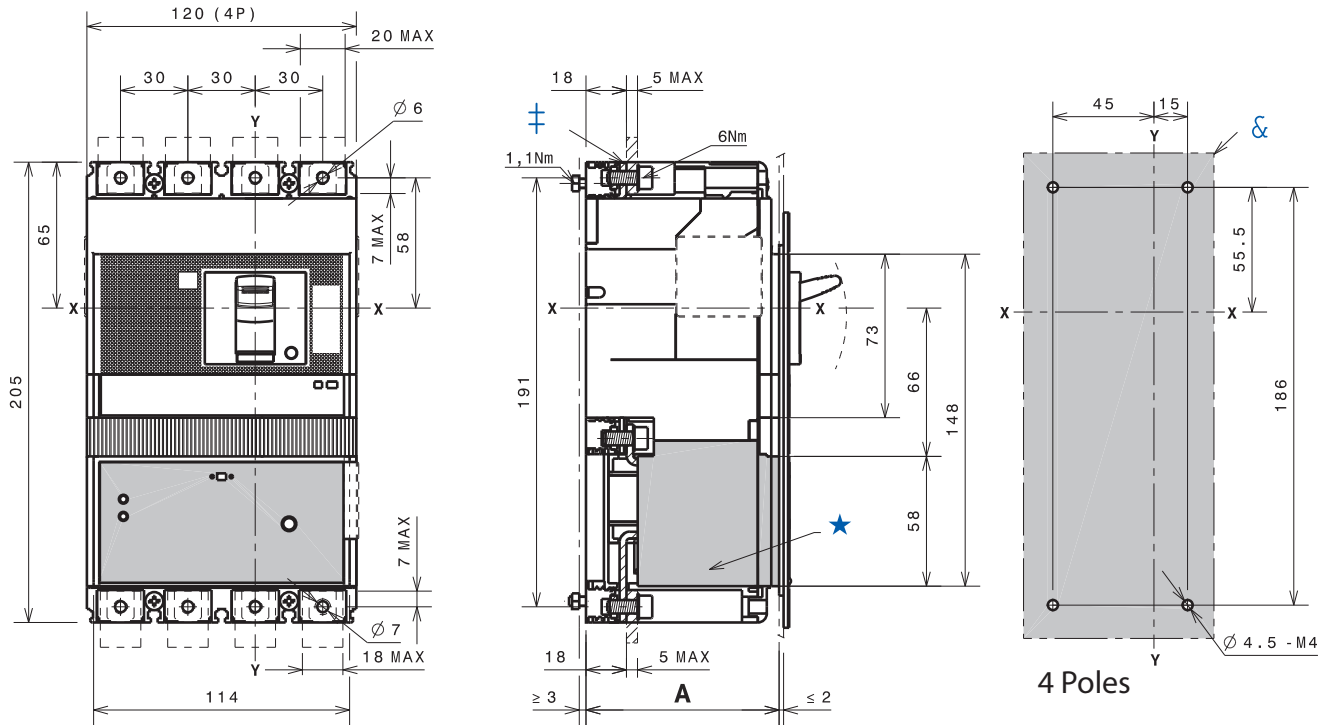
Bulletin 140G
Molded Case Circuit Breakers
 Approximate Dimensions — 125 A, H-Frame

Cat. No. 140G-H-EOP... Motor Operator



- ★ Motor operator
- △ Drilling template for 3-pole molded case circuit breaker, mounted on mounting plate
- ◆ Drilling template for 4-pole molded case circuit breaker, mounted on mounting plate
- ♣ Required 25 mm insulating phase barriers provided

Cat. No. 140G-H-ELP1604 Residual Current Release Module



Description	No. of Poles	A
With flange	4	86
Without flange	4	83.5

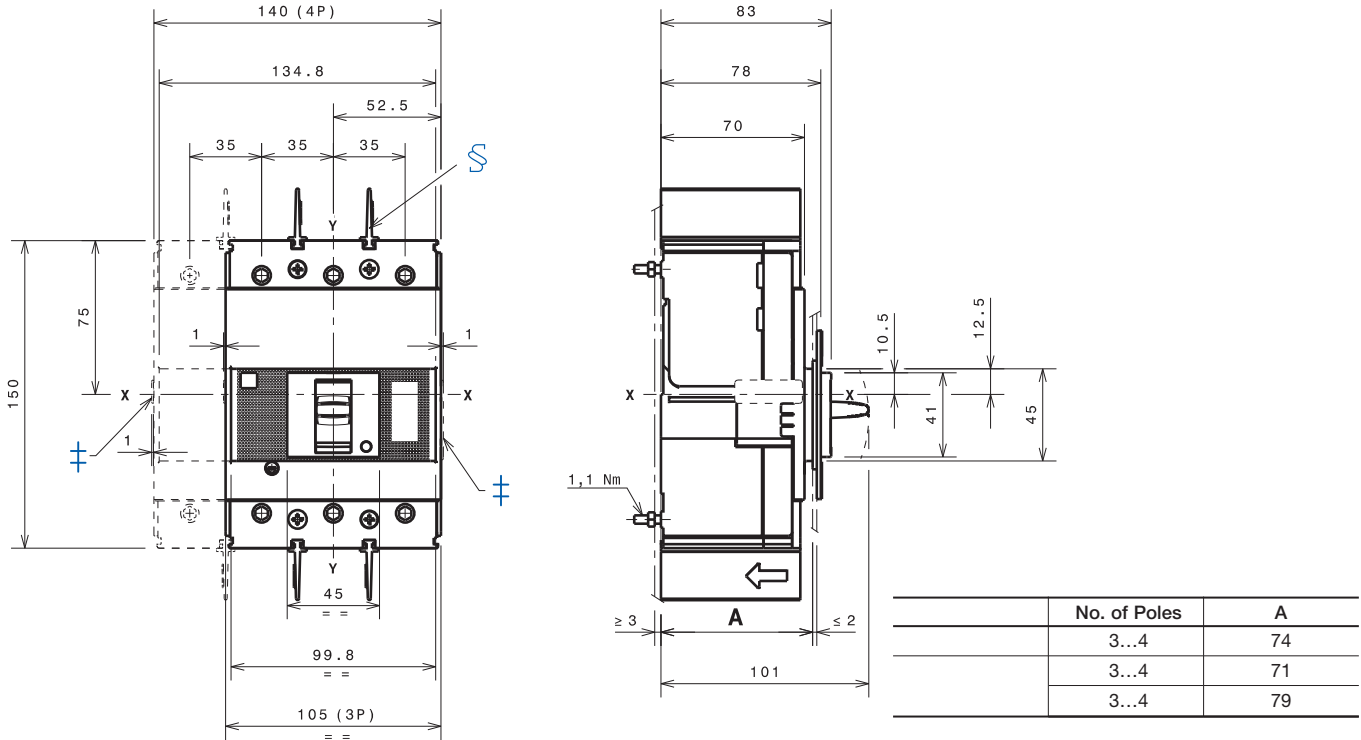
- ★ Residual current module
- ‡ Front terminals
- ▲ Drilling template — door with direct rotary mechanism and flange
- ▼ Drilling template — door with direct rotary mechanism, without flange
- & Drilling template — molded case circuit breaker mounting on mounting plate

Molded Case Circuit Breakers

Approximate Dimensions — 225 A, I-Frame

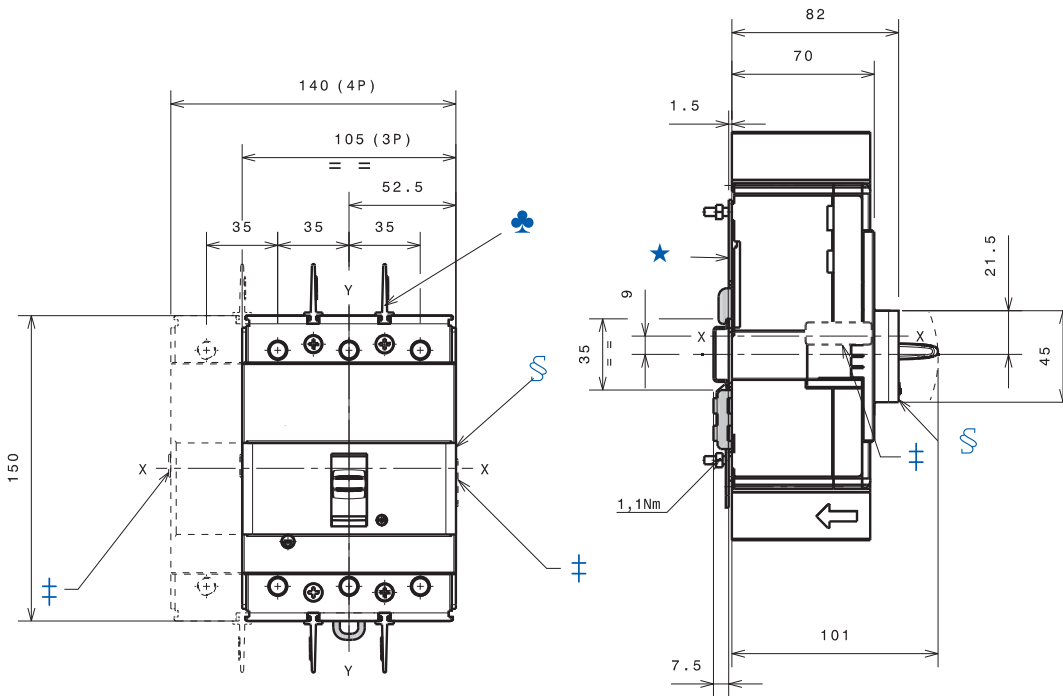
Dimensions are in millimeters. Dimensions are not intended to be used for manufacturing purposes.

Panel Mounted Molded Case Circuit Breaker



- ± Overall dimensions of optional wiring ducts
- § Required 25 mm insulating phases barriers provided

DIN Rail Mounted Molded Case Circuit Breaker

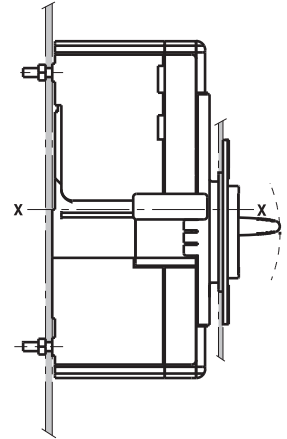
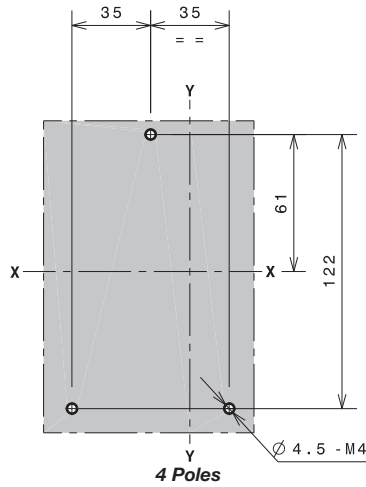
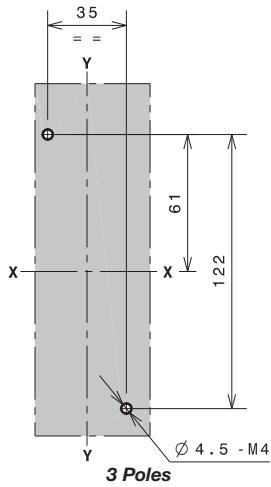


- ★ Mounting bracket
- ± Optional wiring ducts
- § Optional front cover for DIN Rail
- ♣ Required 25 mm insulating phase barriers provided

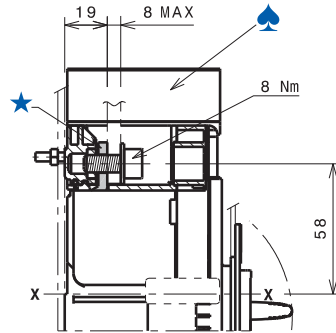
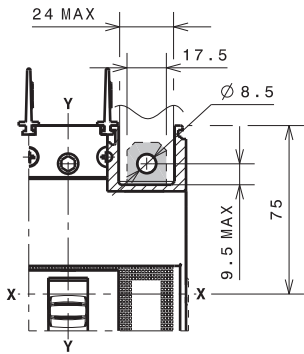
Molded Case Circuit Breakers

Approximate Dimensions — 225 A, I-Frame

Drilling Template for Molded Case Circuit Breaker Mounting

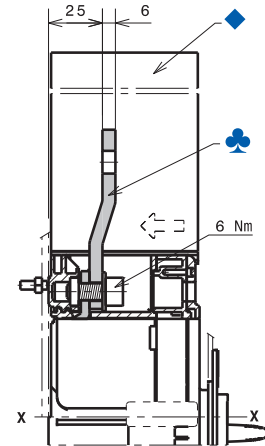
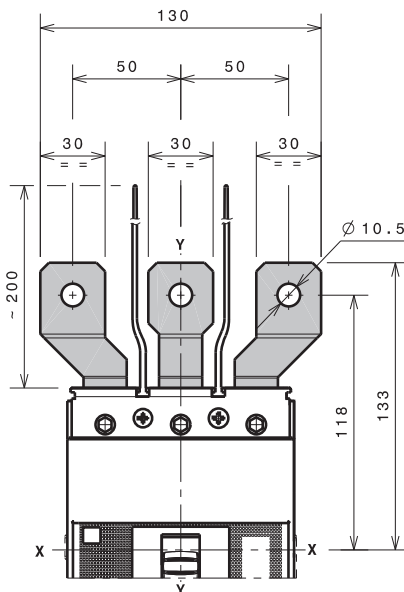
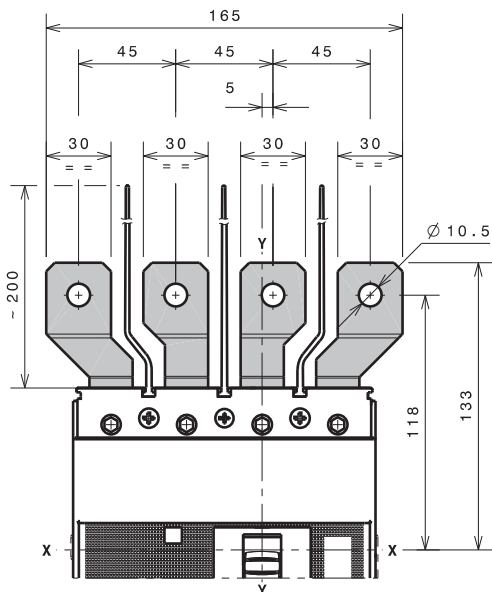


Cat. Nos. 140G-I-ECM, -ECM4 Terminals



- ★ Front terminals for busbar connection
- ‡ Required 25 mm insulating phase barriers provided

Cat. Nos. 140G-J-EXS3, -EXS4 Terminals

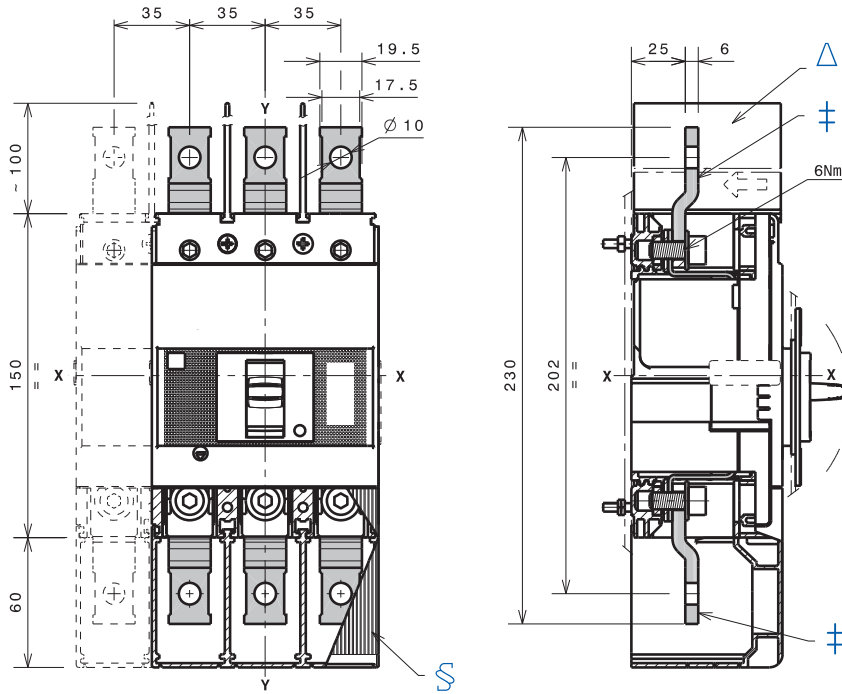


- ♣ Extended spread terminals
- ◆ Required 200 mm insulating phase barriers provided

Molded Case Circuit Breakers

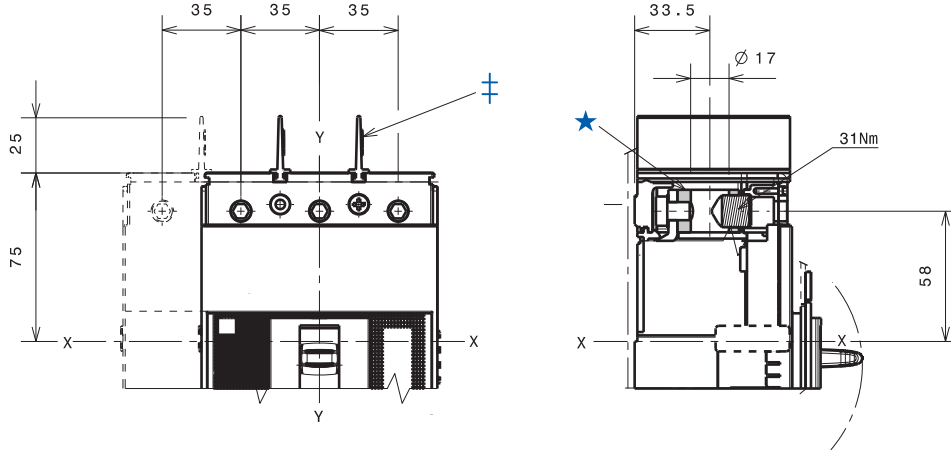
Approximate Dimensions — 225 A, I-Frame

Cat. Nos. 140G-I-EXT3, -EXT4 Extended Terminals



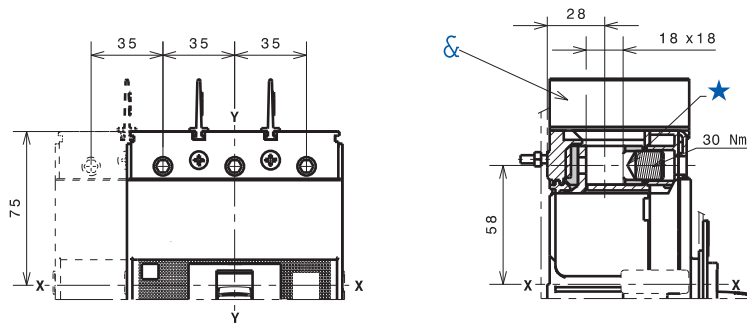
- ⊕ Extended terminals
- § Optional terminal covers with IP40 protection provided
- △ Required 100 mm insulating phase barriers provided

Cat. Nos. 140G-I-TLA1A3, -TLA1A4 Terminals



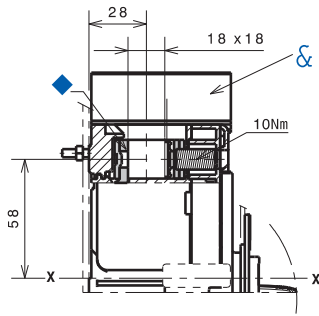
- ★ 30...150 mm² terminals
- ⊕ Required 25 mm insulating phase barriers provided

Cat. Nos. 140G-I-TLA3, -TLA4 Terminals



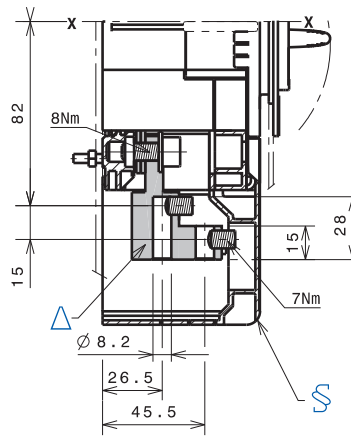
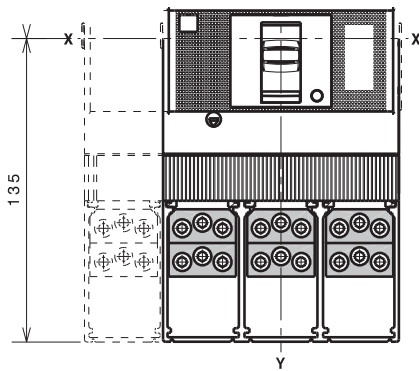
- ★ 1x90...185 mm² terminal
- § Required 25 mm insulating phase barriers provided

Cat. Nos. 140G-I-TLC13, -TLC14 Terminals



- ◆ Front terminals
- & Required 25 mm insulating phase barriers provided

Cat. Nos. 140G-I-MTL63, -MTL64 Terminals

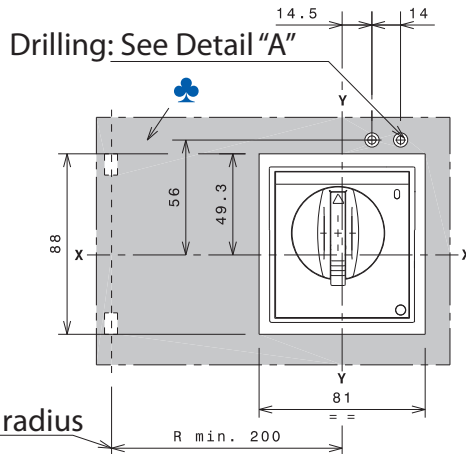
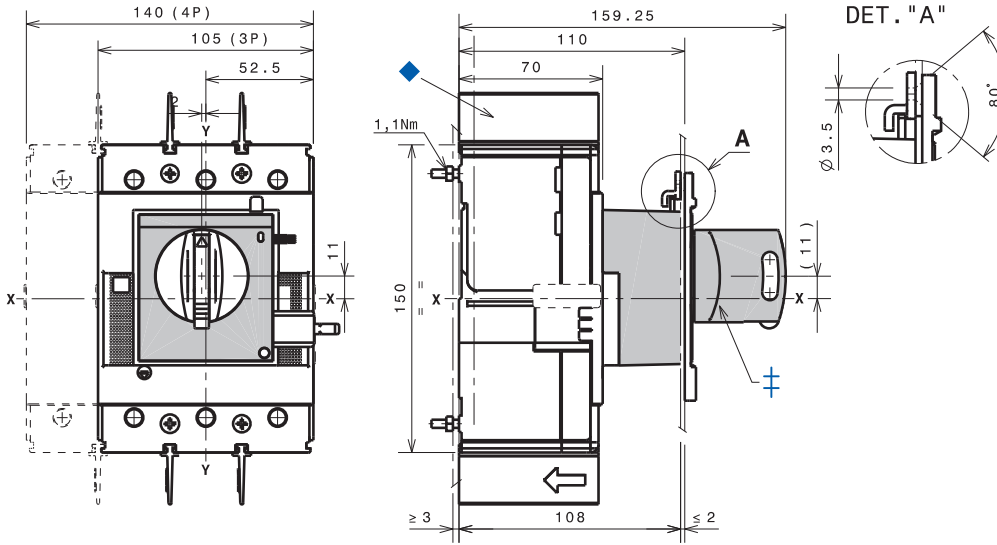


- § Optional terminal covers with IP40 protection provided
- △ Multi-cable terminal lugs

Molded Case Circuit Breakers

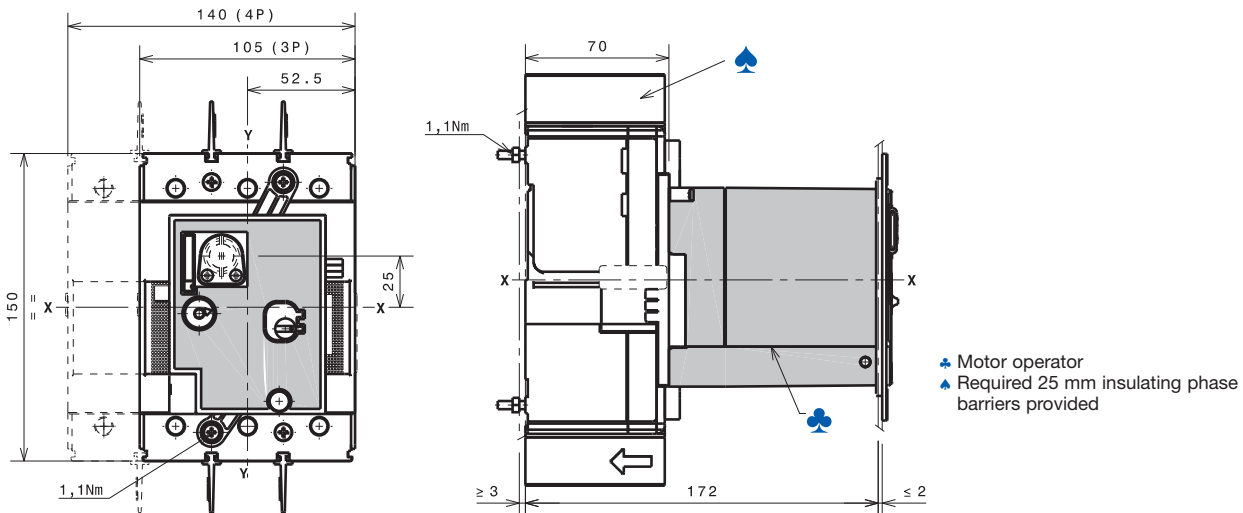
Approximate Dimensions — 225 A, I-Frame

Cat. No. 140G-G-RMB, -RMY Direct Rotary Operating Handle (For I- and G-Frame Molded Case Circuit Breaker)



- ‡ Rotary handle operating mechanism on molded case circuit breaker
- ♣ Door drilling template with direct rotary handle
- ◆ Required 25 mm insulating phase barriers provided

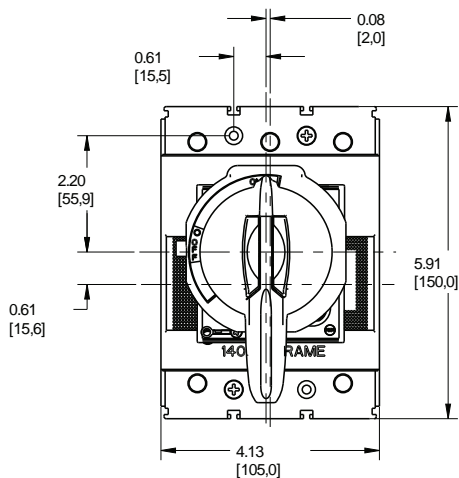
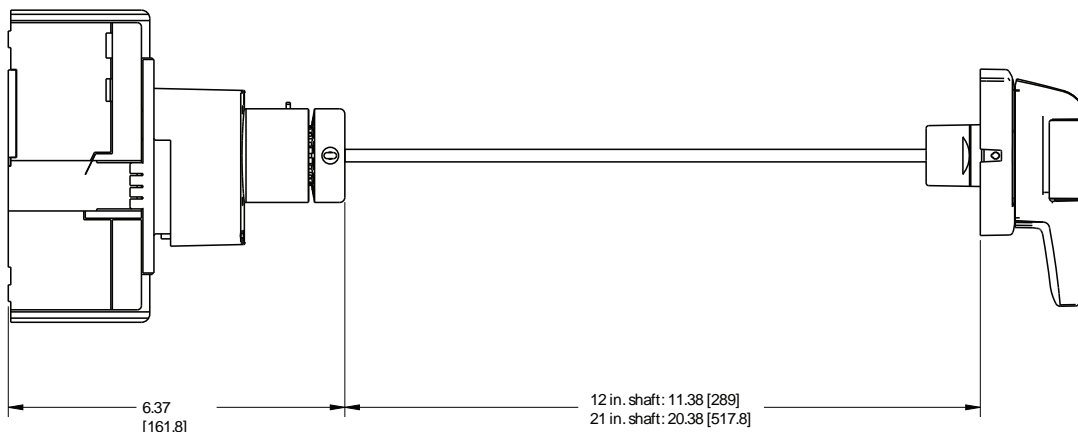
Cat. No. 140G-G-EOP... Motor Operator (I-Frame)



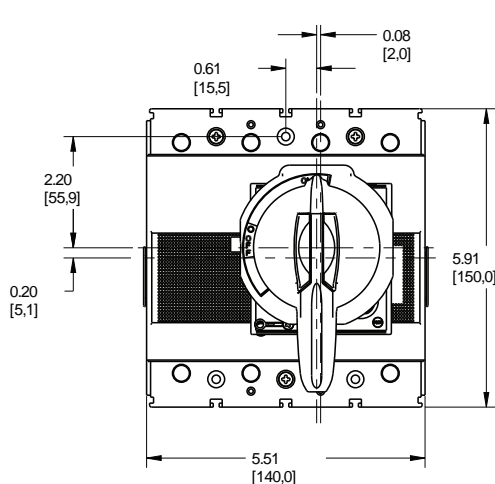
- ‡ Motor operator
- ♣ Required 25 mm insulating phase barriers provided



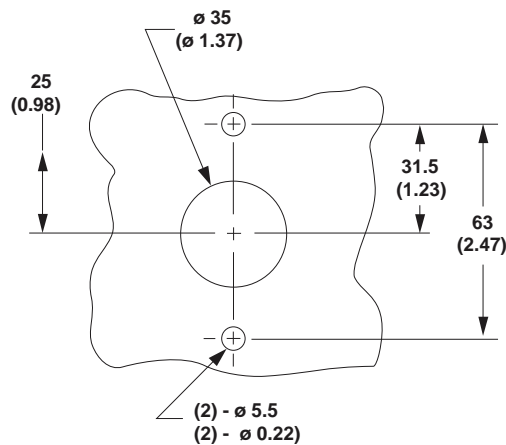
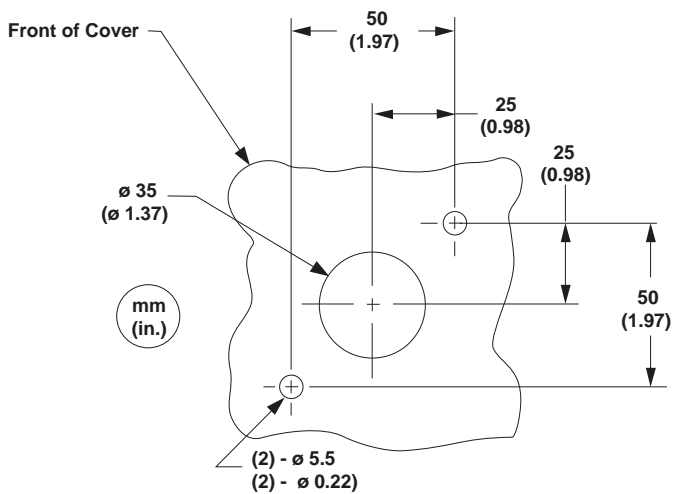
Cat. No. 140G-G-RVM... Variable Depth Rotary Handle Operating Mechanism (For I-Frame Molded Case Circuit Breaker)



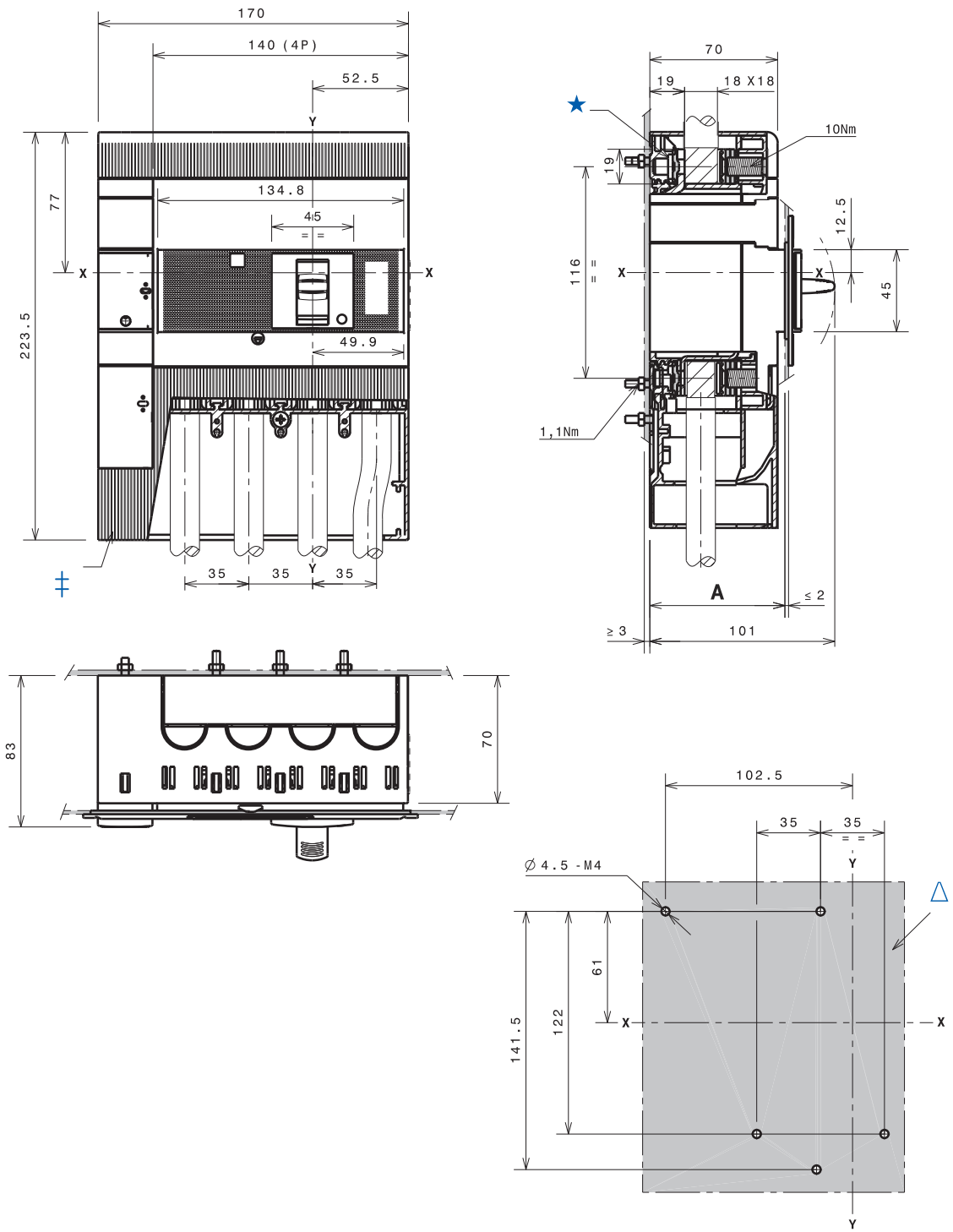
3-Pole



4-Pole



Cat. No. 140G-I-ELP2504 Residual Current Release Module for 4-Pole Molded Case Circuit Breakers



Description	No. of Poles	A
With flange	4	74
Without flange	4	71

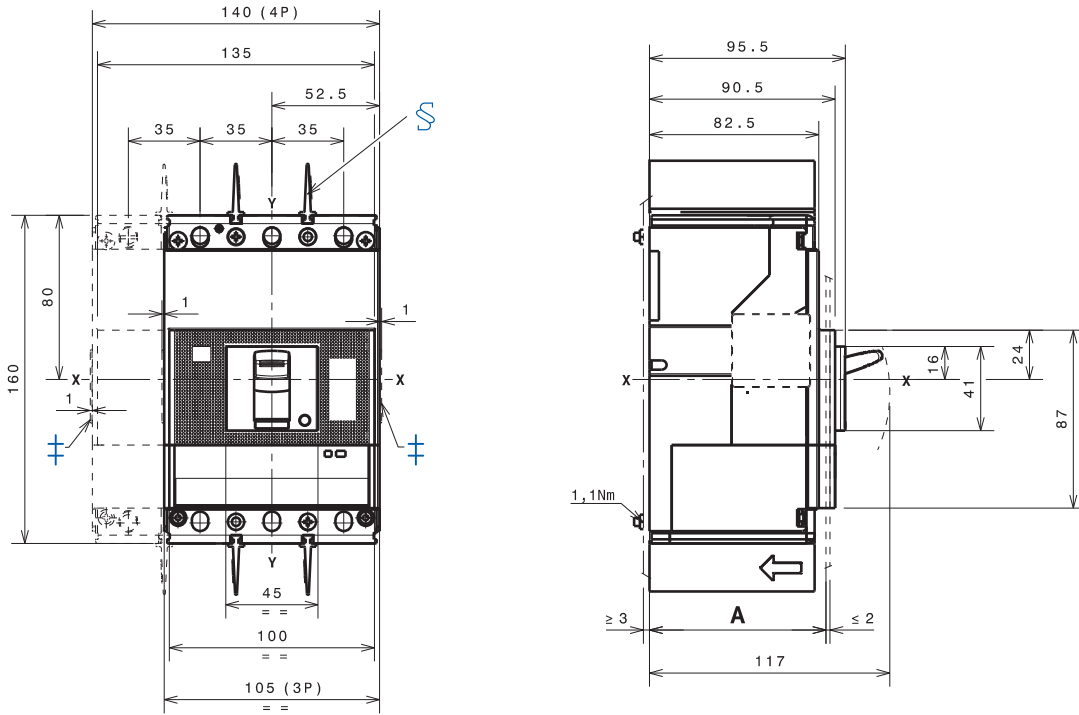
- ★ Terminals for busbar connection
- ‡ Terminal covers with IP40 protection
- △ Drilling template — molded case circuit breaker mounting on mounting plate

Molded Case Circuit Breakers

Approximate Dimensions — 250 A, J-Frame

Dimensions are in millimeters. Dimensions are not intended to be used for manufacturing purposes.

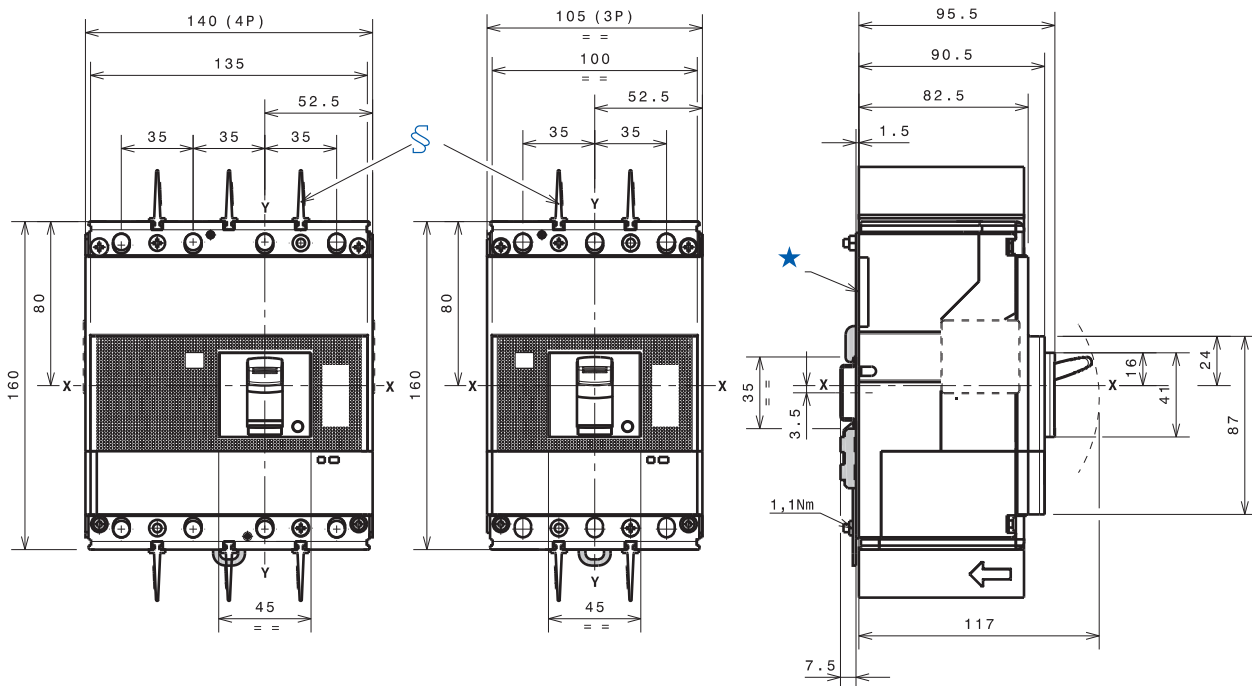
Panel Mounted Molded Case Circuit Breaker



‡ Overall dimensions of optional wiring ducts.
 § Required 25 mm insulating phase barriers provided.

Description	No. of Poles	A
With flange	3...4	86
Without flange	3...4	83.5
	3...4	91.5

DIN Rail Mounted Molded Case Circuit Breaker

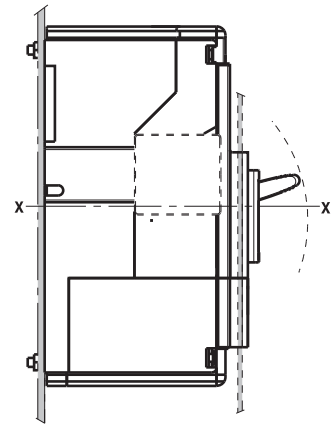
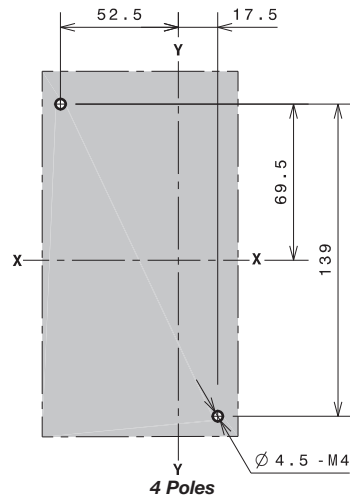
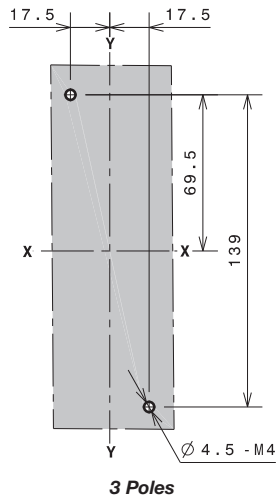


★ Mounting bracket
 § Required 25 mm insulating phase barriers provided

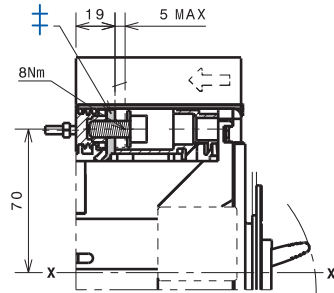
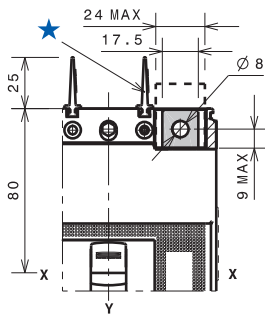
Molded Case Circuit Breakers

Approximate Dimensions — 250 A, J-Frame

Drilling Template for Molded Case Circuit Breaker Mounting



Cat. Nos. 140G-J-ECM, -ECM4 Terminals

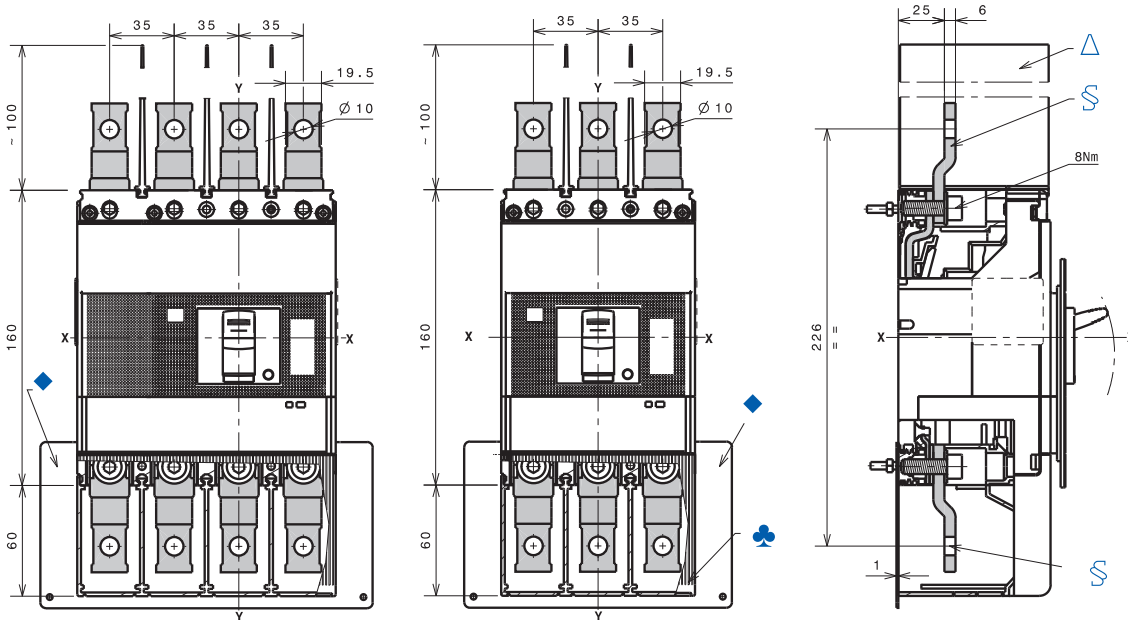


- ★ Required 25 mm insulating phase barriers provided
- ‡ Terminals for busbar connection

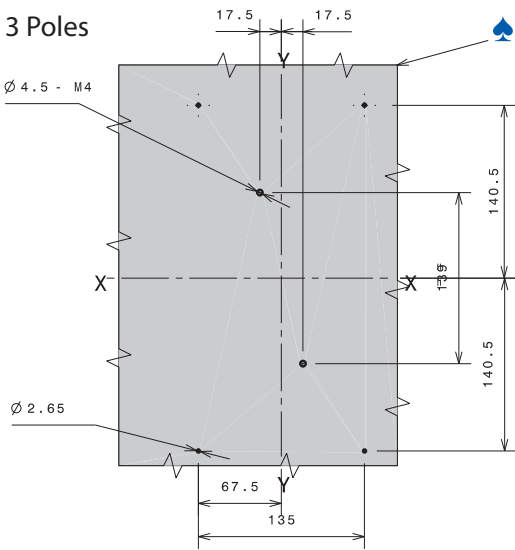
Molded Case Circuit Breakers

Approximate Dimensions — 250 A, J-Frame

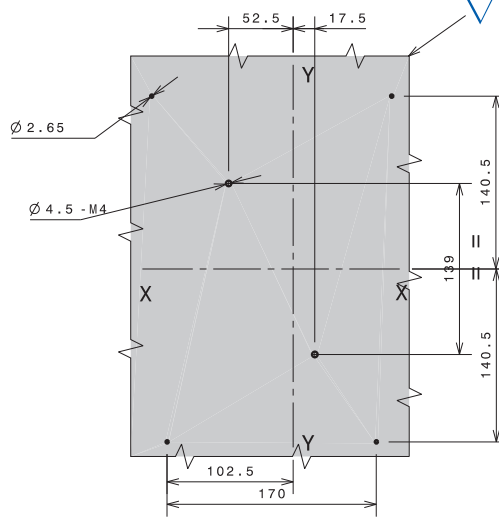
Cat. Nos. 140G-J-EXT3, -EXT4 Extended Terminals



3 Poles

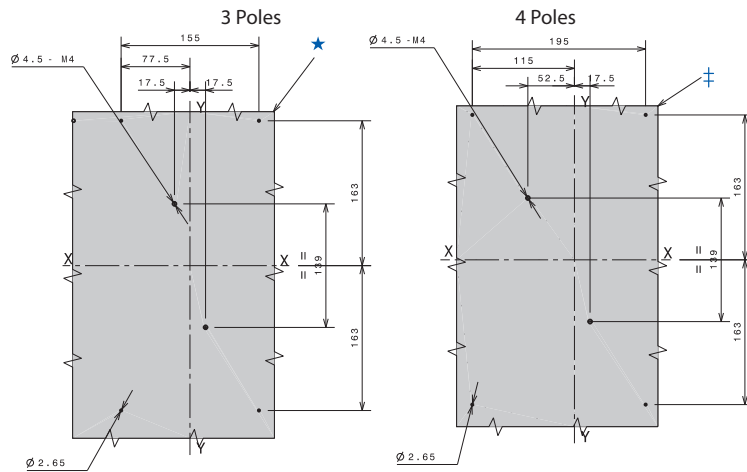
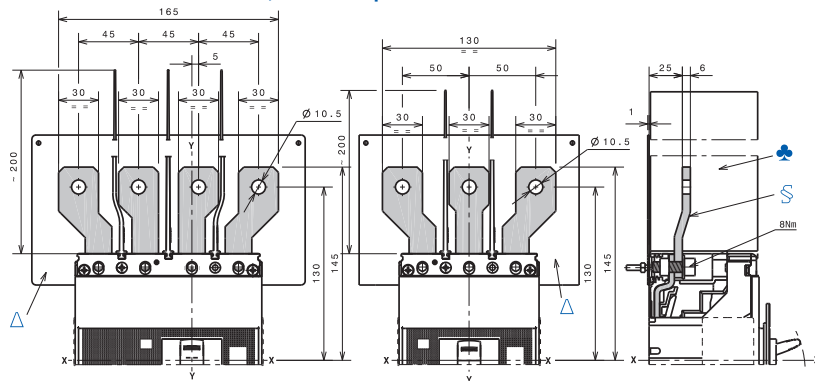


4 Poles



- § Extended terminals
- ♣ Optional terminal covers with IP40 protection provided
- △ Required 100 mm insulating phase barriers provided
- ◆ Required insulating plate provided for molded case circuit breaker with $U_0 > 440V$
- ♠ Drilling template for 3-pole molded case circuit breaker
- ▽ Drilling template for 4-pole molded case circuit breaker

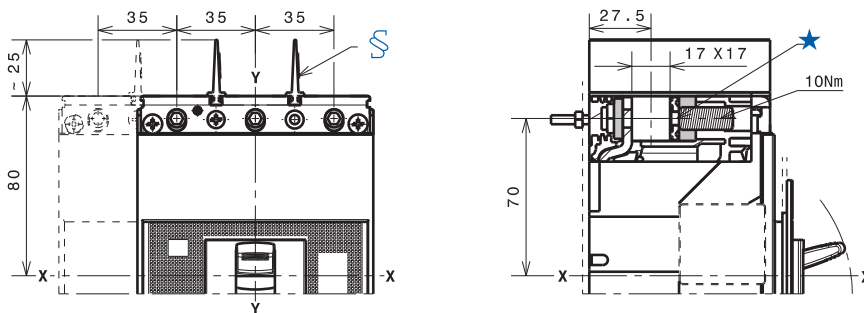
Cat. Nos. 140G-J-EXS3, -EXS4 Spreader Terminals



- ★ Drilling template for 3-pole molded case circuit breaker
- ‡ Drilling template for 4-pole molded case circuit breaker
- § Extended spread terminals
- ♣ Required 200 mm insulating phase barriers provided
- △ Required insulated plate provided for molded case circuit breaker with $U_e > 440V$

Cat. Nos. 140G-J-TLA13, -TLA14 Terminal Lugs

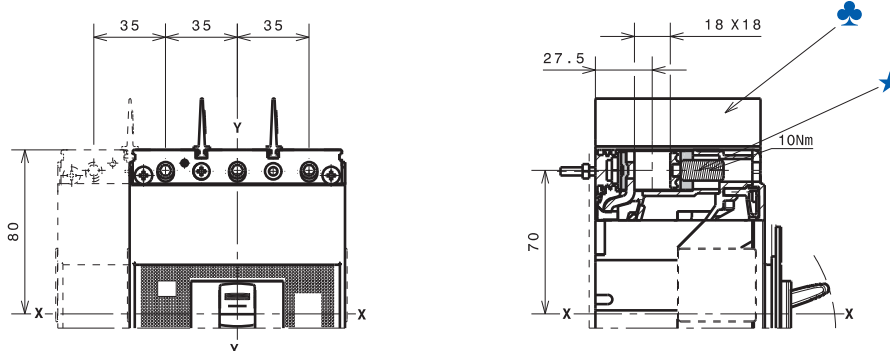
Aluminum Conductor: 6...350 MCM (2.5...185 mm)
 Copper Conductor: 10...350 MCM (6...185 mm)



- ★ 1x1...185 mm² front terminal
- § Required 25 mm insulating phase barriers provided

Cat. Nos. 140G-J-TLC13, -TLC14 Terminal Lugs

10...350 MCM (6...185 mm)

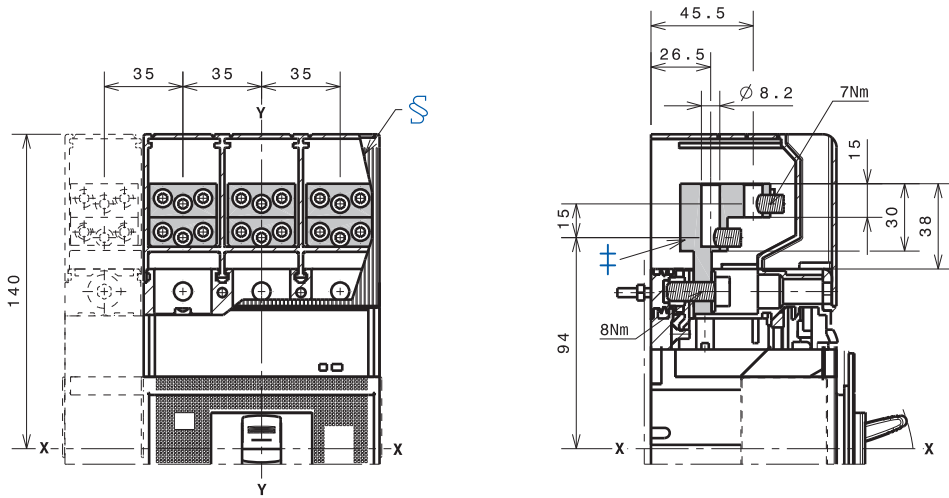


- ★ External terminals
- ♣ Required 25 mm insulating phase barriers provided

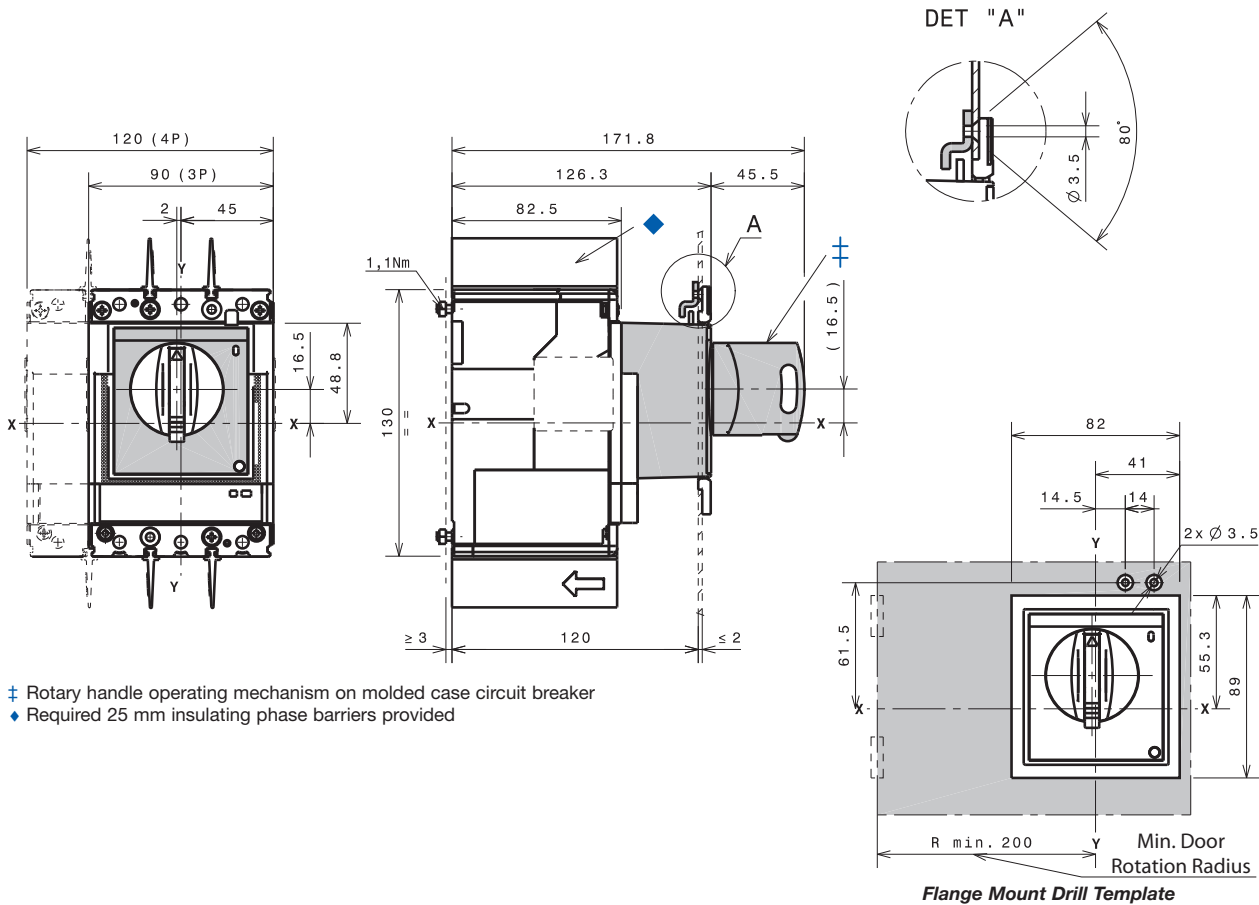
Molded Case Circuit Breakers

Approximate Dimensions — 250 A, J-Frame

Cat. Nos. 140G-J-MTL63, -MTL64 Terminals

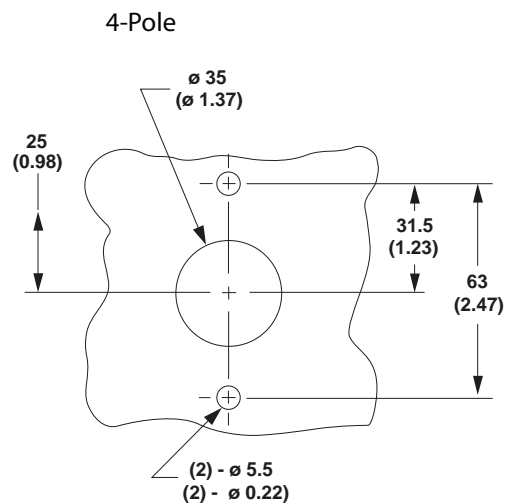
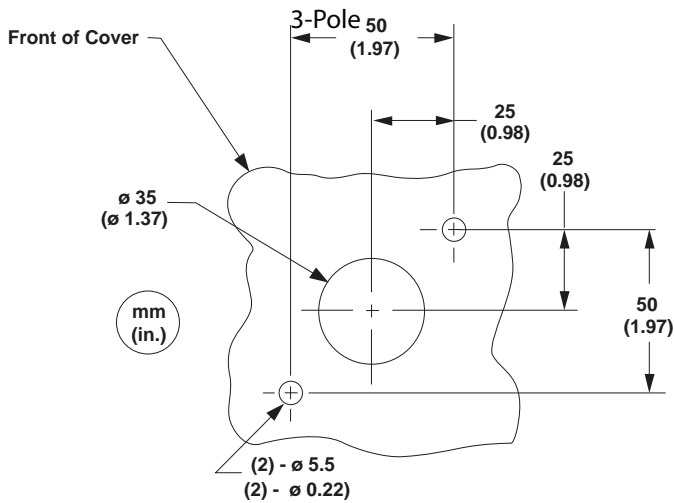
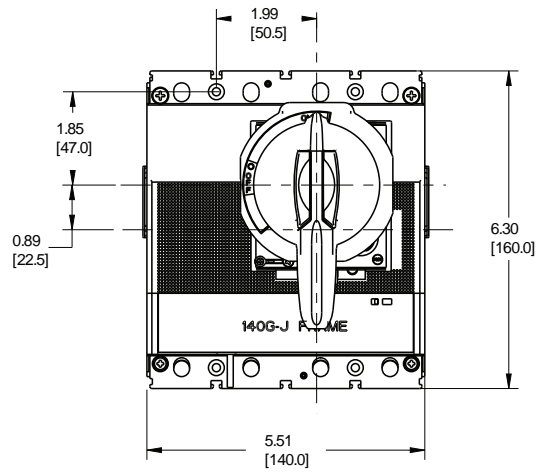
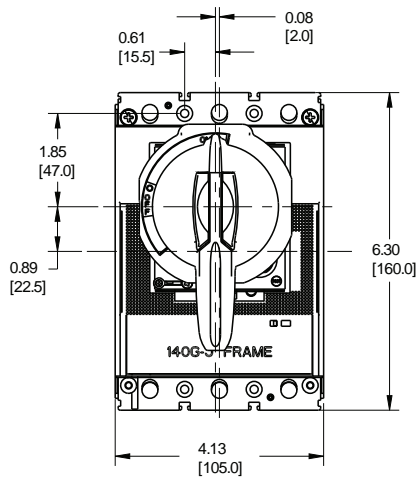
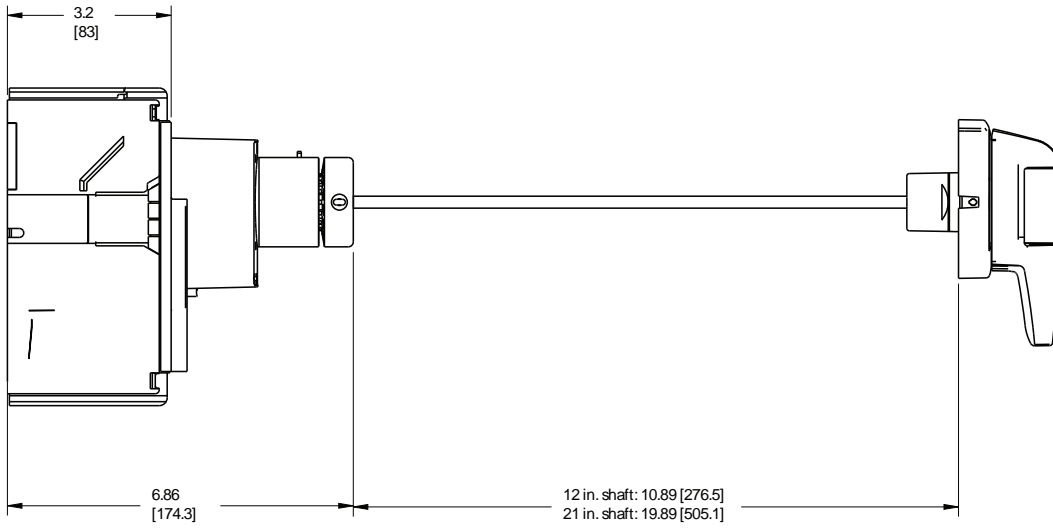


- ‡ Multi-cable terminal lugs
- § Optional terminal covers with IP40 protection provided



- ‡ Rotary handle operating mechanism on molded case circuit breaker
- ◆ Required 25 mm insulating phase barriers provided

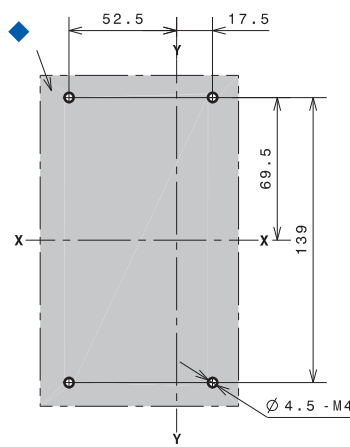
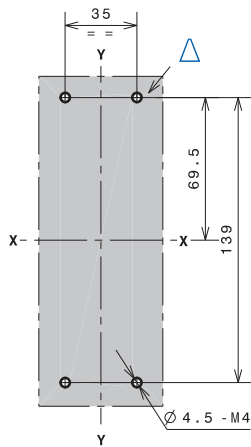
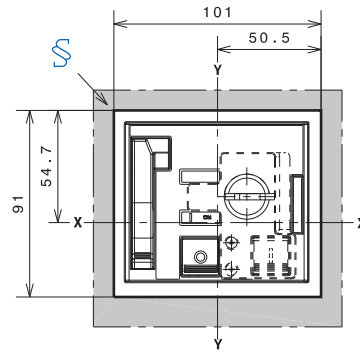
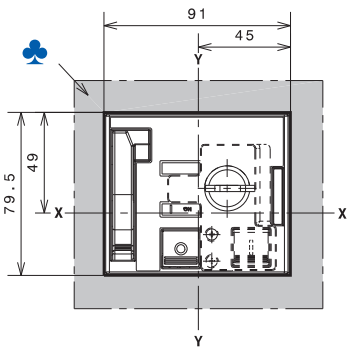
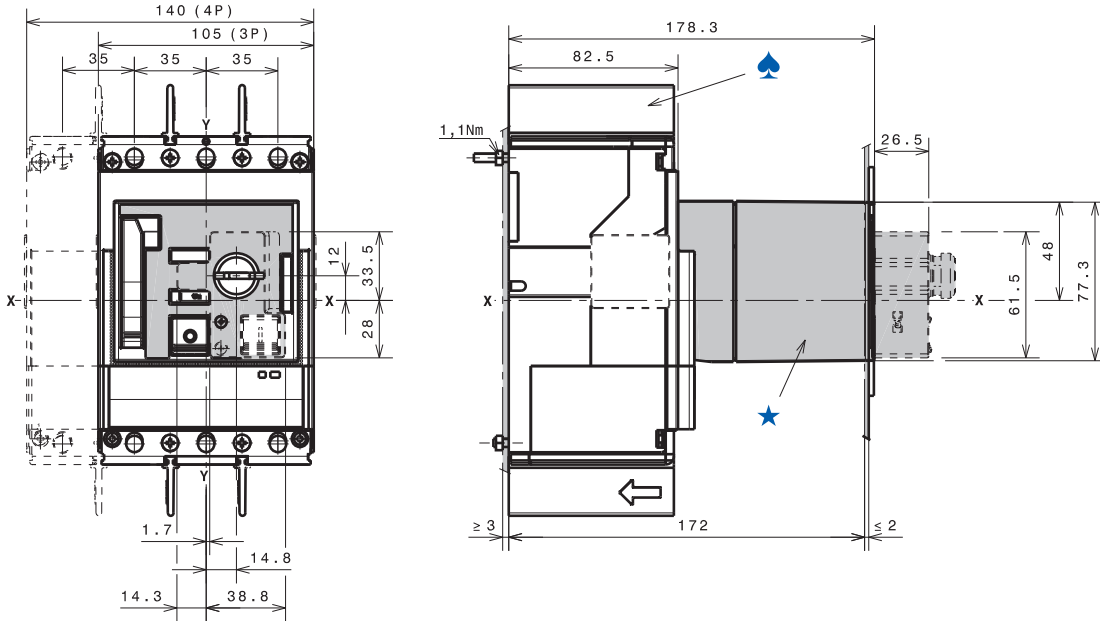
Cat. No. 140G-H-RVM... Variable Depth Rotary Handle Operating Mechanism (For J-Frame Molded Case Circuit Breaker)



Molded Case Circuit Breakers

Approximate Dimensions — 250 A, J-Frame

Cat. No. 140G-H-EOP... Motor Operator – For H- & J-Frame Molded Case Circuit Breaker

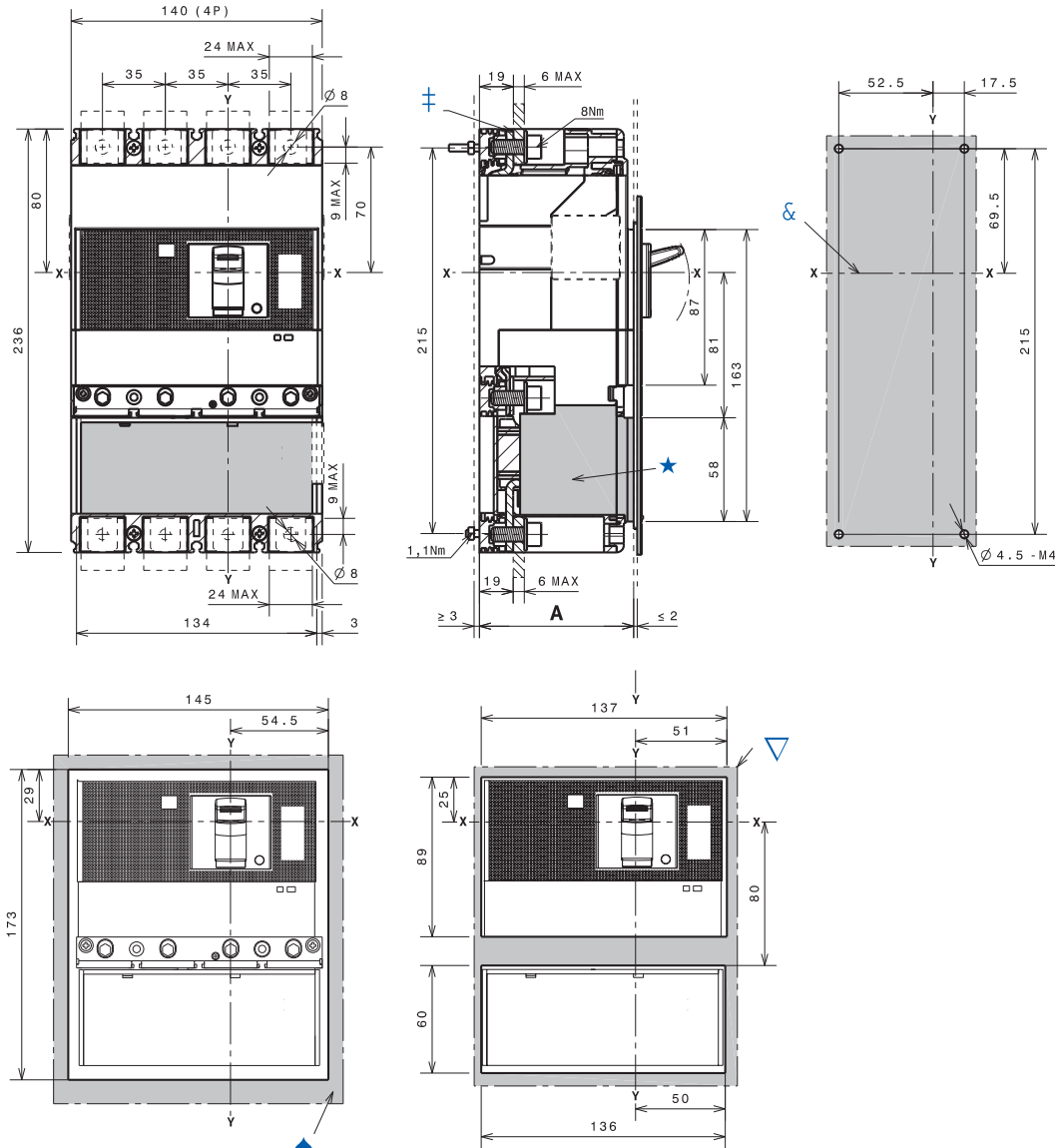


3 Poles

4 Poles

- ★ Motor operator
- S Drilling template for door with motor operator with flange
- ♣ Drilling template for door with motor operator without flange
- △ Drilling template for 3-pole molded case circuit breaker, mounted on mounting plate
- ◆ Drilling template for 4-pole molded case circuit breaker, mounted on mounting plate
- ▲ Required 25 mm insulating phase barriers provided

Cat. No. 140G-J-EP2504 Residual Current Release Module for 4-Pole Molded Case Circuit Breakers



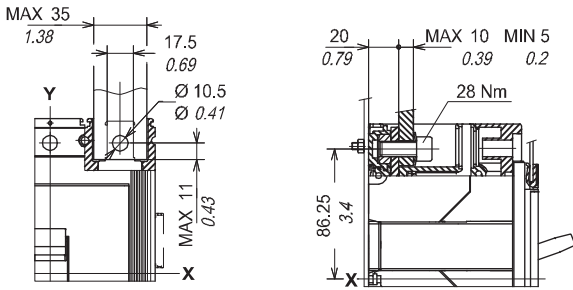
Description	No. of Poles	A
With flange	4	86
Without flange	4	83.5

- ★ Residual current module
- ‡ Front terminals
- ▲ Drilling template — door with direct rotary mechanism and flange
- ▼ Drilling template — door with direct rotary mechanism, without flange
- & Drilling template — molded case circuit breaker mounting on mounting plate

Molded Case Circuit Breakers

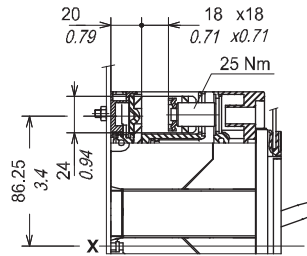
Approximate Dimensions — 400 A, K-Frame

Cat. Nos. 140G-K-ECM, -ECM4 Terminals



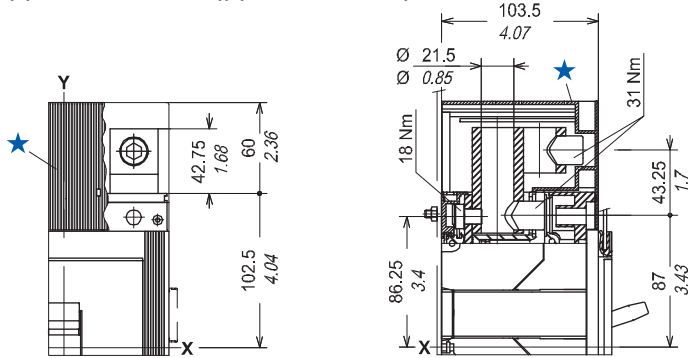
Cat. Nos. 140G-K-TLC13, -TLC14 Terminals

250...500 MCM (120...240 mm²)



Cat. Nos. 140G-K-TLA23, -TLA24, -TLC23, -TLC24 Terminals

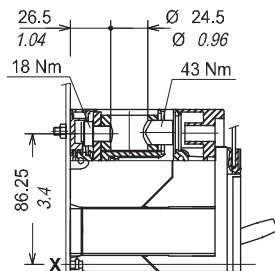
(2) 2/0...250 MCM ((2) 95...120 mm²)



★ Terminal covers with IP40 protection

Cat. Nos. 140G-K-TLA13, -TLA14 Terminals

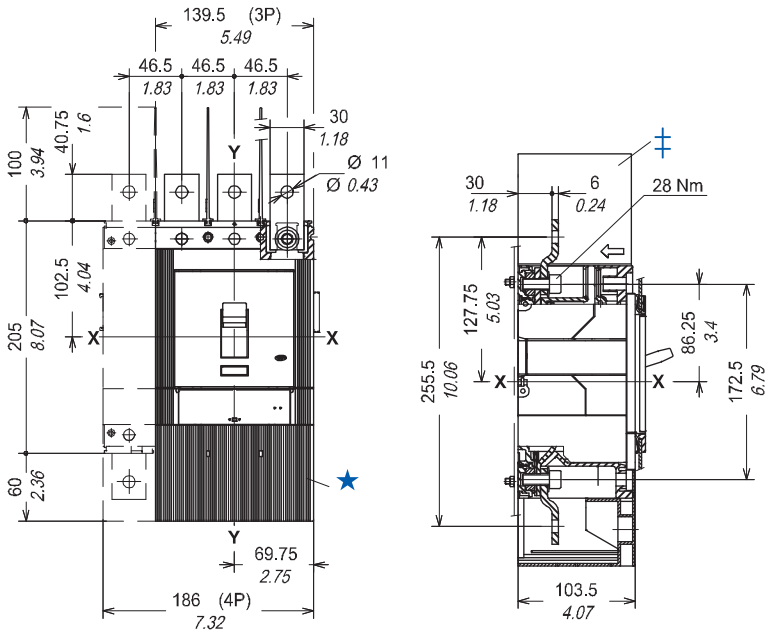
250...500 MCM (120...240 mm²)



Molded Case Circuit Breakers

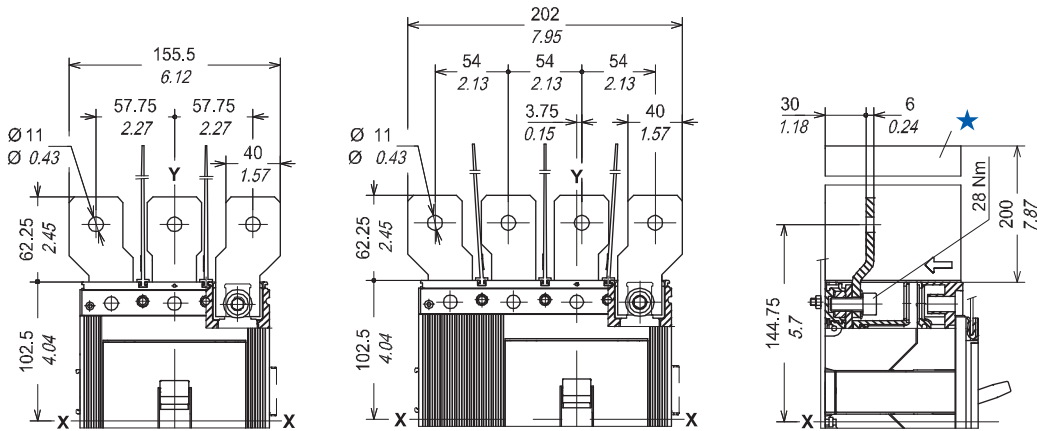
Approximate Dimensions — 400 A, K-Frame

Cat. Nos. 140G-K-EXT3, -EXT4 Extended Terminals



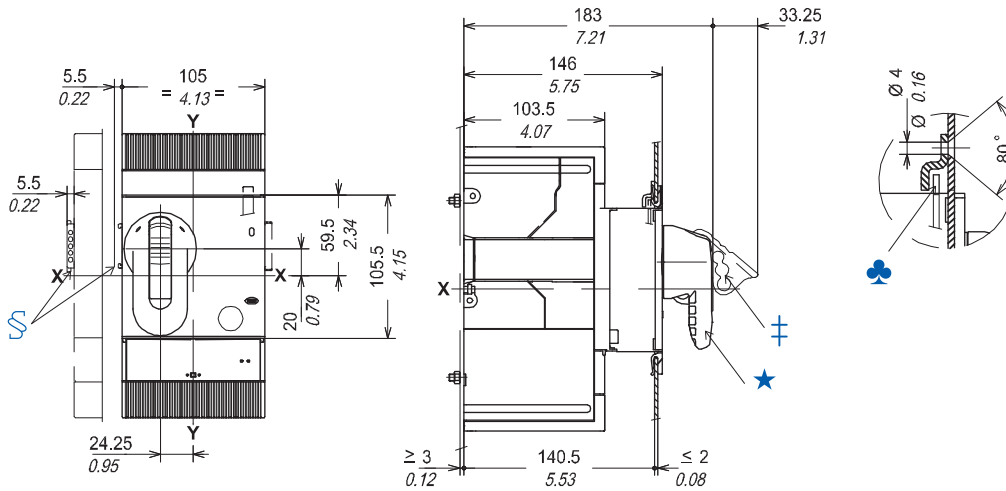
- ★ Terminal covers with IP40 protection
- ‡ Required 100 mm insulating phase barriers provided

Cat. Nos. 140G-K-EXS3, -EXS4 Spreader Terminals



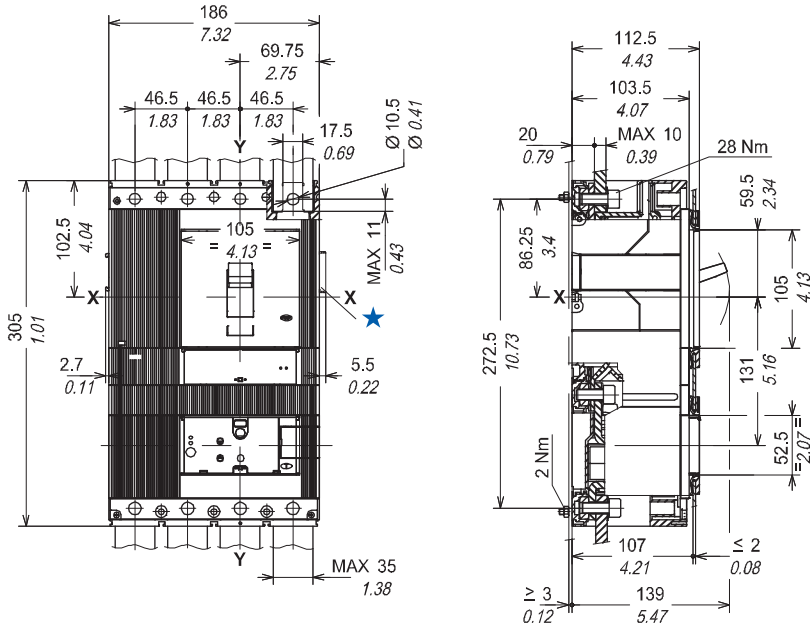
- ★ Required 200 mm insulating phase barriers provided

Cat. No. 140G-K-RMB, -RMY Rotary Handle Operating Mechanism — Door Mounted



- ★ Rotary handle operating mechanism on molded case circuit breaker
- ‡ Padlock device for open position (max. 3 padlocks; user provided)
- § Dimensions with cabled early make contact
- ♣ Compartment door lock

Cat. No. 140G-K-ELP Residual Current Release Module for 4-Pole Molded Case Circuit Breakers

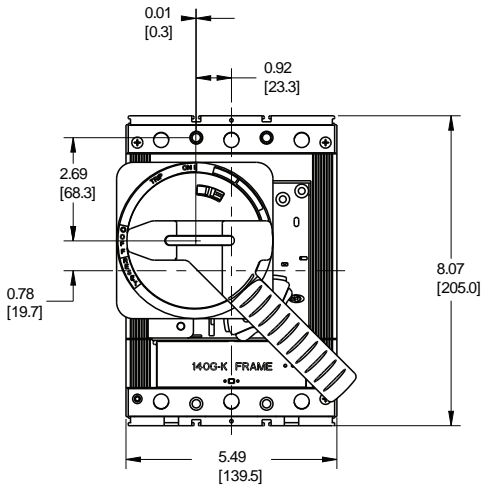
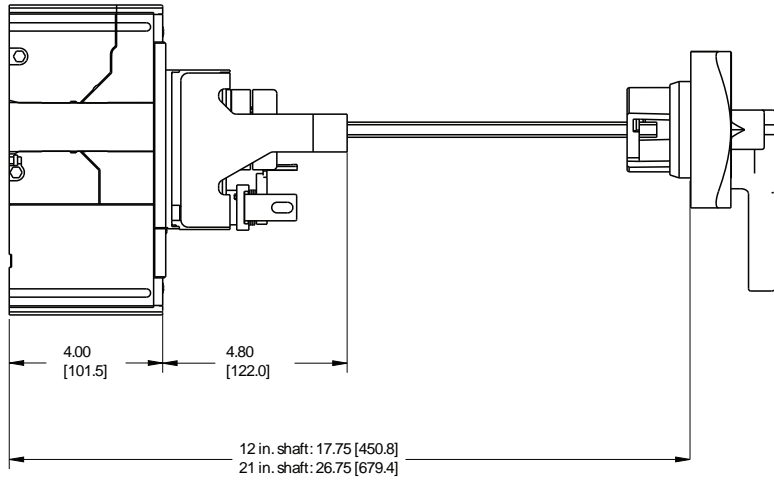


- ★ Overall dimensions with cabled auxiliary contacts mounted

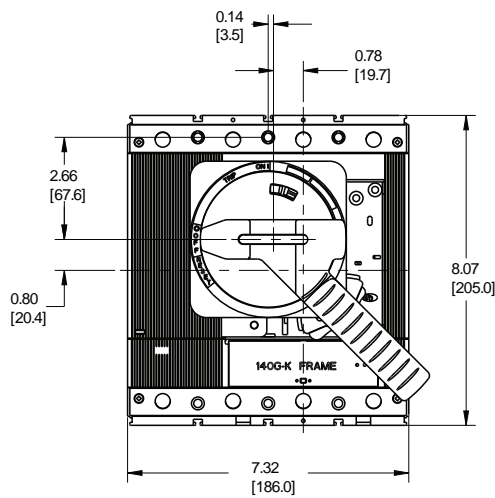
Molded Case Circuit Breakers

Approximate Dimensions — 400 A, K-Frame

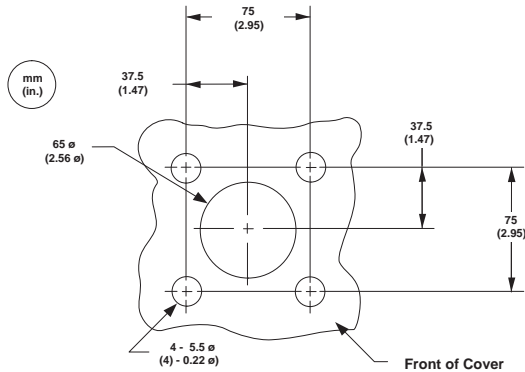
Cat. No. 140G-K-RVM... Variable Depth Rotary Handle Operating Mechanism



3-Pole



4-Pole

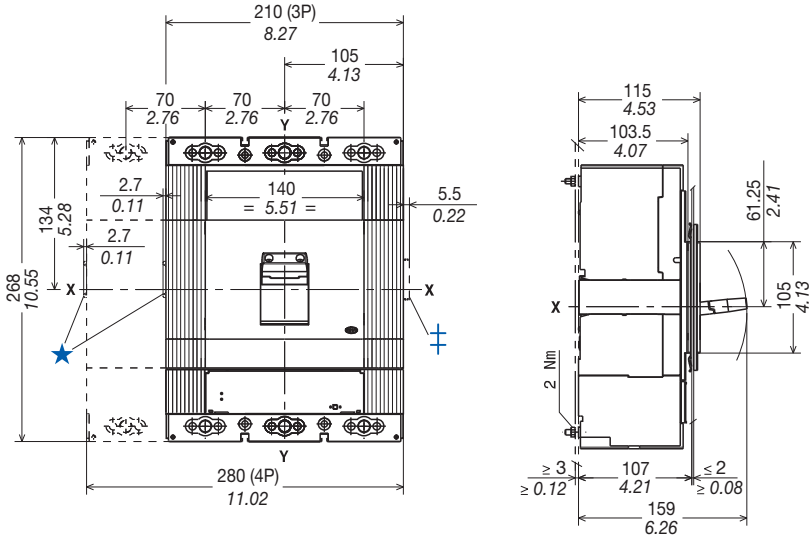


Molded Case Circuit Breakers

Approximate Dimensions — 800 A, M-Frame

Dimensions are in millimeters (inches). Dimensions are not intended to be used for manufacturing purposes.

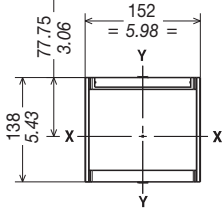
Panel Mounted Molded Case Circuit Breaker



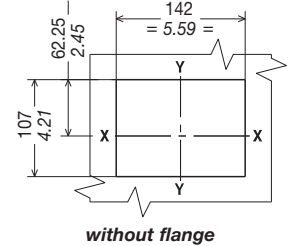
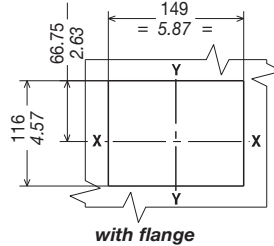
- ★ Overall dimensions with cabled accessories mounted
- ‡ Overall dimensions with cabled auxiliary contacts mounted

Drilling Templates for Molded Case Circuit Breaker Mounting

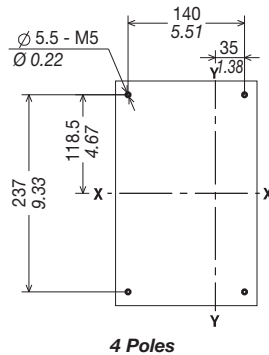
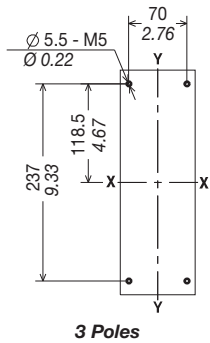
Flange for compartment door



Drilling template for compartment door



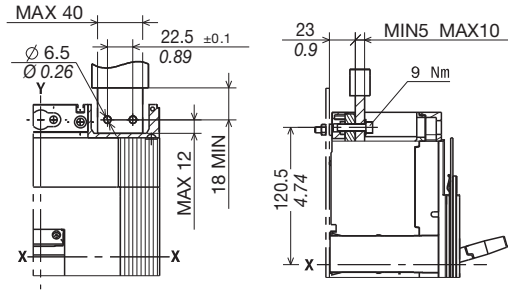
Drilling template for mounting plate



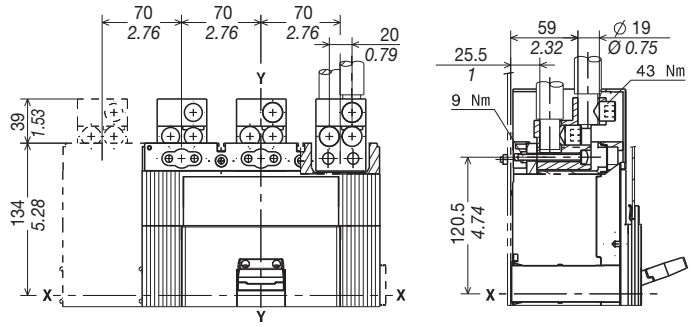
Molded Case Circuit Breakers

Approximate Dimensions — 800 A, M-Frame

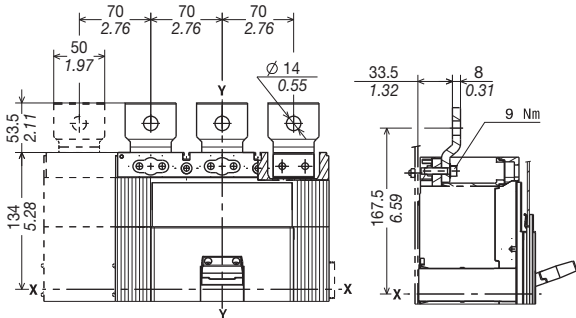
Cat. No. 140G-M-ECM Terminals



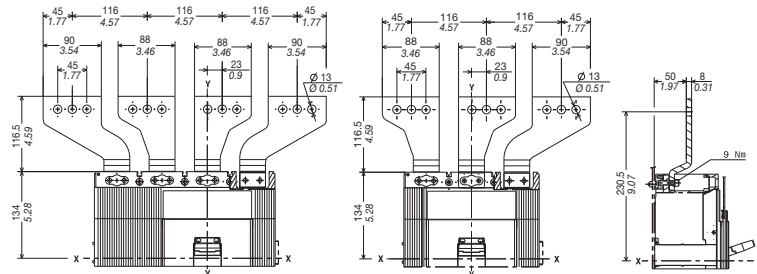
Cat. No. 140G-M-TLA23, -TLA24, -TLC23, -TLC24 Terminals



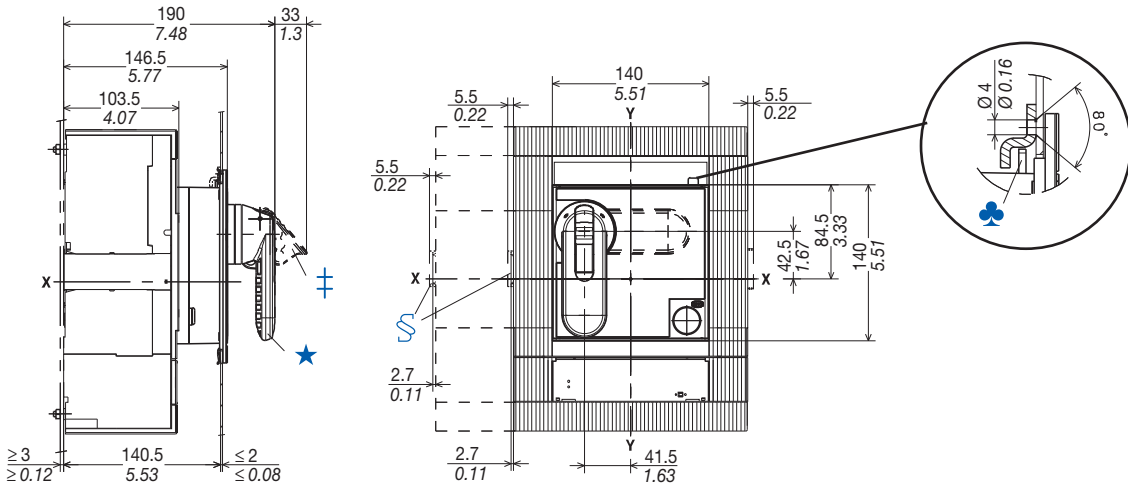
Cat. Nos. 140G-M-EXT3, -EXT4 Extended Terminals



Cat. Nos. 140G-M-EXSLI3, -EXSLO3, -EXS4 Spreader Terminals



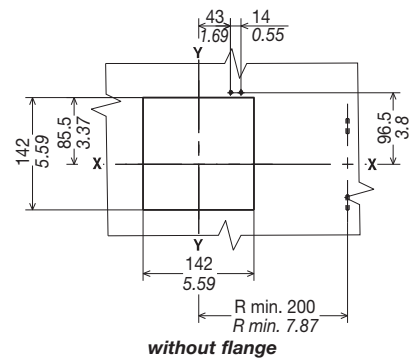
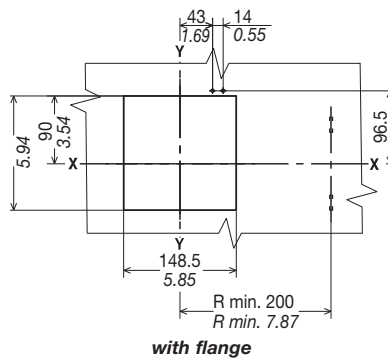
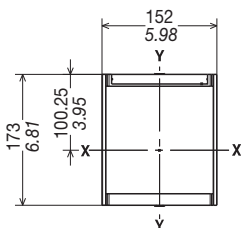
Cat. No. 140G-M-RMB, -RMY Rotary Handle Operating Mechanism — Door Mounted



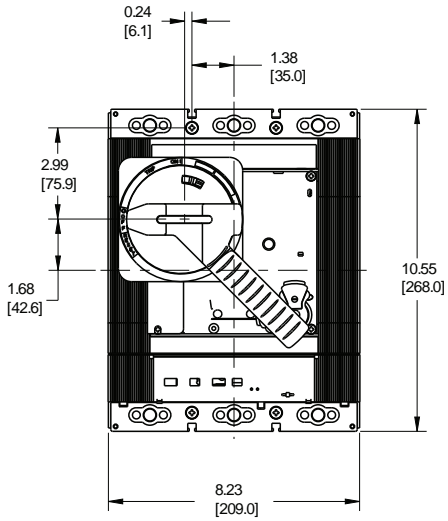
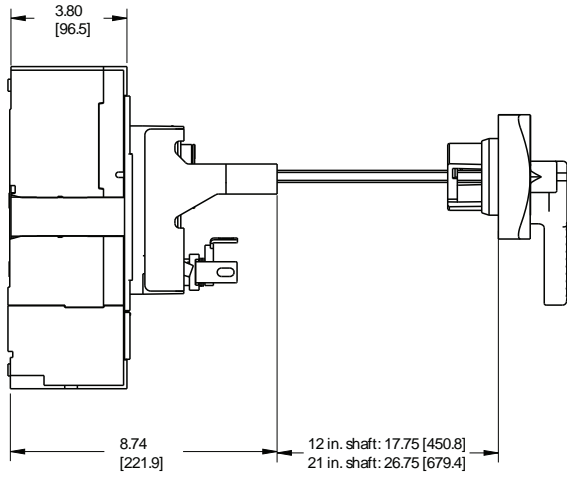
- ★ Rotary handle operating mechanism on molded case circuit breaker
- † Padlock device for open position (max. 3 padlocks; user provided)
- § Dimension with cabled early make contact
- ♣ Compartment door lock

Drilling template for compartment door

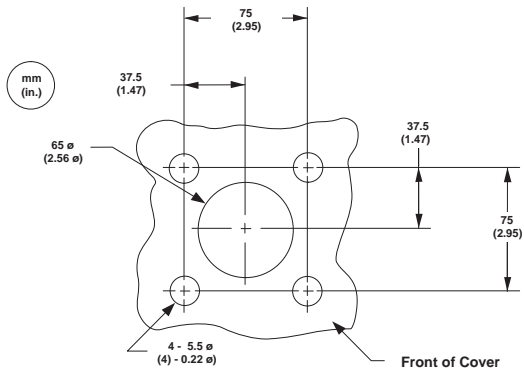
Flange for compartment door



Cat. No. 140G-M-RVM... Variable Depth Rotary Handle Operating Mechanism

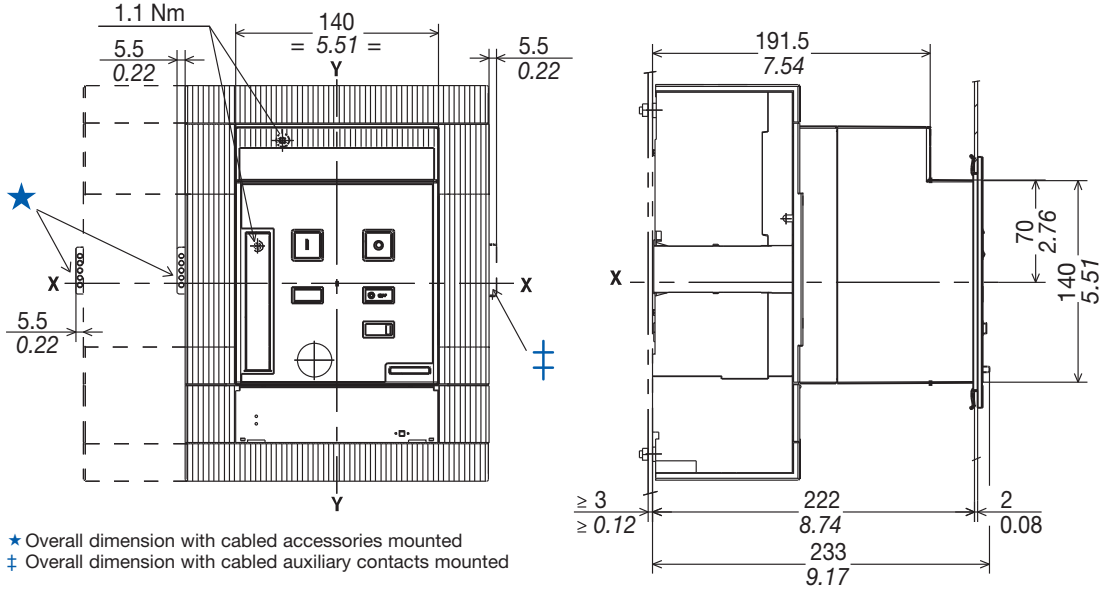


3-Pole

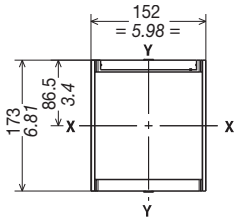


Bulletin 140G
Molded Case Circuit Breakers
 Approximate Dimensions — 800 A, M-Frame

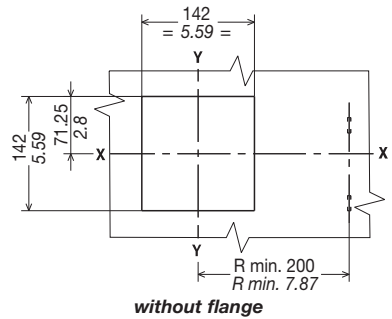
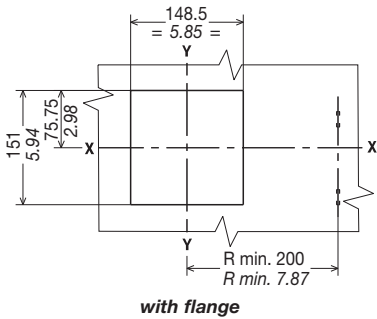
Cat. No. 140G-M-EOP, -ECOP Motor Operator



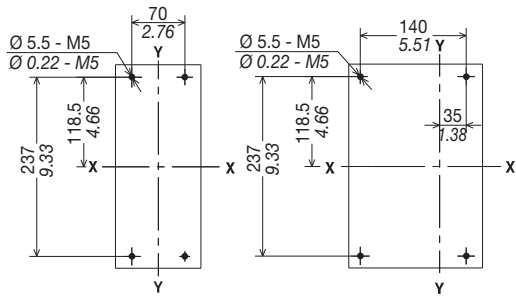
Flange for compartment door



Drilling template for compartment door



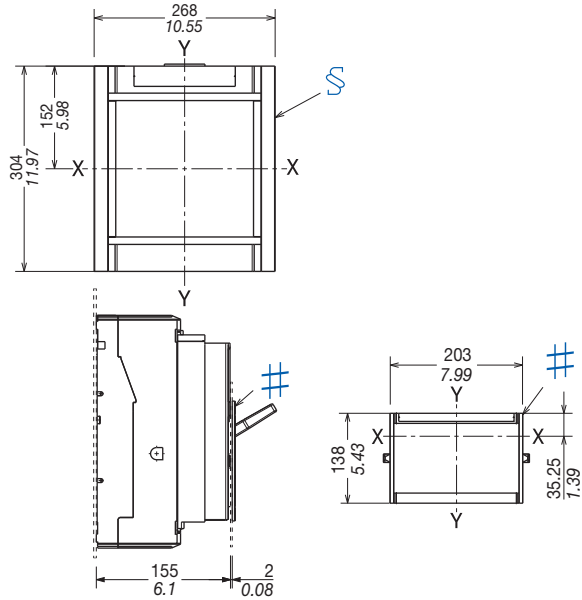
Drilling template for mounting plate



Bulletin 140G
Molded Case Circuit Breakers
 Approximate Dimensions — 1200 A, N-Frame

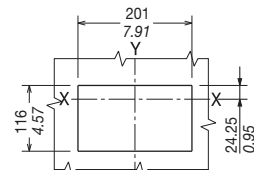
Drilling Templates for Molded Case Circuit Breaker Mounting

Flange for compartment door

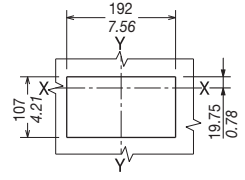


- § Door flange
- # Reduced flange for compartment door

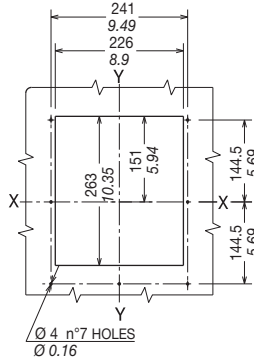
Drilling template for compartment door



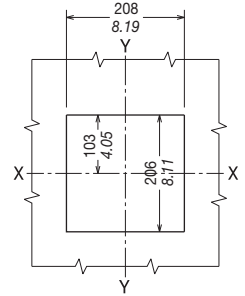
with reduced flange



Front 190 x 105

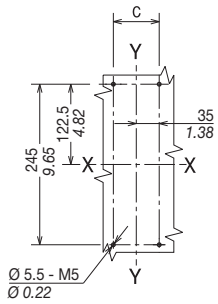


with flange



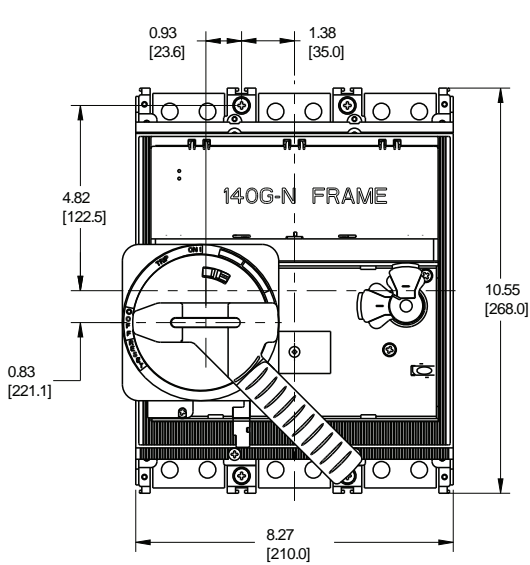
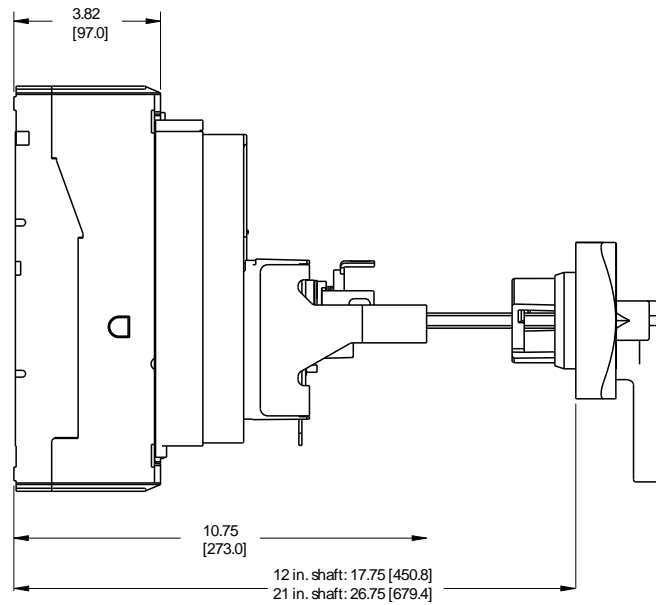
Front 206 x 204

Drilling template for mounting plate

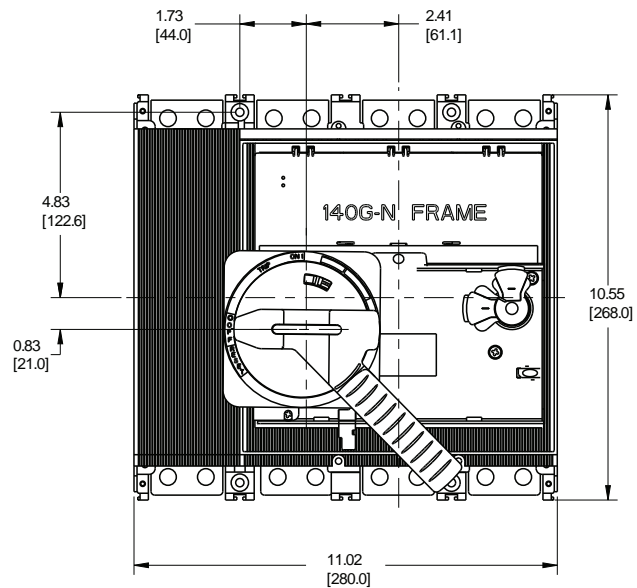


No. of Poles	C
3	70
4	140

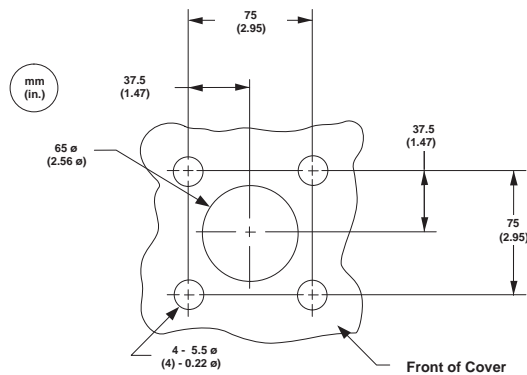
Cat. No. 140G-N-RVM... Variable Depth Rotary Handle Operating Mechanism



3-Pole



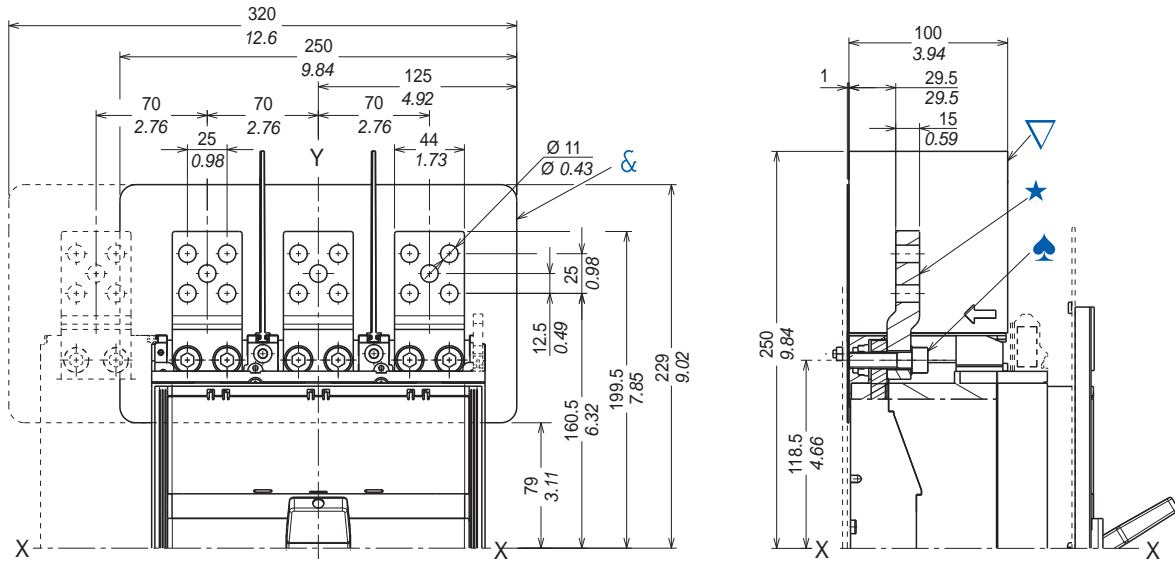
4-Pole



Molded Case Circuit Breakers

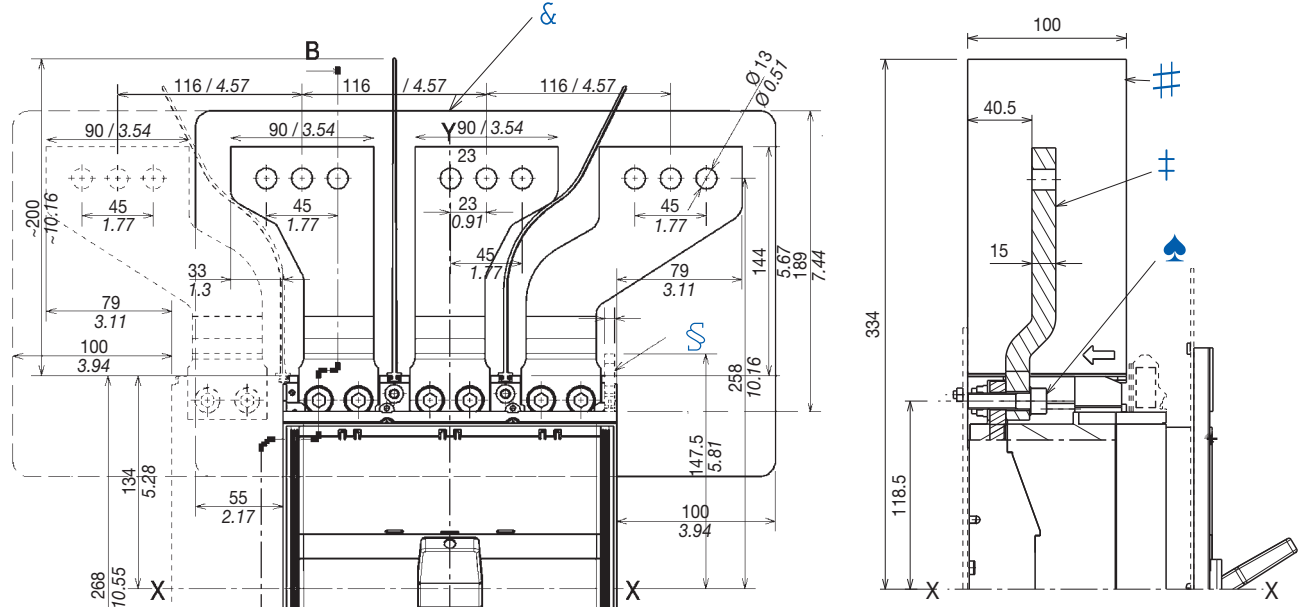
Approximate Dimensions — 1200 A, N-Frame

Cat. No. 140G-N-EXT3, -EXT4 Extended Front Terminals



- ★ Extended terminals
- ▽ Required 100 mm insulating phase barriers provided
- ♣ Tightening torque: 18 N•m
- & Required insulating plate provided for molded case circuit breaker

Cat. Nos. 140G-N-EXSL13 Top (3-Pole), 140G-N-EXS4 (4-Pole) Rear Spread Terminals

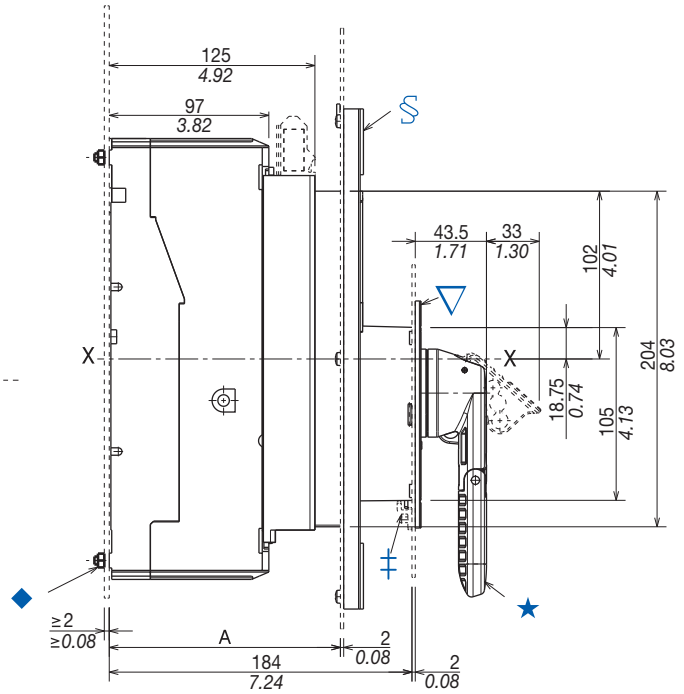
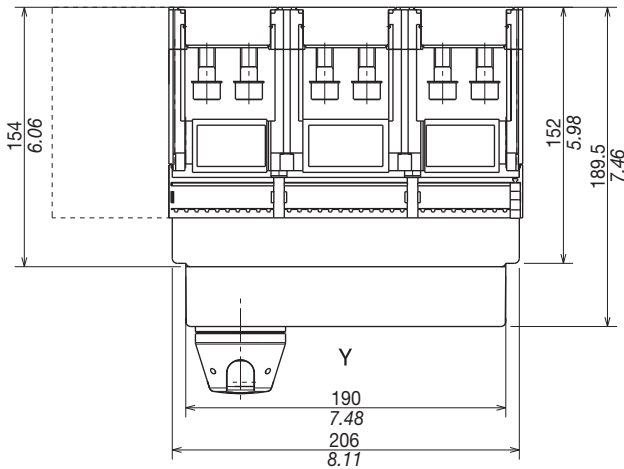
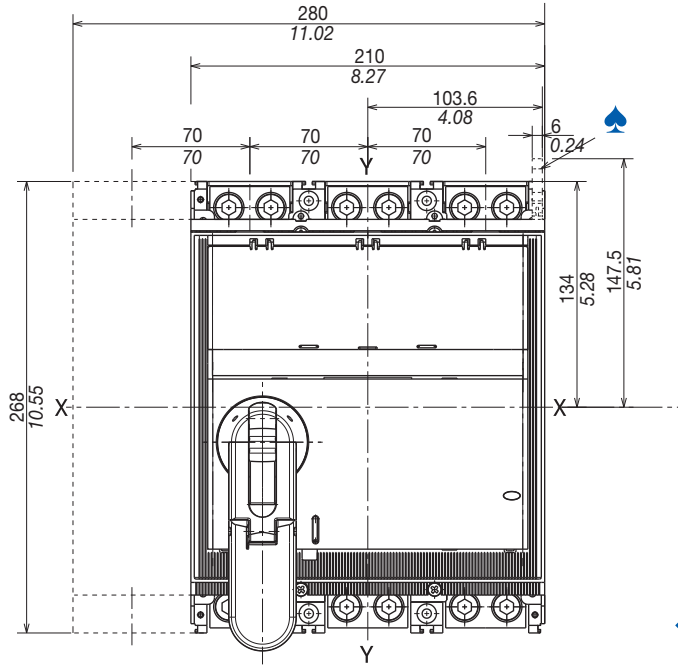


- ▽ Extended spread terminals
- # Required 200 mm insulating phase barriers provided
- ♣ Tightening torque: 18 N•m
- \$ Terminal for auxiliary contacts
- & Required insulating plate provided for molded case circuit breaker

Molded Case Circuit Breakers

Approximate Dimensions — 1200 A, N-Frame

Cat. No. 140G-N-RMB, -RMY Rotary Handle Operating Mechanism



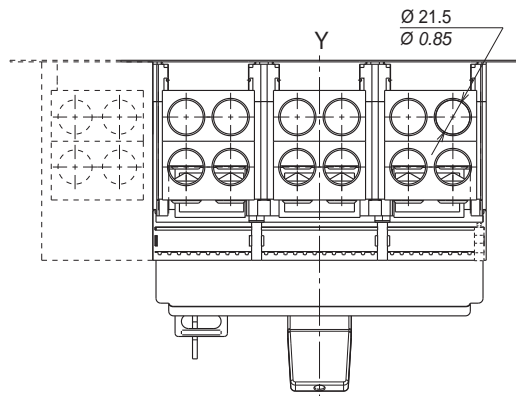
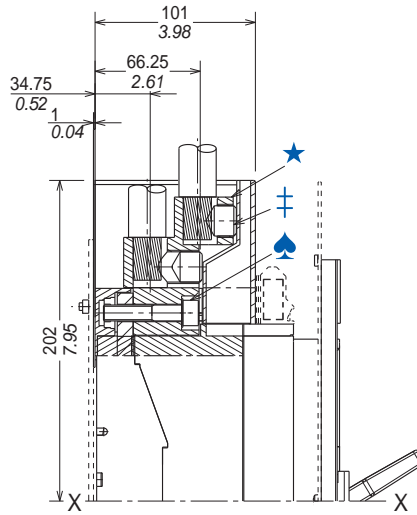
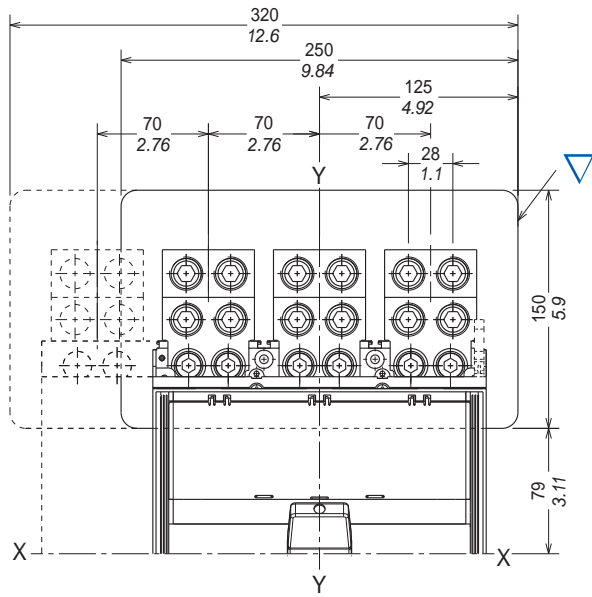
Description	A
With flange	125...141
Without flange	147

- ★ Rotary handle operating mechanism on molded case circuit breaker
- ‡ Compartment door interlock
- § Door flange
- ◆ Tightening torque: 2.5 N•m
- ▲ Terminal for auxiliary contacts
- ∇ Reduced flange of rotary handle for door (optional)

Molded Case Circuit Breakers

Approximate Dimensions — 1200 A, N-Frame

Cat. No. 140G-N-TLA43, -TLA44, -TLC43, -TLC44 Terminals

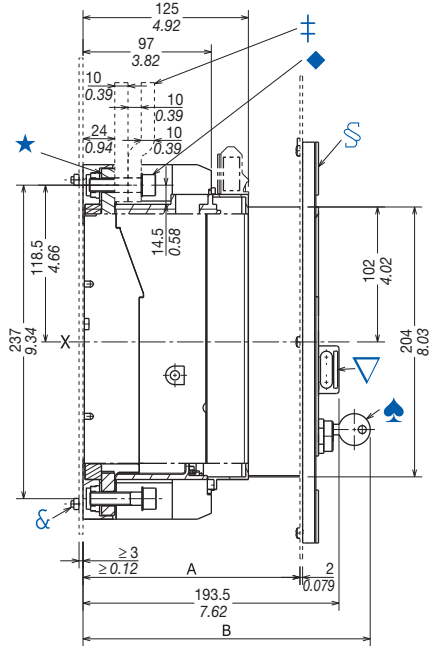
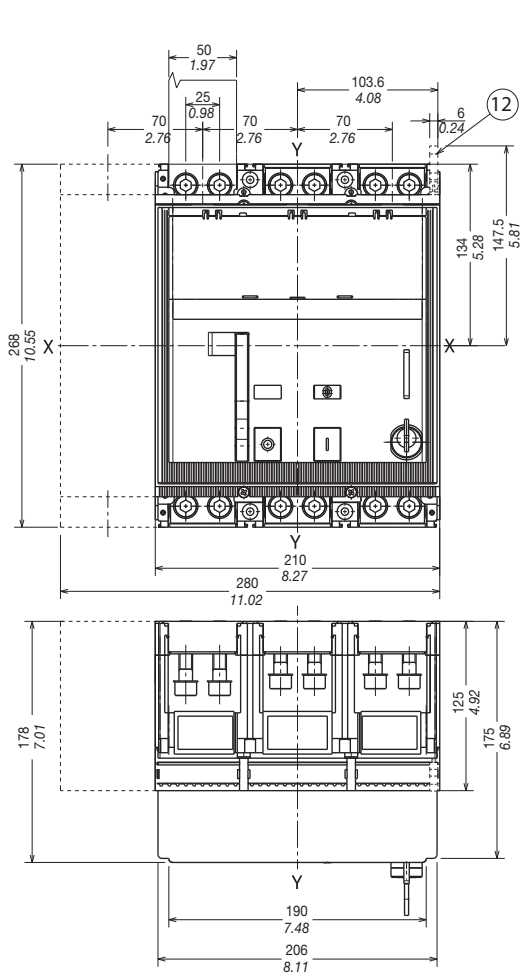


- ★ Terminal lugs for cables
- ‡ Tightening torque: 43 N•m
- ▲ Tightening torque: 18 N•m
- ▽ Required insulating plate provided for molded case circuit breaker

Bulletin 140G
Molded Case Circuit Breakers
 Approximate Dimensions — 1200 A, NS-Frame

Dimensions are in millimeters (inches). Dimensions are not intended to be used for manufacturing purposes.

Panel Mounted Molded Case Circuit Breaker



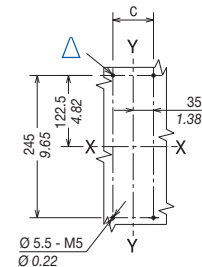
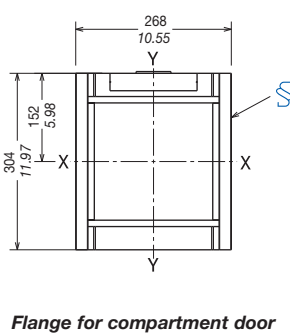
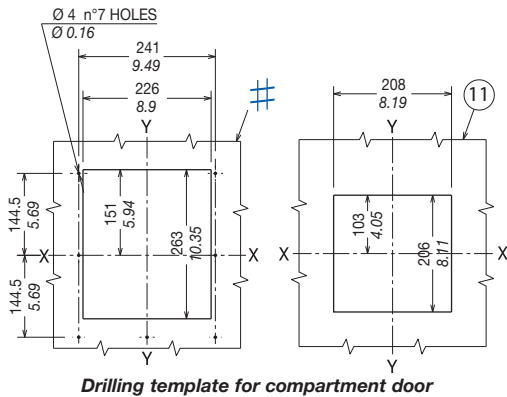
- ★ Front terminals for busbar connection
- ‡ Busbars
- § Door flange
- △ Drilling template for fixing onto mounting plate
- ◆ Tightening torque: 18 N•m
- ▲ Key lock (optional)
- ▽ Padlock (optional)
- & Tightening torque: 2.5 N•m
- # Compartment door with flange sheet drilling
- 11 Compartment door without flange sheet drilling
- 12 Terminal for auxiliary contacts

Description	A
With flange	125...184 (4.92...7.24)
Without flange	170 (6.7)

Description	B
Standard	208 (8.19)

No. of Poles	C
3	70 (2.76)
4	140 (5.51)

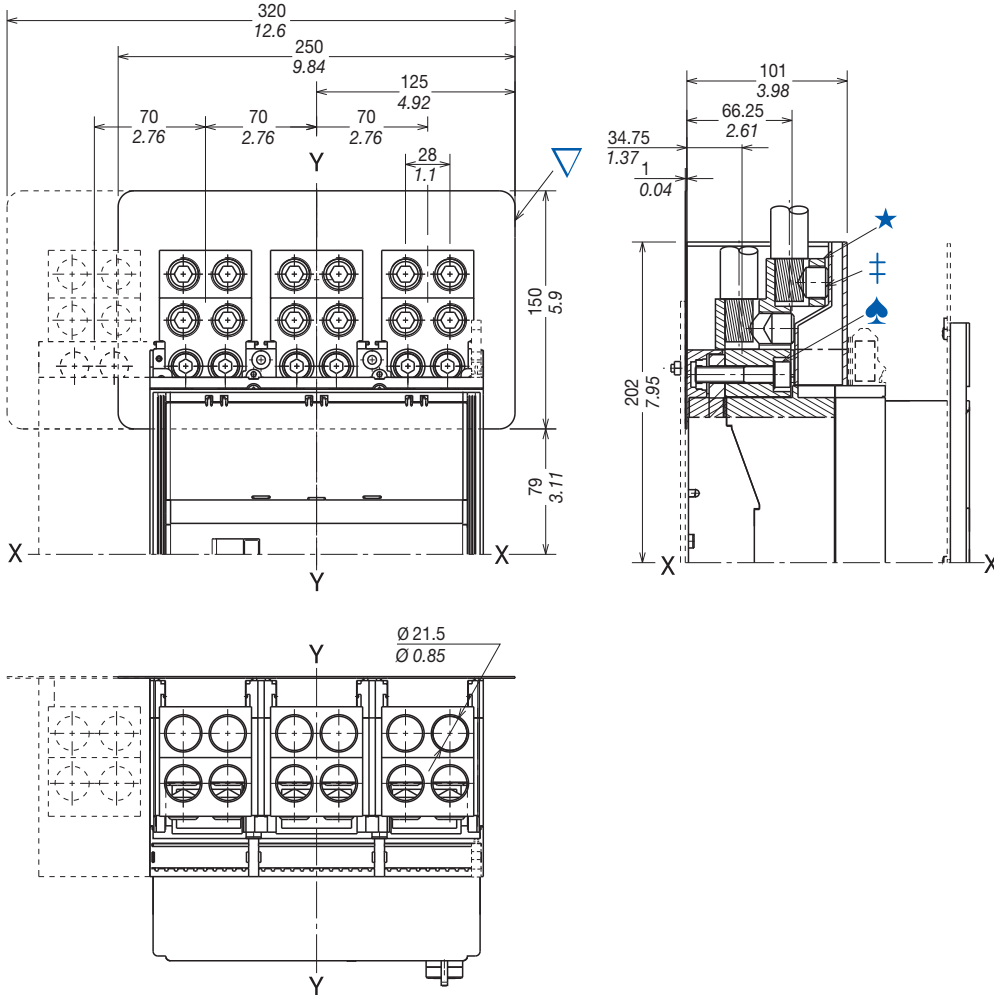
Drilling Templates for Molded Case Circuit Breaker Mounting



Molded Case Circuit Breakers

Approximate Dimensions — 1200 A, NS-Frame

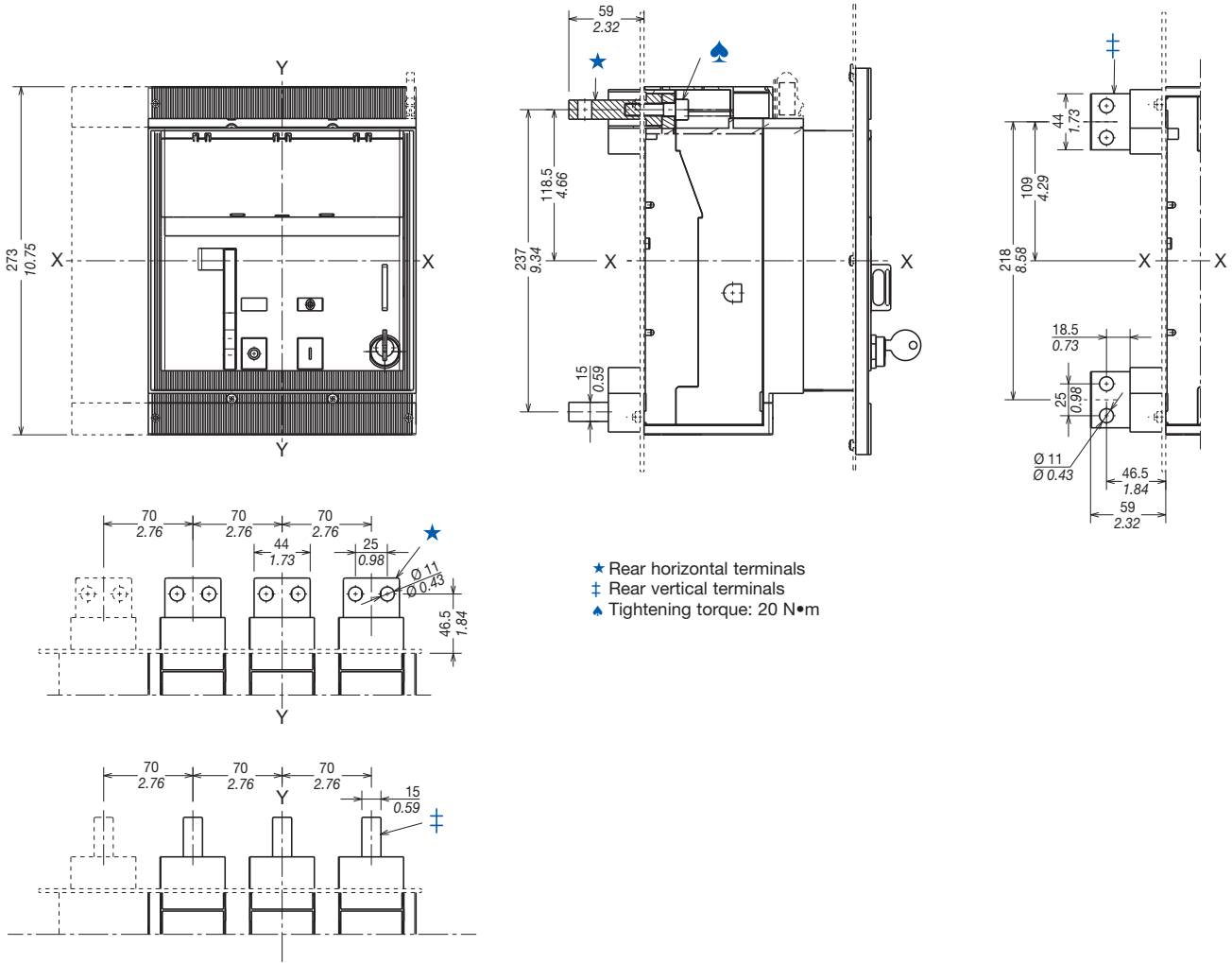
Cat. Nos. 140G-N-TLA63, -TLA64, -TLC63, -TLC64 Terminals



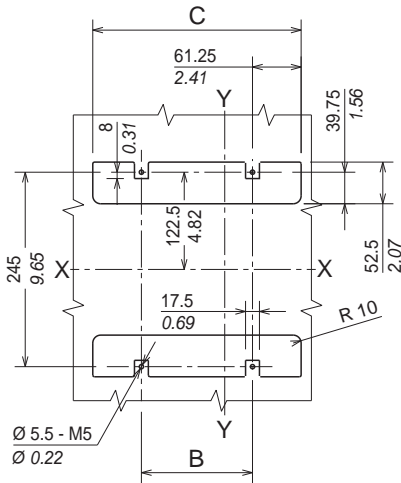
- ★ Front terminals for cables
- ‡ Tightening torque: 43 N•m
- ♣ Tightening torque: 18 N•m
- ▽ Required insulating plates provided for molded case circuit breaker

Bulletin 140G
Molded Case Circuit Breakers
 Approximate Dimensions — 1200 A, NS-Frame

Cat. Nos. 140G-N-TLV3, -TLV4, -TLH3, -TLH4 Rear Terminals

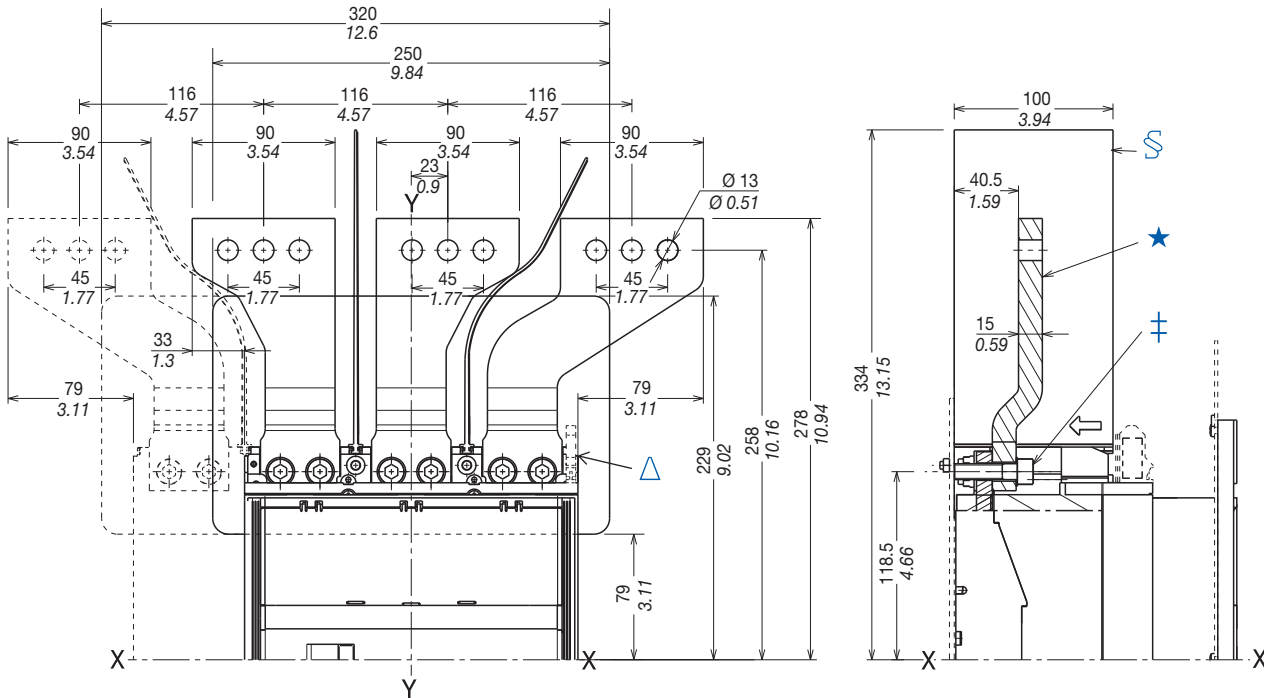


Drilling template for mounting plate



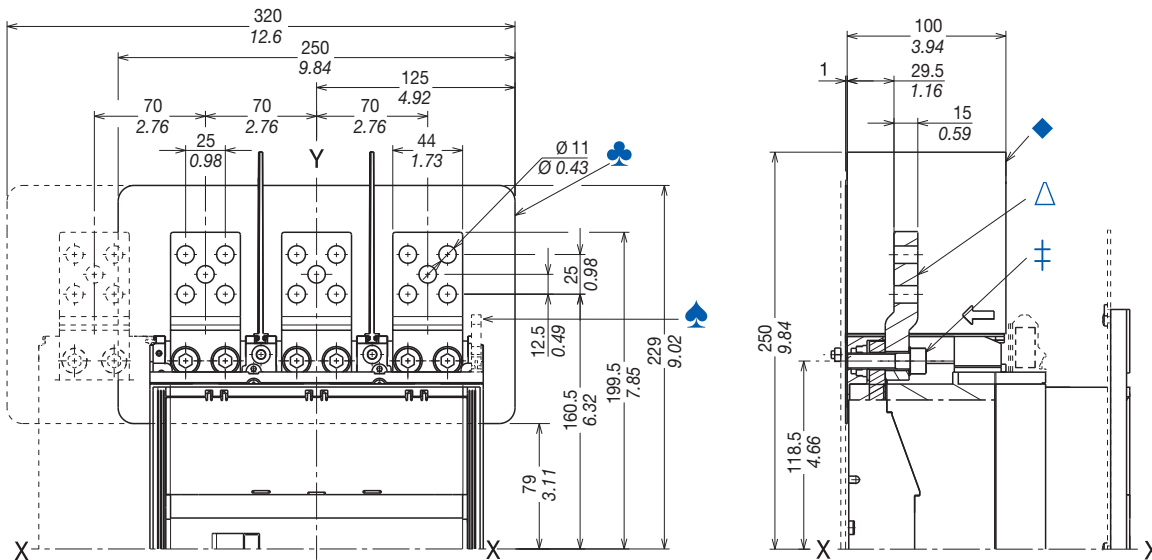
No. of Poles	B	C
3	70 (2.76)	192.5 (7.58)
4	140 (5.51)	262.5 (10.33)

Cat. No. 140G-N-EXSLI3, -EXSL03, -EXS4 Extended Front Spreader Terminals



- ★ Extended spread terminals
- ‡ Tightening torque: 18 N•m
- § Required 200 mm insulating phase barriers provided
- △ Required insulating plate provided

Cat. Nos. 140G-N-EXT3, -EXT4 Extended Front Terminals



- ‡ Tightening torque: 18 N•m
- ♣ Required insulating plate provided
- △ Extended terminals
- ◆ Required 100 mm insulating phase barriers provided
- ♠ Terminal for auxiliary contacts

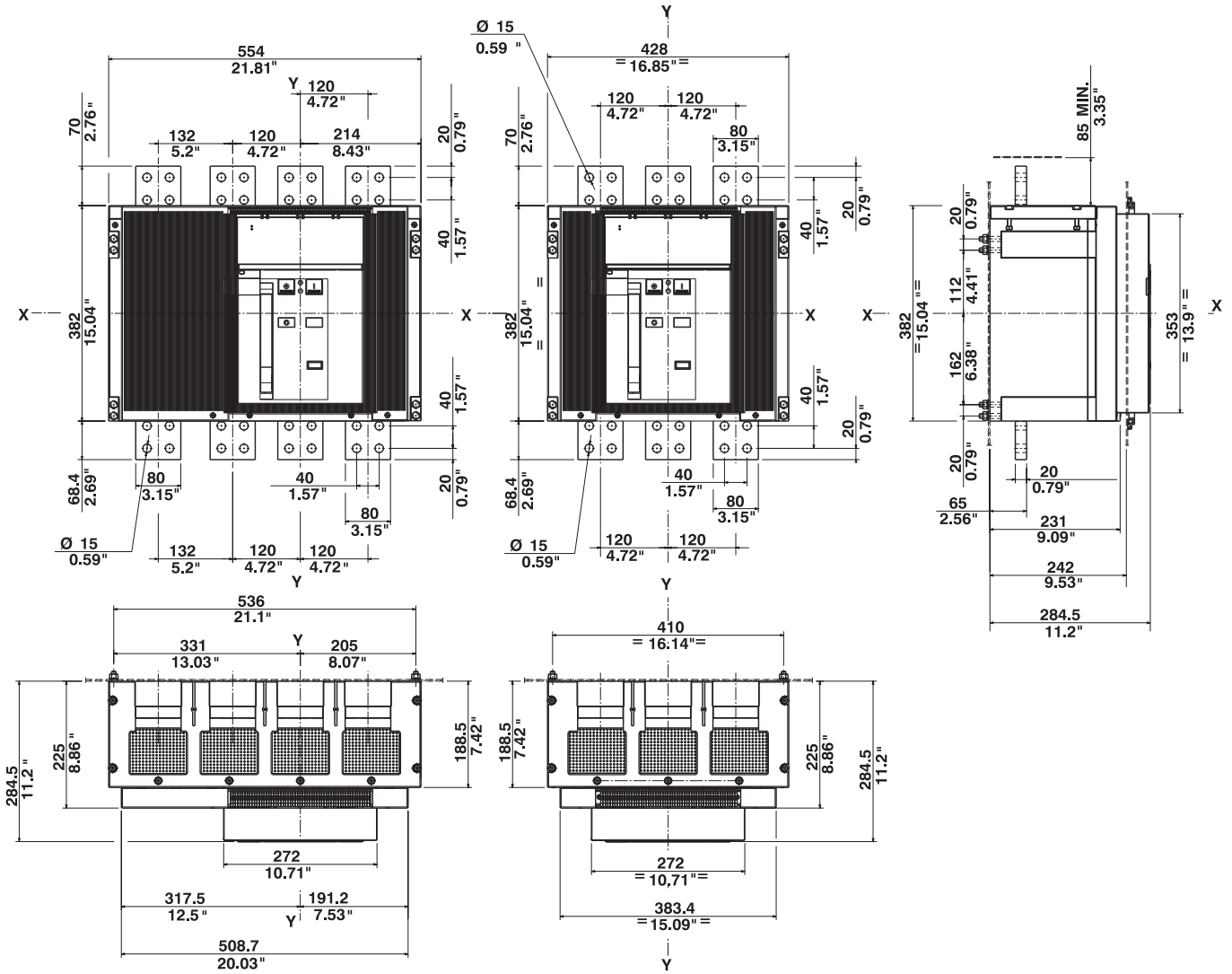
Molded Case Circuit Breakers

Approximate Dimensions — 2000...3000 A, R-Frame

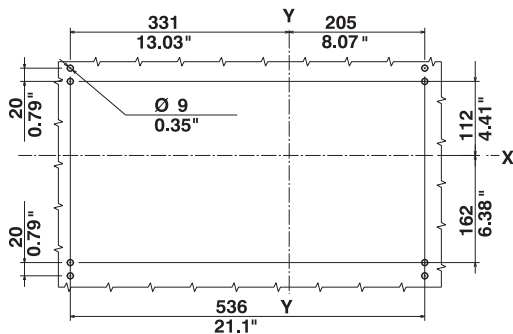
Dimensions are in millimeters (*inches*). Dimensions are not intended to be used for manufacturing purposes.

Panel Mounted Breakers

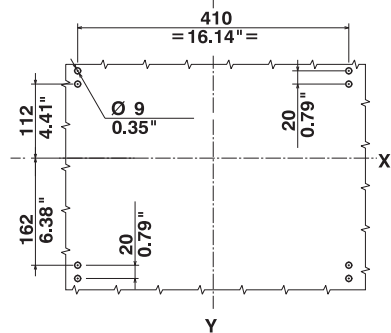
2500 A Breakers



Drilling Templates

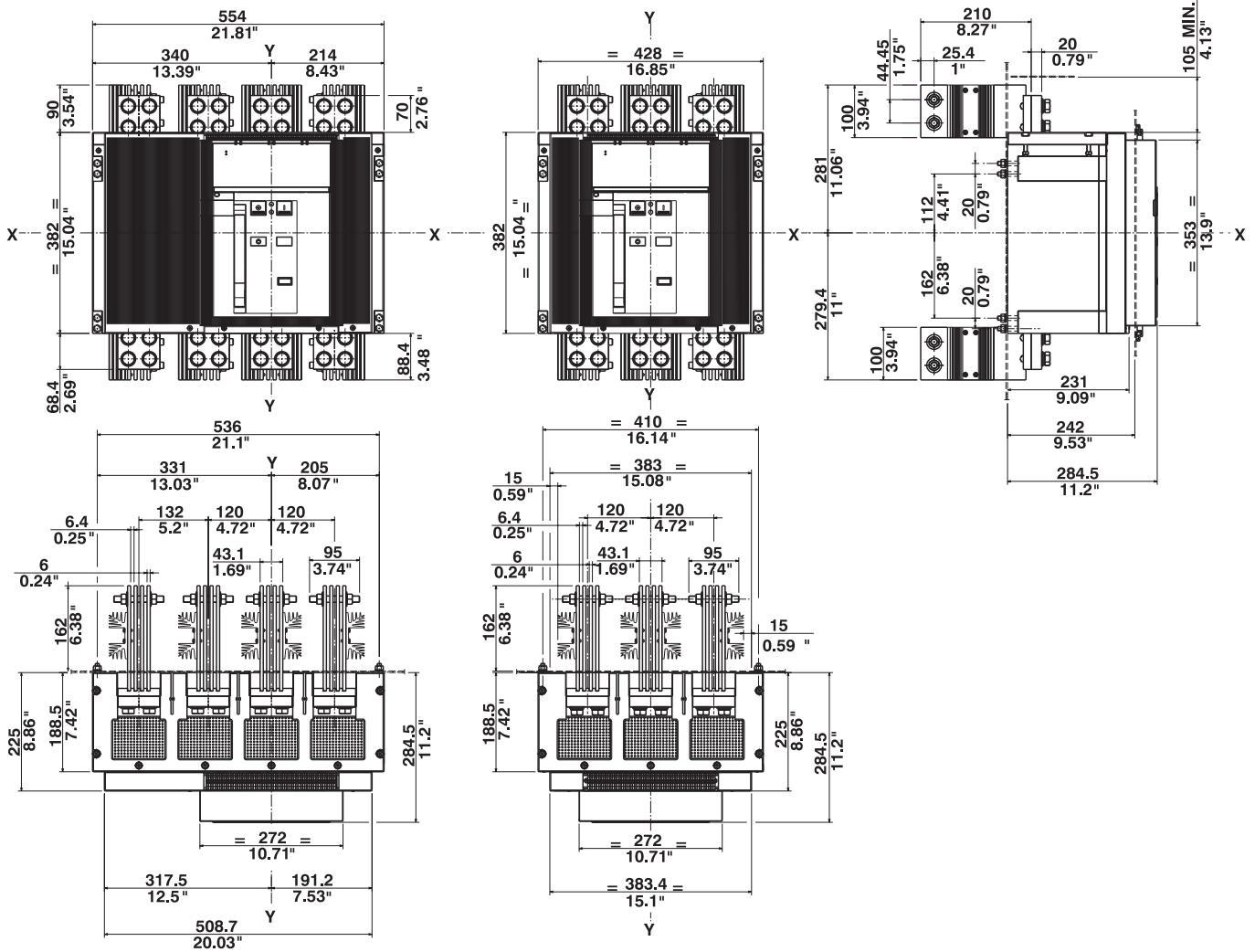


Mounting Plate
(4 Poles)

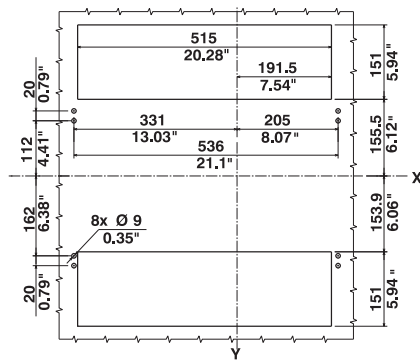


Mounting Plate
(3 Poles)

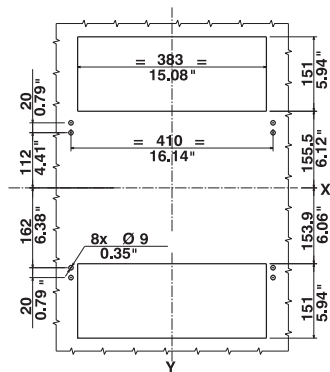
3000 A Breakers



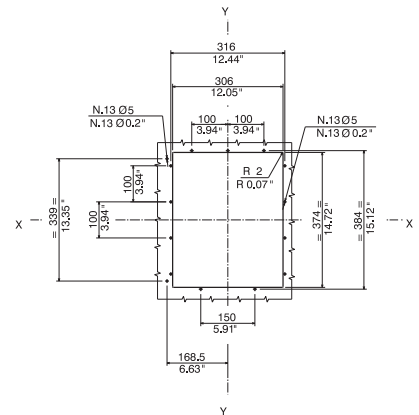
Drilling Templates



Mounting Plate
(4 Poles)



Mounting Plate
(3 Poles)



Compartment Door

Page Intentionally Left Blank

Page Intentionally Left Blank

Allen-Bradley, Rockwell Software, Rockwell Automation, and LISTEN. THINK. SOLVE are trademarks of Rockwell Automation, Inc.
Trademarks not belonging to Rockwell Automation are property of their respective companies.

www.rockwellautomation.com

Power, Control and Information Solutions Headquarters

Americas: Rockwell Automation, 1201 South Second Street, Milwaukee, WI 53204-2496 USA, Tel: (1) 414.382.2000, Fax: (1) 414.382.4444

Europe/Middle East/Africa: Rockwell Automation NV, Pegasus Park, De Kleetlaan 12a, 1831 Diegem, Belgium, Tel: (32) 2 663 0600, Fax: (32) 2 663 0640

Asia Pacific: Rockwell Automation, Level 14, Core F, Cyberport 3, 100 Cyberport Road, Hong Kong, Tel: (852) 2887 4788, Fax: (852) 2508 1846