

# 8BCA01X5.1513A-0

## 1 General information

- Can be used in cable drag chains
- Assembled specifically for DC connection between ACOPOSmulti expansion modules 8BVE
- Integrated shield plates

### Information:

A shield plate is attached to each end of an ACOPOSmulti 8BCA expansion cable. If these shield plates are correctly installed on the respective ACOPOSmulti 8BVE expansion module, no additional shielding measures are necessary.

## 2 Order data


Model number	Short description	Figure
	<b>Expansion cables</b>	
8BCA01X5.1513A-0	ACOPOSmulti expansion cable, length 1.5 m, 3x 10 mm <sup>2</sup> , integrated shield plate, can be used in cable drag chains	

Table 1: 8BCA01X5.1513A-0 - Order data

## 3 Technical data

Model number	8BCA01X5.1513A-0
<b>General information</b>	
Cable cross section	3x 10 mm <sup>2</sup>
Durability	Oil resistance per HD 22.10 appendix A DIN EN 60811-404 <sup>1)</sup>
Certification	E170315 cRUus AWM STYLE 21223 AWM I/II A/B 80°C 1000 V FT1 <sup>1)</sup>
<b>Certifications</b>	
CE	Yes
UL	cULus E225616 Power conversion equipment
<b>Cable construction</b>	
<b>Power lines</b>	
Quantity	3
Wire insulation	PP
Wire colors	Black, brown, yellow/green
Variant	Tinned copper stranded wire
Cross section	10 mm <sup>2</sup>
Shield	No
Stranding	No
Cable stranding	With filler elements and foil shield
Cable shield	Tinned copper braiding, optical coverage >85% and foil shield
<b>Outer jacket</b>	
Material	TPU
Color	Orange, similar to RAL 2003 flat
Labeling	B&R 3 G 10 C E170315 cRUus AWM STYLE 21223 AWM I/II A/B 80°C 1000 V FT1 <sup>1)</sup>
<b>Electrical properties <sup>1)</sup></b>	
Operating voltage	Max. 1000 V AC (UL)
<b>Test voltage</b>	
Wire/Wire	4 kV
Wire/Shield	4 kV
<b>Conductor resistance</b>	
Power lines	≤2 Ω/km
<b>Insulation resistance</b>	
	≥500 MΩ*km
<b>Current-carrying capacity per DIN VDE 0298 part 4, table 11</b>	
Wall mounting	64.6 A
Installed in conduit or cable duct	54.6 A
Installed in cable tray	68.3 A

Table 2: 8BCA01X5.1513A-0 - Technical data

<b>Model number</b>	<b>8BCA01X5.1513A-0</b>
<b>Ambient conditions <sup>1)</sup></b>	
Temperature	
Moving	-20°C to +80°C
Static	-20°C to +90°C
<b>Mechanical properties <sup>1)</sup></b>	
Dimensions	
Length	1.5 m
Diameter	20.1 mm ± 0.4 mm
Bend radius	
Single bend	>62 mm
Moving	>154 mm
Drag chain data	
Acceleration	Max. 50 m/s <sup>2</sup> (depends on the length of the travel path)
Flex cycles <sup>2)</sup>	≥5,000,000
Speed	Max. 300 m/min
Weight	0.8 kg

Table 2: 8BCA01X5.1513A-0 - Technical data

- 1) Values refer to the raw cable being used.
- 2) At an ambient temperature from -20°C to +60°C.

## 4 Wiring

### 4.1 Construction

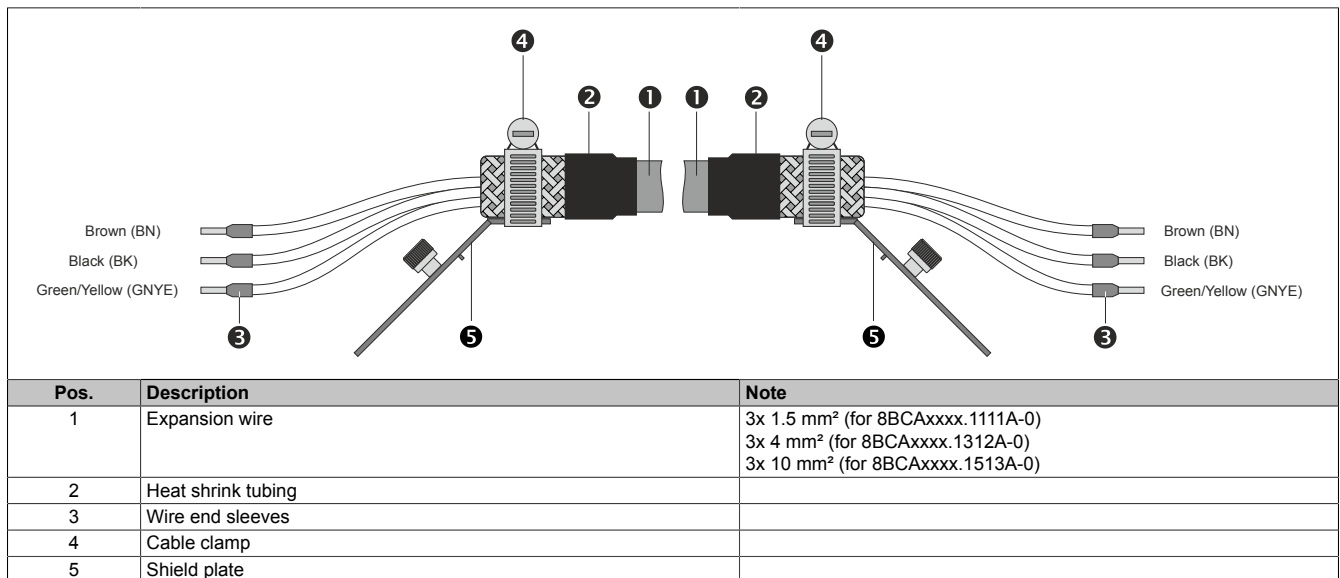


Table 3: 8BCA expansion cables - Construction

## 4.2 Cable diagram

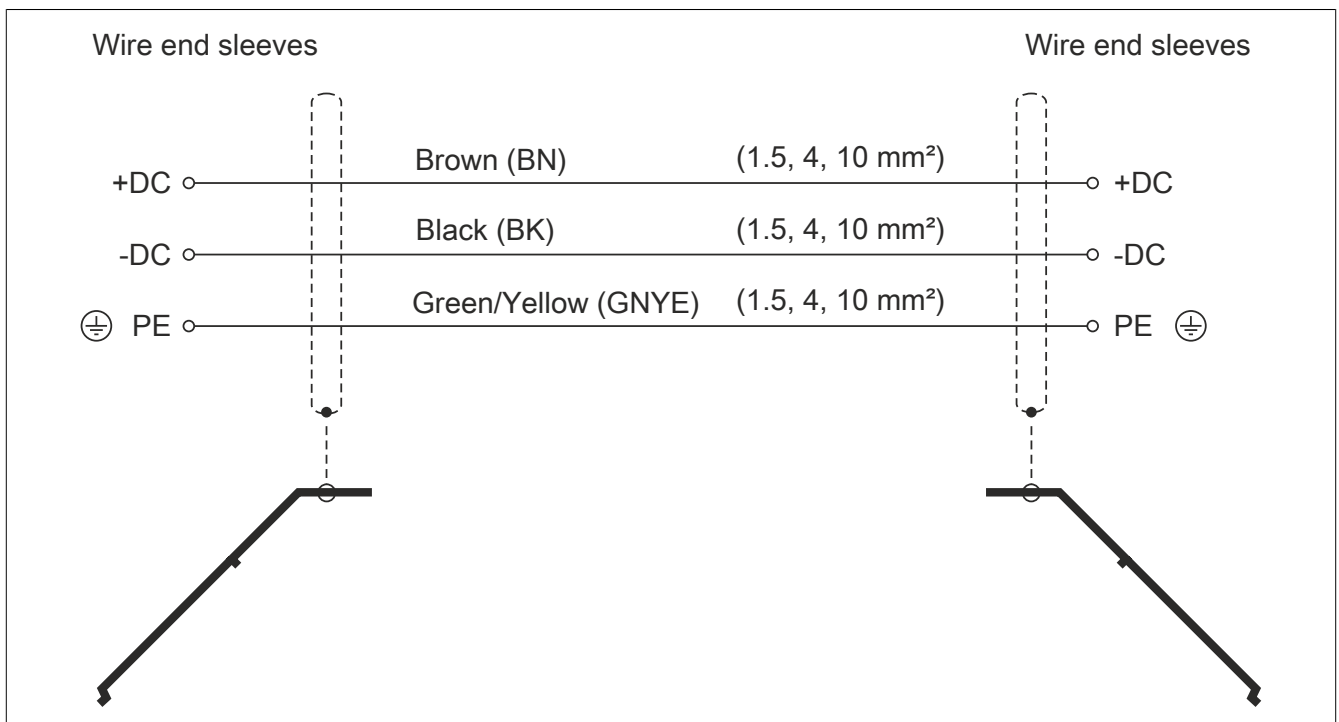


Figure 1: 8BCA expansion cables - Cable diagram