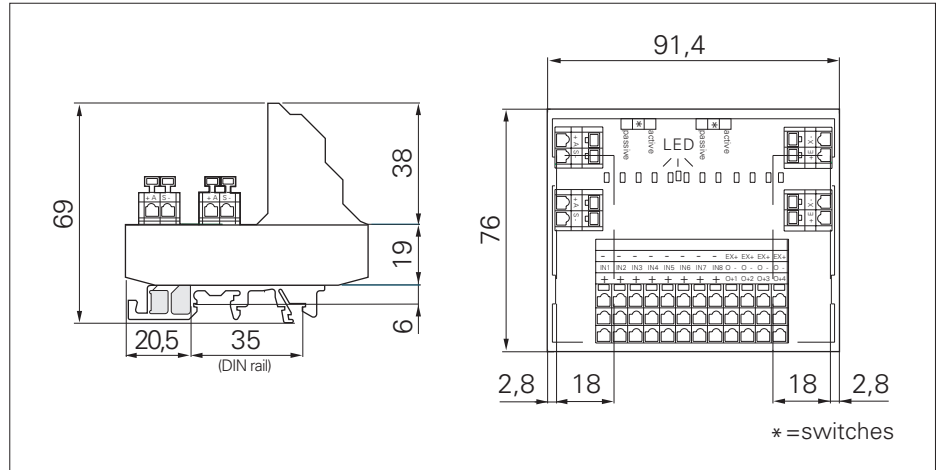


AS-Interface module

ASIA 75A8411

Art.-Code: 111054

- Specification 2.11
- Standard addressing mode as S-slave; up to 31 modules
- Profile S - 0.F.F / 7.F.F
- Address programming via jack
- Power supply for eight 3-wire sensors via bus
- External power supply via cage clamp for four actuators
- Fault diagnosis LED's
- Output diagnosis feedback



bus data	
voltage supply range	26,5 - 33,1 VDC
supply current	≤ 260 mA
reverse polarity protection	yes
E/A configuration: IN1...IN4	0 HEX
ID-code / ID-2 code: IN1...IN4	F HEX / F HEX
E/A configuration: IN5...IN8 / 01...04	7 HEX
ID-code / ID-2 code: IN5...IN8 / 01...04	F HEX / F HEX
AS-i voltage indicator / error indicator	green LED / red LED
inputs	
supply voltage for sensors	15 - 30 VDC
short-circuit protection with feedback	yes
total current for sensors -25...+40 °C	≤ 200 mA
total current for sensors +40...+70 °C	≤ 150 mA
polarity of the inputs	PNP
input current high / low	≥ 1,5 mA / ≤ 0,5 mA
input voltage high / low	> 10 VDC / < 5 VDC
input indicator	yellow LED
outputs	
switching element / polarity	FET / plus switching (PNP)
galvanic separation AS-i <> load circuit	2000 VDC
switching current per output I _{max}	each 2,3 A
total current for outputs	4 A
short-circuit protection / with feedback	yes / peripheral error diagnosis LED
watchdog for bus monitoring	yes
output indicator	yellow LED
external power supply for outputs	via cage clamp
voltage range external feed	12 - 30 VDC
max. load inductivity (mH) @ 2,3 A	≤ 21 mH
general	
protection class	IP 20
temperature range / storage temperature	-25...+70 °C / -25...+85 °C
specification power supply unit for external feed	according to PELV
mounting	DIN rail
EMC	refer to the AS-i brochure
certificate no.	70903

voltage supply range	26,5 - 33,1 VDC
supply current	≤ 260 mA
reverse polarity protection	yes
E/A configuration: IN1...IN4	0 HEX
ID-code / ID-2 code: IN1...IN4	F HEX / F HEX
E/A configuration: IN5...IN8 / 01...04	7 HEX
ID-code / ID-2 code: IN5...IN8 / 01...04	F HEX / F HEX
AS-i voltage indicator / error indicator	green LED / red LED
inputs	
supply voltage for sensors	15 - 30 VDC
short-circuit protection with feedback	yes
total current for sensors -25...+40 °C	≤ 200 mA
total current for sensors +40...+70 °C	≤ 150 mA
polarity of the inputs	PNP
input current high / low	≥ 1,5 mA / ≤ 0,5 mA
input voltage high / low	> 10 VDC / < 5 VDC
input indicator	yellow LED
outputs	
switching element / polarity	FET / plus switching (PNP)
galvanic separation AS-i <> load circuit	2000 VDC
switching current per output I _{max}	each 2,3 A
total current for outputs	4 A
short-circuit protection / with feedback	yes / peripheral error diagnosis LED
watchdog for bus monitoring	yes
output indicator	yellow LED
external power supply for outputs	via cage clamp
voltage range external feed	12 - 30 VDC
max. load inductivity (mH) @ 2,3 A	≤ 21 mH
general	
protection class	IP 20
temperature range / storage temperature	-25...+70 °C / -25...+85 °C
specification power supply unit for external feed	according to PELV
mounting	DIN rail
EMC	refer to the AS-i brochure
certificate no.	70903

connection diagram

general

port assignment:

D0, D1, D2, D3	input
P4, P5, P6, P7	input
D4, D5, D6, D7	output

possible conductor cross-sections:

sensor terminals:	0,08...2,5 mm ² ,
actuator terminals:	0,08...2,5 mm ²

diagnosis

ASI (green)	Error (red)	Status	Description
●	●	POWER OFF	no AS-i power
⊙	○	Address = 0	Address = 0
○	○	no data exchange	Watchdog activated, Address ≠ 0
○	●	ok	ok
●	⊙	external RESET, overload	- Sensor supply overload - Sensor supply shorted
⊙	⊙	peripheral error	outputs: - overload / shorted

● LED dark ○ LED light ⊙ LED flashing

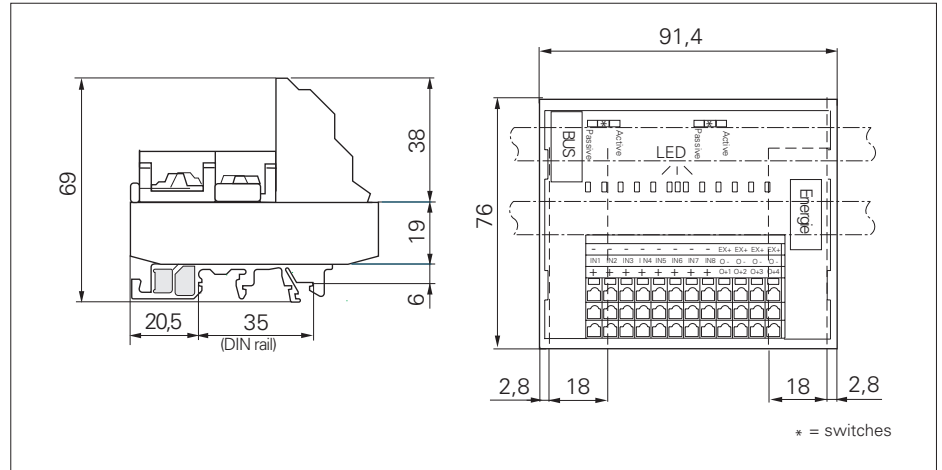
- A peripheral error at the outputs does not activate a master config. error
- Break of output cables not monitored

AS-Interface module

ASIA 75A8413

Art.-Code: 124862

- Specification 2.11
- Standard addressing mode as S-slave; up to 31 modules
- Profile S - 0.F.F / 7.F.F
- Address programming via jack
- Power supply for eight 3-wire sensors via bus
- External power supply via flat cable black for four actuators
- Fault diagnosis LED's
- Output diagnosis feedback



bus data	
voltage supply range	26,5 - 33,1 VDC
supply current	≤ 260 mA
reverse polarity protection	yes
E/A configuration: IN1...IN4	0 HEX
ID-code / ID-2 code: IN1...IN4	F HEX / F HEX
E/A configuration: IN5...IN8 / 01...04	7 HEX
ID-code / ID-2 code: IN5...IN8 / 01...04	F HEX / F HEX
AS-i voltage indicator / error indicator	green LED / red LED
inputs	
supply voltage for sensors	15 - 30 VDC
short-circuit protection with feedback	yes
total current for sensors -25...+40 °C	≤ 200 mA
total current for sensors +40...+70 °C	≤ 150 mA
polarity of the inputs	PNP
input current high / low	≥ 1,5 mA / ≤ 0,5 mA
input voltage high / low	> 10 VDC / < 5 VDC
input indicator	yellow LED
outputs	
switching element / polarity	FET / plus switching (PNP)
galvanic separation AS-i <-> load circuit	2000 VDC
switching current per output I _{max}	each 2,3 A
total current for outputs	4 A
short-circuit protection / with feedback	yes / peripheral error diagnosis LED
watchdog for bus monitoring	yes
output indicator	yellow LED
external power supply for outputs	via flat cable black
voltage range external feed	12 - 30 VDC
max. load inductivity (mH) @ 2,3 A	≤ 21 mH
general	
protection class	IP 20
temperature range / storage temperature	-25...+70 °C / -25...+85 °C
specification power supply unit for external feed	according to PELV
mounting	DIN rail
EMC	refer to the AS-i brochure
certificate no.	70905

voltage supply range	26,5 - 33,1 VDC
supply current	≤ 260 mA
reverse polarity protection	yes
E/A configuration: IN1...IN4	0 HEX
ID-code / ID-2 code: IN1...IN4	F HEX / F HEX
E/A configuration: IN5...IN8 / 01...04	7 HEX
ID-code / ID-2 code: IN5...IN8 / 01...04	F HEX / F HEX
AS-i voltage indicator / error indicator	green LED / red LED
inputs	
supply voltage for sensors	15 - 30 VDC
short-circuit protection with feedback	yes
total current for sensors -25...+40 °C	≤ 200 mA
total current for sensors +40...+70 °C	≤ 150 mA
polarity of the inputs	PNP
input current high / low	≥ 1,5 mA / ≤ 0,5 mA
input voltage high / low	> 10 VDC / < 5 VDC
input indicator	yellow LED
outputs	
switching element / polarity	FET / plus switching (PNP)
galvanic separation AS-i <-> load circuit	2000 VDC
switching current per output I _{max}	each 2,3 A
total current for outputs	4 A
short-circuit protection / with feedback	yes / peripheral error diagnosis LED
watchdog for bus monitoring	yes
output indicator	yellow LED
external power supply for outputs	via flat cable black
voltage range external feed	12 - 30 VDC
max. load inductivity (mH) @ 2,3 A	≤ 21 mH
general	
protection class	IP 20
temperature range / storage temperature	-25...+70 °C / -25...+85 °C
specification power supply unit for external feed	according to PELV
mounting	DIN rail
EMC	refer to the AS-i brochure
certificate no.	70905

connection diagram

general

port assignment:
D0, D1, D2, D3 input
P4, P5, P6, P7 input
D4, D5, D6, D7 output

possible conductor cross-sections:
sensor terminals: 0,08...2,5 mm²,
actuator terminals: 0,08...2,5 mm²

diagnosis

ASI (green)	Error (red)	Status	Description
●	●	POWER OFF	no AS-i power
⊙	○	Address = 0	Address = 0
●	○	no data exchange	Watchdog activated, Address ≠ 0
○	●	ok	ok
●	⊙	external RESET, overload	- Sensor supply overload - Sensor supply shorted
⊙	⊙	peripheral error	outputs: - overload / shorted

● LED dark ○ LED light ⊙ LED flashing

- A peripheral error at the outputs does not activate a master config. error
- Break of output cables not monitored