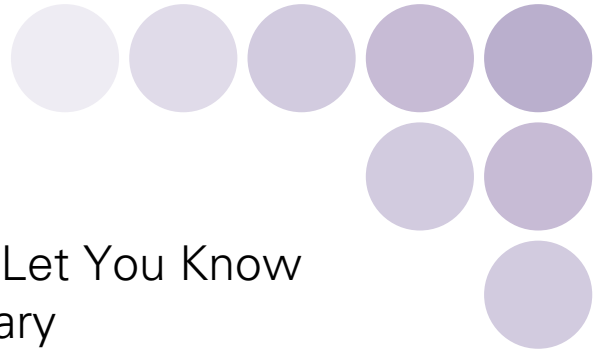


Power Supply Units with Maintenance Forecast Monitor for SYSMAC PLCs

CJ Series: CJ1W-PA205C

CS Series or C200HX/HG/HE: C200HW-PA204C

New PLC Power Supply Units That Let You Know
When Unit Replacement Is Necessary



CJ Series:
CJ1W-PA205C

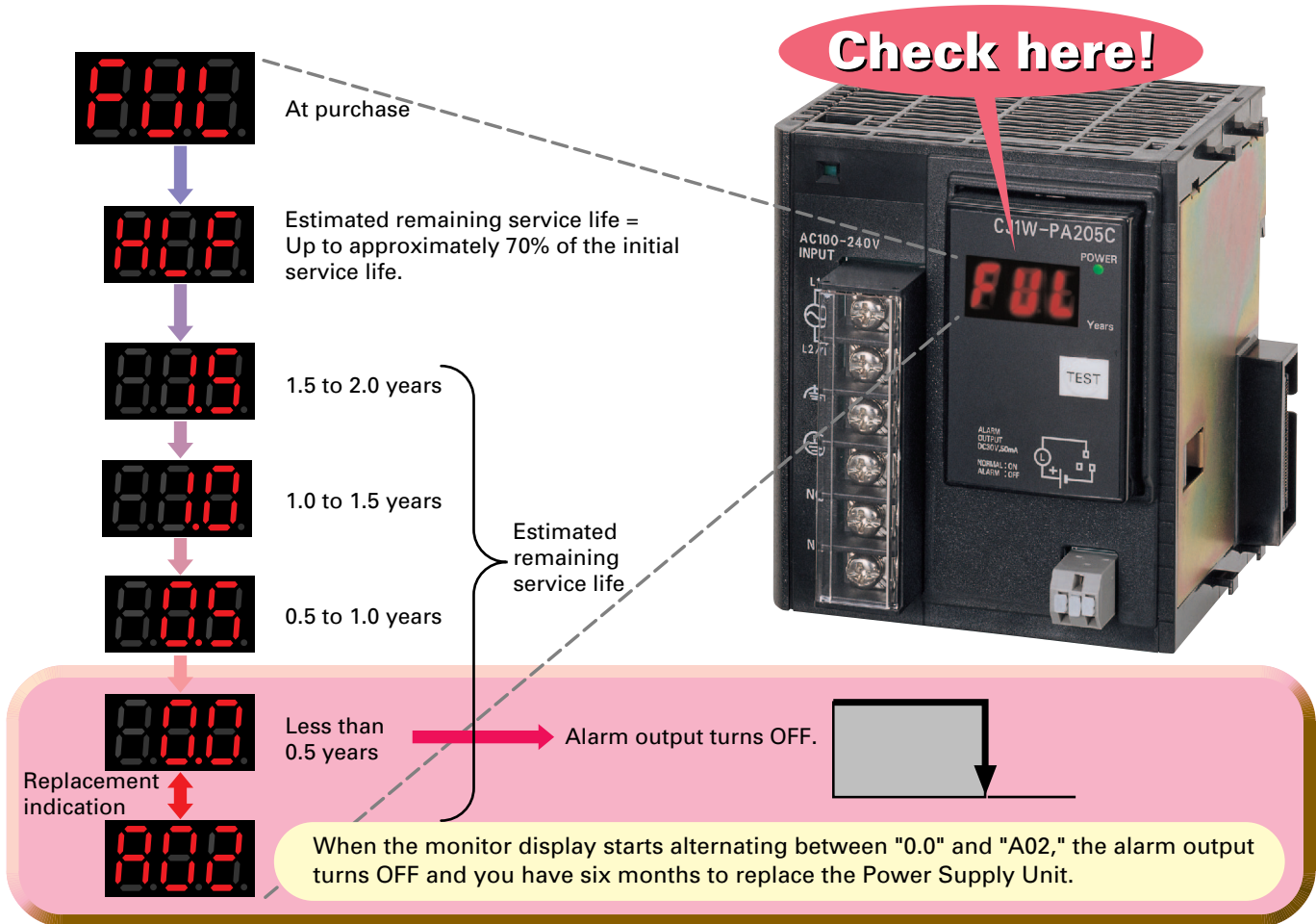


CS Series or
C200HX/HG/HE:
C200HW-PA204C

Alarm Output and 7-Segment Display Provide Ad

Schedule Replacement and Replace Units before Their Service Life Ends

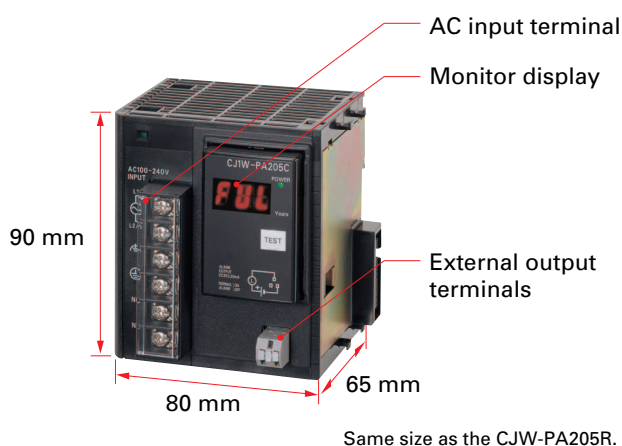
The Power Supply Unit has a 6-level, 7-segment display on the front to indicate when the Unit should be replaced. It also outputs an alarm when the estimated remaining service life falls below 6 months. This enables Unit replacement before the end of its service life before the system goes down. It also makes it easier to plan Unit replacement, such as the lines or Racks where replacement is necessary and the number of Units to replace.



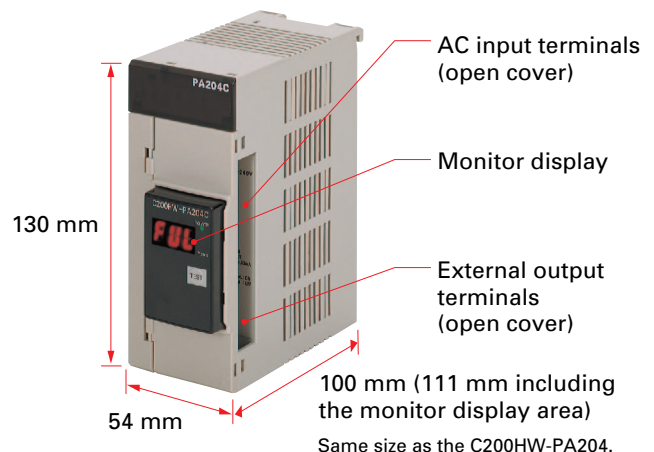
Same Wiring and Size as Current Power Supply Units

Simply replace your current Power Supply Unit to add the maintenance forecast monitor function. The CJ1W-PA205C is the same size as the CJ1W-PA205R and the C200HW-PA204C is the same size as the C200HW-PA204.

CJ Series



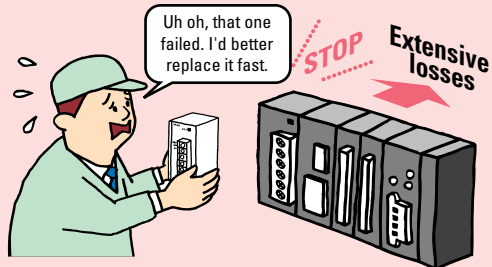
CS Series/C200HX/HG/HE



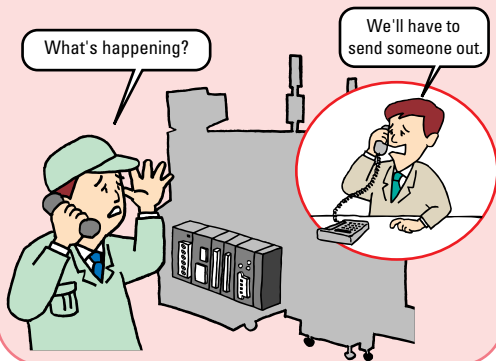
Advance Notification of the End of the Service Life

Before

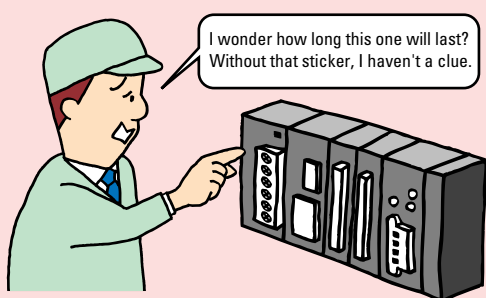
- Spare Power Supply Units were kept on hand in case one failed.



- A failed Power Supply Unit was costly in terms of getting equipment together and dispatching personnel.



- Figuring out when to replace Units took time. Here's a typical example. Stickers are supposed to be attached to the Unit to show when it was installed.



Administrative logs were kept as well, but they weren't very helpful.

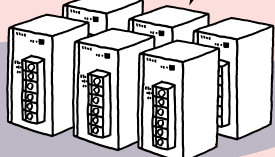
Administrative Log for Power Supply Units

Rack	Model	Installation date
A1	CJ1W-PA205R	00-07-01
A2	CJ1W-PA205R	01-03-21
B1	C200HW-PA204	02-10-10

Difficult to use

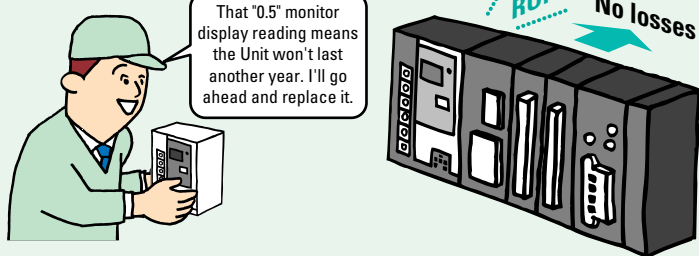
- Concern about Unit failure led to unnecessary stocking.

Spare Units were heavily stocked just in case.

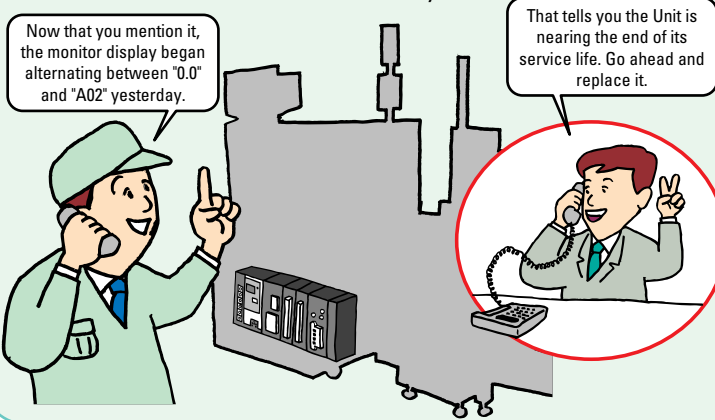


After

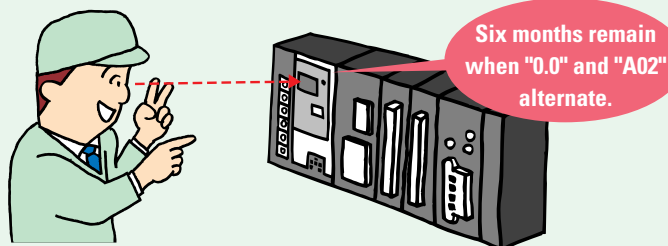
- Power Supply Units can be replaced before the end of their service life.



- A simple phone call to check the monitor display eliminates the need for confirmation and courtesy visits.



- The 7-segment display tells you when to replace the Unit even in the dark or far away. And you know only six months remain when the display alternates between "0.0" and "A02."



- A simple visit, routine or otherwise, and you'll know when Units need to be replaced. This helps you plan exactly when to replace Units, including the lines and Racks where replacement is necessary and the number of Units to replace. No more overstocked inventory of spare Units.

Reasonable number of spare Power Supply Units

Reasonably sized inventory

Routine Check of PLC Power Supply Units

Rack	Model	Indication
A1	CJ1W-PA205C	FUL
A2	CJ1W-PA205C	HLF
B1	C200HW-PA204C	0.5

Maintenance Forecast Monitor Function

Principle of Operation

PLC Power Supply Units are equipped with electrolytic capacitors. The electrolyte inside the capacitor penetrates the rubber seal and evaporates over time starting the day the capacitor is manufactured. This causes characteristics, like the capacitance, to decline and leads to deterioration of Power Supply Unit performance over time.

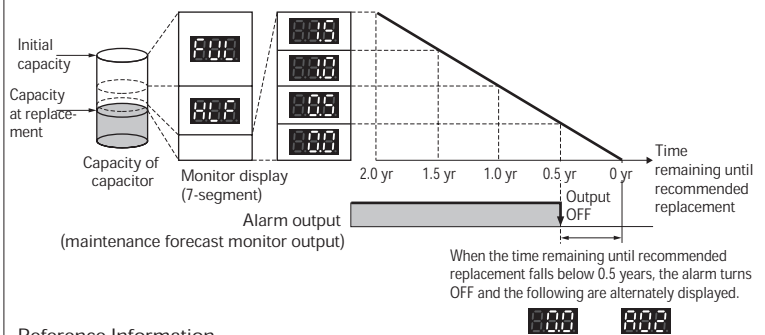
The maintenance forecast monitor function tracks the internal temperature of the PLC Power Supply Unit when power is supplied. It calculates deterioration of the electrolytic capacitor based on operating time and internal temperature. The function tells you the

approximate time left until the deterioration of electrolytic capacitor characteristics leads to a decline in Power Supply Unit performance, and it outputs an alarm when the estimated remaining service life of the Unit falls below six months. Use this function to gauge when the PLC Power Supply Unit should be replaced.

Note: The maintenance forecast monitor function only approximates when the Power Supply Unit should be replaced based on electrolytic capacitor deterioration. It does not predict failures due to other factors.

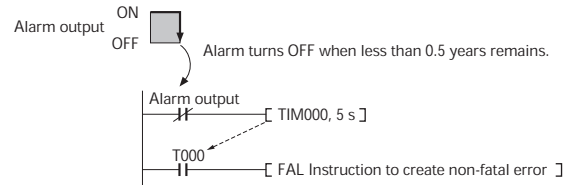
Functions

Specifications	Description
Replacement monitor display	<p>Three 7-segment LEDs indicate the time remaining until recommended replacement of the Power Supply Unit.</p> <ul style="list-style-type: none"> When the product is purchased, FUL will be displayed. As the electrolytic capacitor deteriorates, the display changes to HLF. If the time remaining until recommended replacement is less than two years, the monitor display shows decreasing values over time of "1.5," "1.0," "0.5," and finally "0.0" alternating with "A02," as shown on the right. The monitor display alternately displays "0.0" and "A02" at 2-s intervals when the time remaining until replacement falls below 0.5 years (6 months).
Alarm output (maintenance forecast monitor output)	<p>The alarm stays ON until the time remaining until recommended replacement reaches 0.5 years. It turns OFF when the time remaining falls below 0.5 years.</p> <p>Note: Other conditions that turn OFF the alarm output are as follows:</p> <ul style="list-style-type: none"> The AC input to the Power Supply Unit is turned OFF. The self-diagnosis function detects an error. The TEST Key is pressed and held for at least 3 s. TEST Key maintenance function
Test Key maintenance function	<ul style="list-style-type: none"> Press and hold the TEST Key for 3 seconds or longer to display "A02" and turn OFF the alarm. Release the key to return to normal status. The TEST Key is used to initially and periodically check the status of the alarm output as well as external connections. Press the TEST Key for up to 3 seconds to display the version number of the Power Supply Unit.



Reference Information

Alarm output example: Creating a Non-fatal Error when a Unit Needs to be Replace



A timer is used to delay execution of the FAL instruction to allow for the delay in the alarm output turning ON at startup. The FAL instruction does not create an error while the alarm output is ON (i.e., during normal operation), but creates a non-fatal error in the CPU Unit when the alarm output turns OFF (i.e., when Unit replacement is required).

Note: The Power Supply Unit must be stored at an ambient temperature of -25 to 30°C and a humidity of 25% to 70% to maintain the maintenance forecast monitor function when the Unit is stored without power supplied for more than three months.

Maintenance Forecast Monitor Function Module

C200HW-PA204C	CJ1W-PA205C

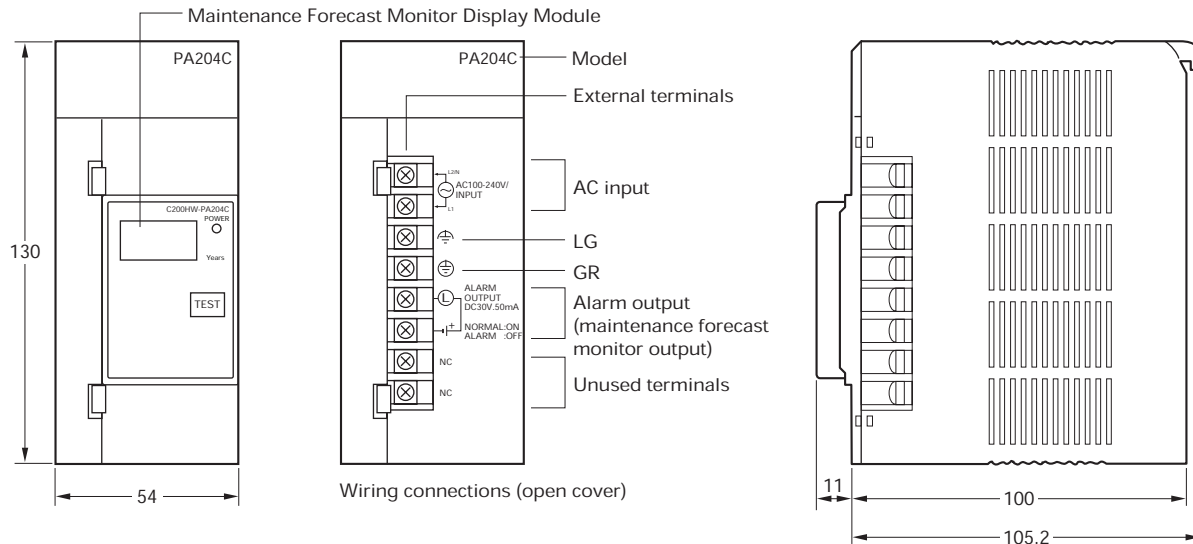
Ordering Information

Model	Specifications	International standards
CJ1W-PA205C	100 to 240 V DC, output capacity: 5 V DC, 5 A	Maintenance forecast monitor UC1, CE N, L (approval pending)
C200HW-PA204C	100 to 240 V DC, output capacity: 5 V DC, 4.6 A	

Part Names and Dimensions

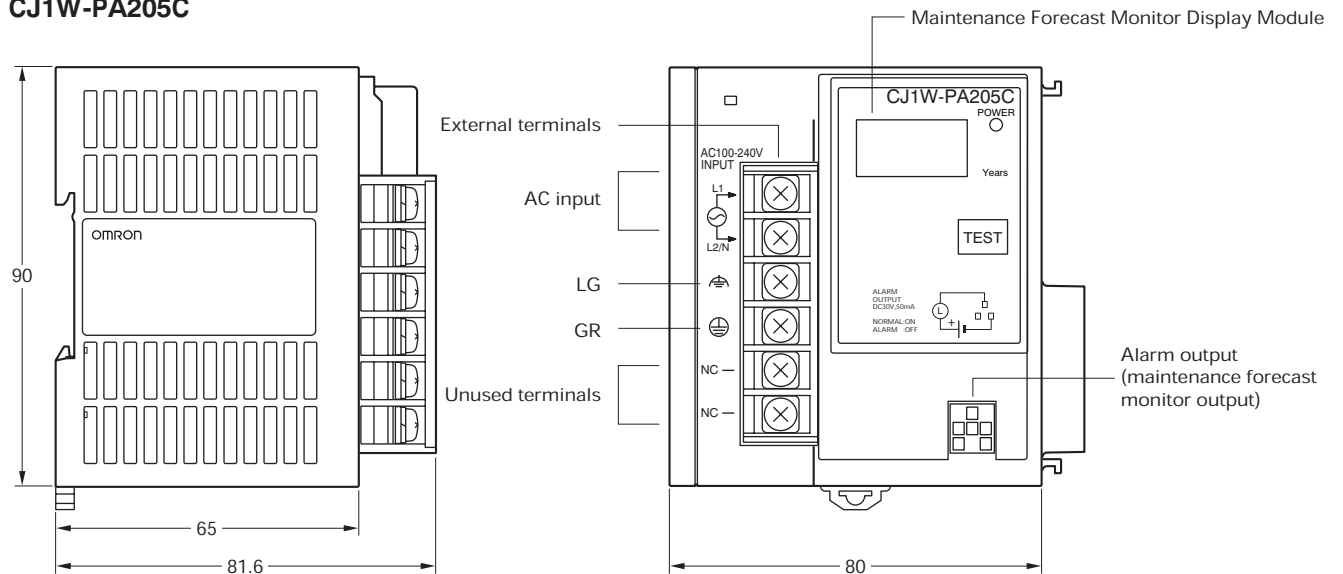
Unit: mm

C200HW-PA204C



- AC inputs: 100 to 240 V AC (50/60 Hz) power supply
- LG: Use a separate ground to 100 Ω or less to improve resistance to electric shock and noise.
- GR: Use a separate ground to 100 Ω or less to prevent electric shock.
- Alarm output (maintenance forecast monitor output): Turns ON when the remaining service life is 0.5 years or longer and turns OFF when the remaining service life is 0.5 years or shorter.
- Maintenance forecast monitor display module: Indicates when to replace the Power Supply Unit. It has a power indicator that is lit when 5 V is supplied from the Power Supply Unit.

CJ1W-PA205C



- AC inputs: 100 to 240 V AC (50/60 Hz) power supply
- LG: Use a separate ground to 100 Ω or less to improve resistance to electric shock and noise.
- GR: Use a separate ground to 100 Ω or less to prevent electric shock.
- Alarm output (maintenance forecast monitor output): Turns ON when the remaining service life is 0.5 years or longer and turns OFF when the remaining service life is 0.5 years or shorter.
- Maintenance forecast monitor display module: Indicates when to replace the Power Supply Unit. It has a power indicator that is lit when 5 V is supplied from the Power Supply Unit.

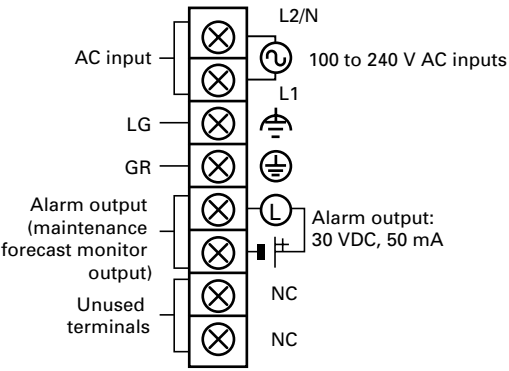
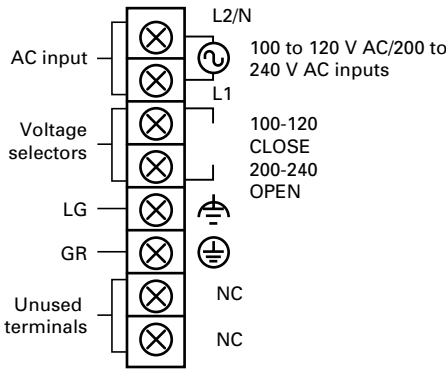
General Specifications

Item	Model	C200HW-PA204C	CJ1W-PA205C
Power supply voltage		100 to 240 V AC (wide-range), 50 to 60 Hz	
Allowable voltage range		85 to 264 V AC, 47 to 63 Hz	
Power consumption		100 VA max.	100 VA max.
Inrush current		100 to 120 V AC input: 15 A max. (for a cold start at room temperature) 200 to 240 V AC input: 30 A max. (for a cold start at room temperature)	
Power supply capacity		4.6 A at 5 V DC, 0.625 A at 26 V DC, 30 W total	5 A at 5 V DC, 0.8 A at 24 V DC, 25 W total
Power supply output terminals (service power supply)		None	
RUN output		None	
Monitor display		7-segment display	
Maintenance forecast monitor output		Yes (open-collector output) 50 mA max. at 30 V DC max.	
Insulation resistance		20 M Ω min. (at 500 V DC) between AC external and GR terminals as well as between all output terminals 20 M Ω min. (at 250 V DC) between all output and GR terminals	
Dielectric strength		2,300 V AC at 50/60 Hz for 1 min between AC external and GR terminals as well as between all output terminals, Leakage current: 10 mA max. 1,000 V AC at 50/60 Hz for 1 min between all output and GR terminals, Leakage current: 10 mA max.	
Noise immunity		2 kV on power supply line (conforming to IEC61000-4-4)	
Vibration resistance		10 to 57 Hz, 0.075-mm amplitude, 57 to 150 Hz, Acceleration: 9.8 m/s ² in X, Y, and Z directions for 80 minutes (Sweep time 8 min x 10 = total time 80 min.) (according to JIS C0040)	
Shock resistance		Acceleration: 147 m/s ² , 3 times each in X, Y, and Z directions (according to JIS C0040)	
Ambient operating temperature		0 to 55°C	
Ambient operating humidity (See note.)		0% to 90% (with no condensation)	
Atmosphere		Must be free from corrosive gases.	
Ambient storage temperature (See note.)		-20 to 75°C	
Grounding		Less than 100 Ω	
Enclosure		Mounted in a panel.	
Weight		500 g max.	400 g max.
Dimensions		54 x 130 x 111 mm (W x H x D) (including the maintenance forecast monitor display module)	80 x 90 x 81.6 mm (W x H x D)
Safety standards		Conforms to cULus and EC Directives . N and Lloyd (approval pending)	

Note: The Power Supply Unit must be stored at an ambient temperature of -25 to 30°C and a humidity of 25% to 70% to maintain the maintenance forecast monitor function when the Unit is stored without power supplied for more than three months.

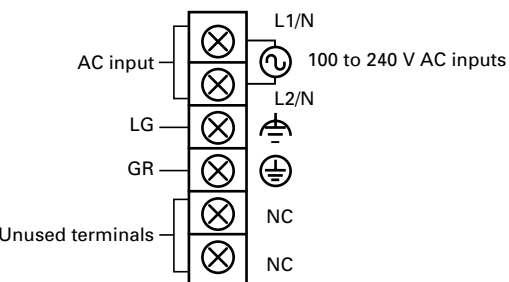
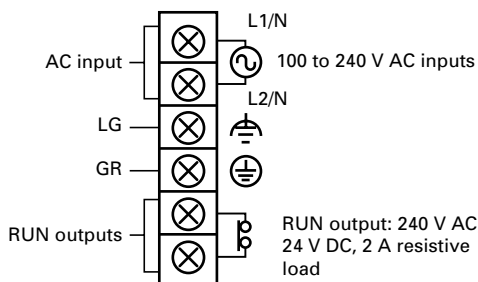
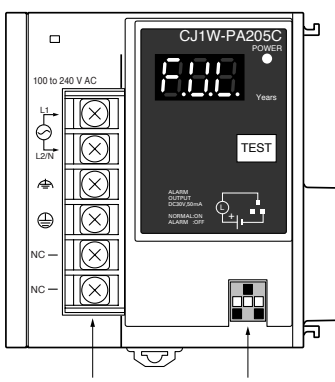
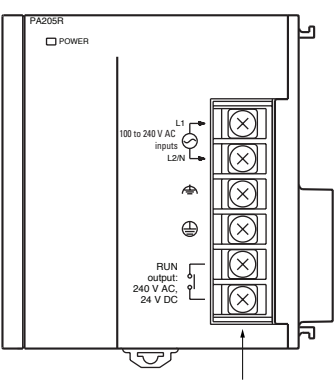
Comparison with Previous Models

C200HW-PA204C

Item	C200HW-PA204C	C200HW-PA204 (previous model)
Input specifications	100 to 240 V AC (wide range)	100 to 120 V AC/200 to 240 V AC (switchable)
Power interruption detection voltage	85 V max.	100 to 120 V AC: 85 V max. 200 to 240 V AC: 170 V max.
Service power supply	None	None (except for the PA204S)
RUN output	None	None (except for the PA204R)
Terminal block arrangement	<p>C200HW-PA204C</p> 	<p>C200HW-PA204</p> 
Power indicator	On the maintenance forecast monitor display module	On the Power Supply Unit
Maintenance forecast monitor function	Yes (7-segment display and transistor output)	None

Note: The time from external AC power supply input to 5 V or 26 V output.

CJ1W-PA205C

Item	CJ1W-PA205C	CJ1W-PA205R (previous model)
RUN output	None	Yes
Terminal block arrangement	<p>CJ1W-PA205C</p> 	<p>CJ1W-PA205R</p> 
Terminal block location	 <p>Terminal block Alarm output terminals</p>	 <p>Terminal block</p>
Power indicator	On the maintenance forecast monitor display module	On the Power Supply Unit
Maintenance forecast monitor function	Yes (7-segment display and transistor output)	None

Terms and Conditions of Sale

- Offer; Acceptance.** These terms and conditions (these "Terms") are deemed part of all quotes, agreements, purchase orders, acknowledgments, price lists, catalogs, manuals, brochures and other documents, whether electronic or in writing, relating to the sale of products or services (collectively, the "Products") by Omron Electronics LLC and its subsidiary companies ("Omron"). Omron objects to any terms or conditions proposed in Buyer's purchase order or other documents which are inconsistent with, or in addition to, these Terms.
- Prices; Payment Terms.** All prices stated are current, subject to change without notice by Omron. Omron reserves the right to increase or decrease prices on any unshipped portions of outstanding orders. Payments for Products are due net 30 days unless otherwise stated in the invoice.
- Discounts.** Cash discounts, if any, will apply only on the net amount of invoices sent to Buyer after deducting transportation charges, taxes and duties, and will be allowed only if (i) the invoice is paid according to Omron's payment terms and (ii) Buyer has no past due amounts.
- Interest.** Omron, at its option, may charge Buyer 1-1/2% interest per month or the maximum legal rate, whichever is less, on any balance not paid within the stated terms.
- Orders.** Omron will accept no order less than \$200 net billing.
- Governmental Approvals.** Buyer shall be responsible for, and shall bear all costs involved in, obtaining any government approvals required for the importation or sale of the Products.
- Taxes.** All taxes, duties and other governmental charges (other than general real property and income taxes), including any interest or penalties thereon, imposed directly or indirectly on Omron or required to be collected directly or indirectly by Omron for the manufacture, production, sale, delivery, importation, consumption or use of the Products sold hereunder (including customs duties and sales, excise, use, turnover and license taxes) shall be charged to and remitted by Buyer to Omron.
- Financial.** If the financial position of Buyer at any time becomes unsatisfactory to Omron, Omron reserves the right to stop shipments or require satisfactory security or payment in advance. If Buyer fails to make payment or otherwise comply with these Terms or any related agreement, Omron may (without liability and in addition to other remedies) cancel any unshipped portion of Products sold hereunder and stop any Products in transit until Buyer pays all amounts, including amounts payable hereunder, whether or not then due, which are owing to it by Buyer. Buyer shall in any event remain liable for all unpaid accounts.
- Cancellation; Etc.** Orders are not subject to rescheduling or cancellation unless Buyer indemnifies Omron against all related costs or expenses.
- Force Majeure.** Omron shall not be liable for any delay or failure in delivery resulting from causes beyond its control, including earthquakes, fires, floods, strikes or other labor disputes, shortage of labor or materials, accidents to machinery, acts of sabotage, riots, delay in or lack of transportation or the requirements of any government authority.
- Shipping; Delivery.** Unless otherwise expressly agreed in writing by Omron:
 - Shipments shall be by a carrier selected by Omron; Omron will not drop ship except in "break down" situations.
 - Such carrier shall act as the agent of Buyer and delivery to such carrier shall constitute delivery to Buyer;
 - All sales and shipments of Products shall be FOB shipping point (unless otherwise stated in writing by Omron), at which point title and risk of loss shall pass from Omron to Buyer; provided that Omron shall retain a security interest in the Products until the full purchase price is paid;
 - Delivery and shipping dates are estimates only; and
 - Omron will package Products as it deems proper for protection against normal handling and extra charges apply to special conditions.
- Claims.** Any claim by Buyer against Omron for shortage or damage to the Products occurring before delivery to the carrier must be presented in writing to Omron within 30 days of receipt of shipment and include the original transportation bill signed by the carrier noting that the carrier received the Products from Omron in the condition claimed.
- Warranties.** (a) **Exclusive Warranty.** Omron's exclusive warranty is that the Products will be free from defects in materials and workmanship for a period of twelve months from the date of sale by Omron (or such other period expressed in writing by Omron). Omron disclaims all other warranties, express or implied. (b) **Limitations.** OMRON MAKES NO WARRANTY OR REPRESENTATION, EXPRESS OR IMPLIED, ABOUT NON-INFRINGEMENT, MERCHANTABILITY OR FITNESS FOR A PARTICULAR PURPOSE OF THE PRODUCTS. BUYER ACKNOWLEDGES THAT IT ALONE HAS DETERMINED THAT THE PRODUCTS WILL SUITABLY MEET THE REQUIREMENTS OF THEIR INTENDED USE. Omron further disclaims all warranties and responsibility of any type for claims or expenses based on infringement by the Products or otherwise of any intellectual property right. (c) **Buyer Remedy.** Omron's sole obligation hereunder shall be, at Omron's election, to (i) replace (in the form originally shipped with Buyer responsible for labor charges for removal or replacement thereof) the non-complying Product, (ii) repair the non-complying Product, or (iii) repay or credit Buyer an amount equal to the purchase price of the non-complying Product; provided that in no event shall Omron be responsible for warranty, repair, indemnity or any other claims or expenses regarding the Products unless Omron's analysis confirms that the Products were properly handled, stored, installed and maintained and not subject to contamination, abuse, misuse or inappropriate modification. Return of any Products by Buyer must be approved in writing by Omron before shipment. Omron Companies shall not be liable for the suitability or unsuitability or the results from the use of Products in combination with any electrical or electronic components, circuits, system assemblies or any other materials or substances or environments. Any advice, recommendations or information given orally or in writing, are not to be construed as an amendment or addition to the above warranty. See <http://www.omron247.com> or contact your Omron representative for published information.
- Limitation on Liability; Etc.** OMRON COMPANIES SHALL NOT BE LIABLE FOR SPECIAL, INDIRECT, INCIDENTAL, OR CONSEQUENTIAL DAMAGES, LOSS OF PROFITS OR PRODUCTION OR COMMERCIAL LOSS IN ANY WAY CONNECTED WITH THE PRODUCTS, WHETHER SUCH CLAIM IS BASED IN CONTRACT, WARRANTY, NEGLIGENCE OR STRICT LIABILITY. Further, in no event shall liability of Omron Companies exceed the individual price of the Product on which liability is asserted.
- Indemnities.** Buyer shall indemnify and hold harmless Omron Companies and their employees from and against all liabilities, losses, claims, costs and expenses (including attorney's fees and expenses) related to any claim, investigation, litigation or proceeding (whether or not Omron is a party) which arises or is alleged to arise from Buyer's acts or omissions under these Terms or in any way with respect to the Products. Without limiting the foregoing, Buyer (at its own expense) shall indemnify and hold harmless Omron and defend or settle any action brought against such Companies to the extent based on a claim that any Product made to Buyer specifications infringed intellectual property rights of another party.
- Property; Confidentiality.** Any intellectual property in the Products is the exclusive property of Omron Companies and Buyer shall not attempt to duplicate it in any way without the written permission of Omron. Notwithstanding any charges to Buyer for engineering or tooling, all engineering and tooling shall remain the exclusive property of Omron. All information and materials supplied by Omron to Buyer relating to the Products are confidential and proprietary, and Buyer shall limit distribution thereof to its trusted employees and strictly prevent disclosure to any third party.
- Export Controls.** Buyer shall comply with all applicable laws, regulations and licenses regarding (i) export of products or information; (ii) sale of products to "forbidden" or other proscribed persons; and (iii) disclosure to non-citizens of regulated technology or information.
- Miscellaneous.** (a) **Waiver.** No failure or delay by Omron in exercising any right and no course of dealing between Buyer and Omron shall operate as a waiver of rights by Omron. (b) **Assignment.** Buyer may not assign its rights hereunder without Omron's written consent. (c) **Law.** These Terms are governed by the law of the jurisdiction of the home office of the Omron company from which Buyer is purchasing the Products (without regard to conflict of law principles). (d) **Amendment.** These Terms constitute the entire agreement between Buyer and Omron relating to the Products, and no provision may be changed or waived unless in writing signed by the parties. (e) **Severability.** If any provision hereof is rendered ineffective or invalid, such provision shall not invalidate any other provision. (f) **Setoff.** Buyer shall have no right to set off any amounts against the amount owing in respect of this invoice. (g) **Definitions.** As used herein, "including" means "including without limitation"; and "Omron Companies" (or similar words) mean Omron Corporation and any direct or indirect subsidiary or affiliate thereof.

Certain Precautions on Specifications and Use

- Suitability of Use.** Omron Companies shall not be responsible for conformity with any standards, codes or regulations which apply to the combination of the Product in the Buyer's application or use of the Product. At Buyer's request, Omron will provide applicable third party certification documents identifying ratings and limitations of use which apply to the Product. This information by itself is not sufficient for a complete determination of the suitability of the Product in combination with the end product, machine, system, or other application or use. Buyer shall be solely responsible for determining appropriateness of the particular Product with respect to Buyer's application, product or system. Buyer shall take application responsibility in all cases but the following is a non-exhaustive list of applications for which particular attention must be given:
 - Outdoor use, uses involving potential chemical contamination or electrical interference, or conditions or uses not described in this document.
 - Use in consumer products or any use in significant quantities.
 - Energy control systems, combustion systems, railroad systems, aviation systems, medical equipment, amusement machines, vehicles, safety equipment, and installations subject to separate industry or government regulations.
 - Systems, machines and equipment that could present a risk to life or property. Please know and observe all prohibitions of use applicable to this Product.

NEVER USE THE PRODUCT FOR AN APPLICATION INVOLVING SERIOUS RISK TO LIFE OR PROPERTY OR IN LARGE QUANTITIES WITHOUT ENSURING THAT THE SYSTEM AS A WHOLE HAS BEEN DESIGNED TO ADDRESS THE RISKS, AND THAT THE OMRON'S PRODUCT IS PROPERLY RATED AND INSTALLED FOR THE INTENDED USE WITHIN THE OVERALL EQUIPMENT OR SYSTEM.
- Programmable Products.** Omron Companies shall not be responsible for the user's programming of a programmable Product, or any consequence thereof.
- Performance Data.** Data presented in Omron Company websites, catalogs and other materials is provided as a guide for the user in determining suitability and does not constitute a warranty. It may represent the result of Omron's test conditions, and the user must correlate it to actual application requirements. Actual performance is subject to the Omron's Warranty and Limitations of Liability.
- Change in Specifications.** Product specifications and accessories may be changed at any time based on improvements and other reasons. It is our practice to change part numbers when published ratings or features are changed, or when significant construction changes are made. However, some specifications of the Product may be changed without any notice. When in doubt, special part numbers may be assigned to fix or establish key specifications for your application. Please consult with your Omron's representative at any time to confirm actual specifications of purchased Product.
- Errors and Omissions.** Information presented by Omron Companies has been checked and is believed to be accurate; however, no responsibility is assumed for clerical, typographical or proofreading errors or omissions.



OMRON ELECTRONICS LLC • THE AMERICAS HEADQUARTERS • Schaumburg, IL USA • 847.843.7900 • 800.556.6766 • www.omron247.com

OMRON CANADA, INC. • HEAD OFFICE

Toronto, ON, Canada • 416.286.6465 • 866.986.6766
www.omron247.com

OMRON ELETRÔNICA DO BRASIL LTDA • HEAD OFFICE

São Paulo, SP, Brasil • 55.11.2101.6300 • www.omron.com.br

OMRON ELECTRONICS MEXICO SA DE CV • HEAD OFFICE

Apodaca, N.L. • 52.811.156.99.10 • 001.800.556.6766 • mela@omron.com

OMRON ARGENTINA • SALES OFFICE

Cono Sur • 54.11.4783.5300

OMRON CHILE • SALES OFFICE

Santiago • 56.9.9917.3920

OTHER OMRON LATIN AMERICA SALES

54.11.4783.5300

OMRON EUROPE B.V. Wegalaan 67-69, NL-2132 JD, Hoofddorp, The Netherlands. Tel: +31 (0) 23 568 13 00 Fax: +31 (0) 23 568 13 88 www.industrial.omron.eu