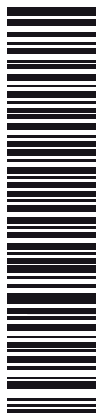
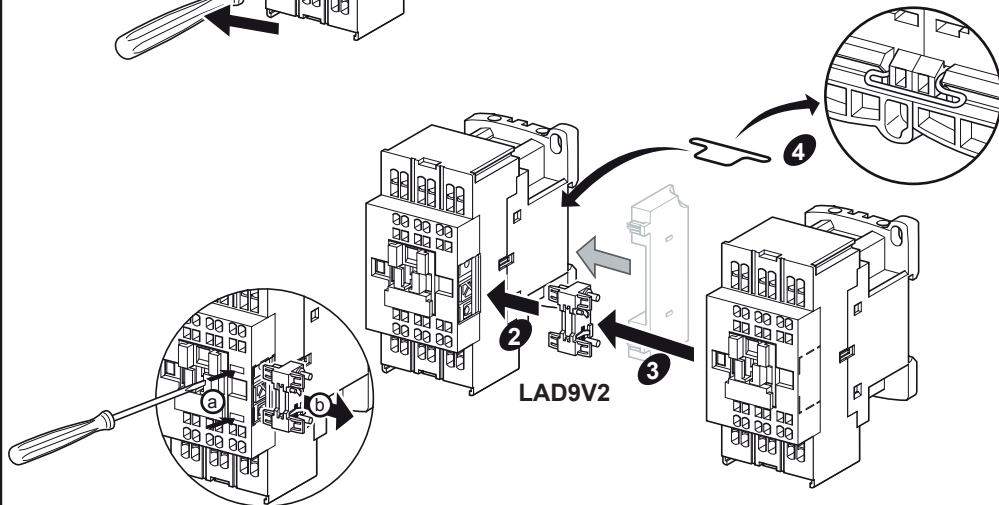
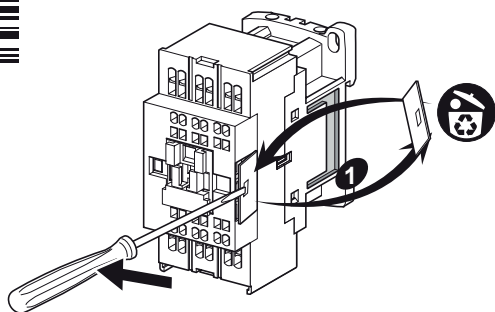
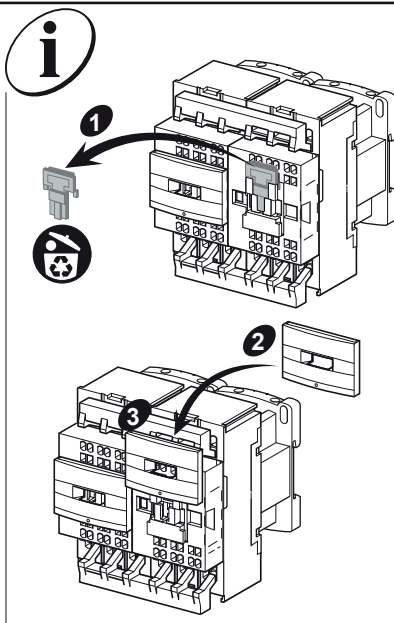


# LAD9V10 / V11 / V12 / V13 (2 x LC1D●●3 / LC2D●●3)

www.schneider-electric.com



W916433930131

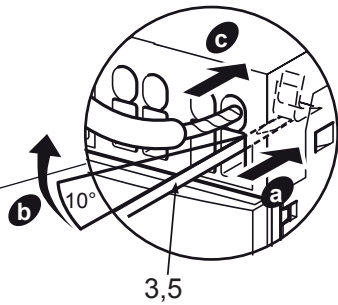
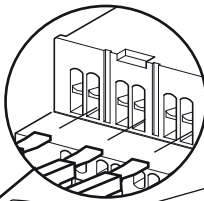


## **⚠ ⚠ DANGER**

**HAZARD OF ELECTRIC SHOCK, EXPLOSION, OR ARC FLASH**  
Disconnect all power before servicing equipment.  
Failure to follow these instructions will result in death  
or serious injury.



<math><4\text{mm}^2</math>



L1/1, L2/3, L3/5.

2

1

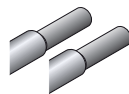
LAD9V12

T1/2, T2/4, T3/6.

2

1

LAD9V13



2 X 4mm<sup>2</sup>



LC2D323

1

2

3

LAD9V11

LAD33



1

LAD9V10

1

LAD9V11

2

2

LAD33

