

TPC-1270H

12.1" SVGA TFT LCD Pentium® M/ Celeron® M Touch Panel Computer



Features

- Intel® Pentium® M Processor up to 1.4 GHz on board
- 12.1" SVGA TFT LCD
- Compact design with Al-Mg front bezel and Die-Casting Al alloy housing
- Fanless cooling system
- NEMA4/IP65 compliant front panel
- Supports Microsoft® Windows XP/CE and WinXPe
- Downward I/O cabling
- Automatic data flow control RS-485
- Gigabit Ethernet supported



Introduction

With a high quality TFT LCD display, TPC-1270H is designed with the Intel Pentium M 1.4 GHz/Celeron® M 1 GHz processor as its core. The Intel Pentium M/Celeron M has low power consumption and 1.4 GHz/1 GHz operating frequency. This system is fanless although the kernel is powerful. In addition, spindle-free storage makes the TPC-1270H a durable and reliable platform. For applications where spindle-free storage is not critical, a fast-access HDD module can be used. The rich I/O portfolio meets diverse requests.

Specifications

General

- **BIOS** Award® 4 MB
- **Certifications** BSMI, CCC, CE, FCC, UL
- **Cooling System** Fanless design
- **Dimensions (W x H x D)** 311 x 237 x 52.3 mm (12.24" x 9.33" x 2.06")
- **Enclosure** Front bezel: Al-Mg
Back housing: Die-Casting Aluminum alloy
- **Mounting** Desktop, Wall or Panel Mount
- **OS Support** Windows XP/CE and WinXPe
(WinCE only for C1E/P1E)
- **Power Consumption** 40 W (typical)
- **Power Input** 18 ~ 32 V_{DC}
- **Watchdog Timer** 1 sec (system)
- **Weight (Net)** 3.3 kg (7.28 lbs)

System Hardware

- **Audio Ports** 1 x MIC-in, 1 x Line-out
- **CPU** Intel Pentium M 1.4 GHz/Celeron M 1 GHz
- **Expansion Slots** 1 x CompactFlash® slot
1 x PCI-104 Slot
- **Graphics Controller** Intel 915 GME
- **LAN** 1 x 10/100Base-T, 1 x 10/100/1000Base-T
(TPC-1270H-P1E/P2E)
2 x 10/100Base-T (TPC-1270H-C1E)
- **Memory** 512MB DDR2 SDRAM on board
1G DDR2 SDRAM on board (TPC-1270H-P2E)
- **Serial Ports** 3 x RS-232 (COM1, 2, 3)
1 x RS-232/422/485 (COM4)
Auto data flow control: COM3, 4
- **Storage** 1 x 2.5" SATA HDD (optional)
- **USB Ports** 4 x USB 2.0
- **Video Ports** 1 x VGA

LCD Display

- **Display Type** SVGA TFT LCD
- **Display Size** 12.1"
- **Max. Resolution** 800 x 600
- **Max. Colors** 262 K
- **Luminance cd/m²** 350
- **Viewing Angle (H/V°)** 140/120
- **Backlight Life** 50,000 hrs
- **Contrast Ratio** 500 : 1

Touchscreen

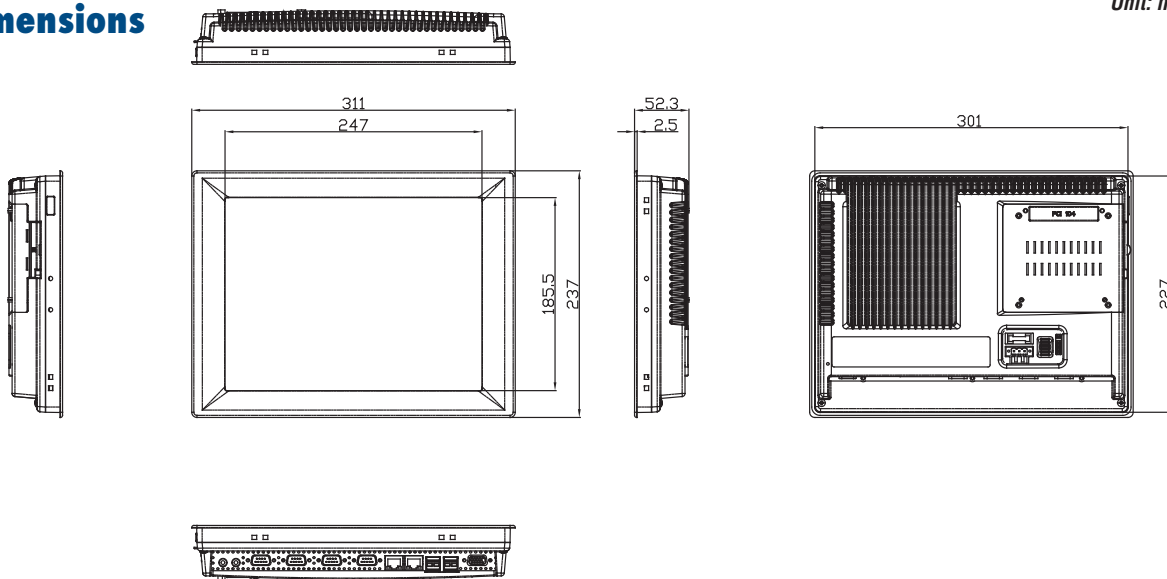
- **Lifespan** 1 million touches at single point
- **Light Transmission** Above 75%
- **Resolution** Linearity
- **Type** 8-wire, analog resistive

Environment

- **Humidity** 10 ~ 95% RH @ 40° C, non-condensing
- **Ingress Protection** Front panel: NEMA4, IP65
- **Operating Temperature** 0 ~ 50° C (32 ~ 122° F)
- **Storage Temperature** -20 ~ 60° C (-4 ~ 140° F)
- **Vibration Protection** With HDD: 1 grms (5 ~ 500 Hz)
(Operating, random vibration)

Dimensions

Unit: mm

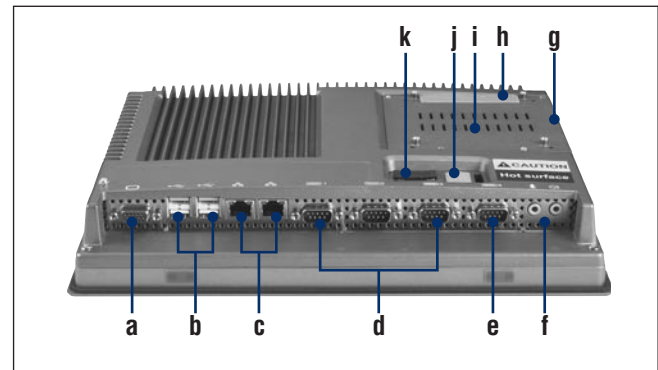


Panel Cut-out Dimensions: 302.5 x 228.5 mm

Ordering Information

- **TPC-1270H-P1E** 12.1" SVGA TFT LCD Touch Panel Computer with Intel Pentium M 1.4 GHz CPU, 512 MB DDR SDRAM
- **TPC-1270H-P2E** TPC-1270H-P1E with 1GB DDR SDRAM
- **TPC-1270H-C1E** 12.1" SVGA TFT LCD Touch Panel Computer with Intel Celeron M 1 GHz CPU, 512 MB DDR SDRAM
- **TPC-1270H-SMKE** TPC-1270H Desktop Stand
- **TPC-1270H-WMKE** TPC-1270H Wallmount Kit
- **TPC-1270H-EPKE** TPC Series PC/PCI-104 Extension Kit
- **PWR-247-AE** 24 V 50 W AC-DC Power Adapter

Rear View



- a. VGA
- b. USB 2.0
- c. LAN (10/100,1G)
- d. COM (RS-232)
- e. COM (RS-232/422/485)
- f. Audio (MIC, Line-Out)
- g. CompactFlash
- h. PCI-104
- i. 2.5" SATA HDD Housing
- j. Power Switch
- k. Fuse (3.15A), Power Receptor