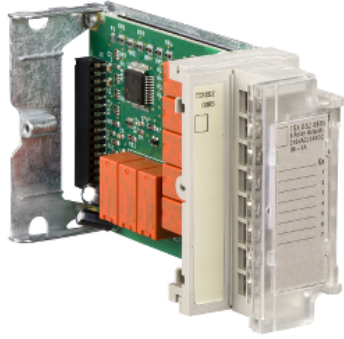


Product data sheet

Specifications



TSX Micro - 8 discret output DC

TSXDSZ08T2

! Discontinued on: 31 December 2019

! To be end-of-service on: 31 December 2027

! Discontinued - Service only

Main

Range of product	Modicon TSX Micro automation platform
Product or component type	Discrete output module
Discrete output number	8 screw terminal block
Discrete output voltage	24 V DC
Discrete output current	0.5 mA
Discrete output logic	Positive

Complementary

Output voltage limits	19...30 V
Output current limits	0.625 A
Maximum leakage current	0.5 mA at state 0
[Ures] residual voltage	0.3 V
Load impedance ohmic	48 Ohm
Response time	< 0.5 ms at state 1 < 0.5 ms at state 0
Switching frequency	< 0.6/LI ² Hz
Output overvoltage protection	By zener diode
Output short-circuit protection	Thermal circuit breaker Current limiter
Reverse polarity protection	Reverse diode on power supply
Paralleling of outputs	Yes : 2 maximum
Current consumption	38 mA
Power dissipation in W	3.5 W by module 0.15 W by channel
Isolation voltage	1500 V for 1 s
Net weight	0.24 kg

Packing Units

Unit Type of Package 1	PCE
Number of Units in Package 1	1

Package 1 Weight	329 g
Package 1 Height	5.7 cm
Package 1 width	18 cm
Package 1 Length	26 cm
Unit Type of Package 2	S03
Number of Units in Package 2	8
Package 2 Weight	3 kg
Package 2 Height	30 cm
Package 2 width	30 cm
Package 2 Length	40 cm

Offer Sustainability

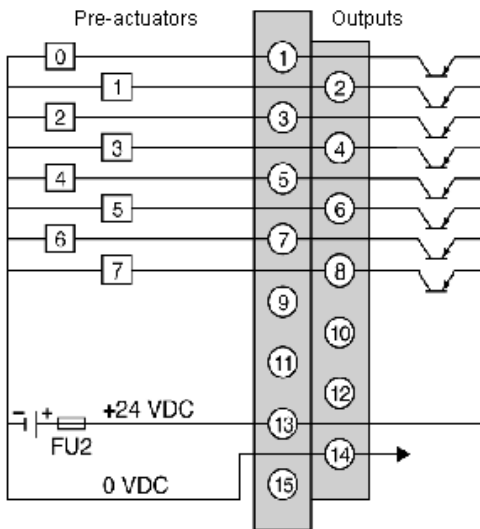
EU RoHS Directive	Not applicable, out of EU RoHS legal scope
China RoHS Regulation	China RoHS declaration
WEEE	The product must be disposed on European Union markets following specific waste collection and never end up in rubbish bins
California proposition 65	WARNING: This product can expose you to chemicals including: Lead and lead compounds which is known to the State of California to cause Carcinogen & Reproductive harm. For more information go to www.p65warnings.ca.gov

Contractual warranty

Warranty	18 months
-----------------	-----------

Pre-Actuators/Outputs Connections

Wiring Diagram



FU2 = 6.3A fuse with rapid fusion.