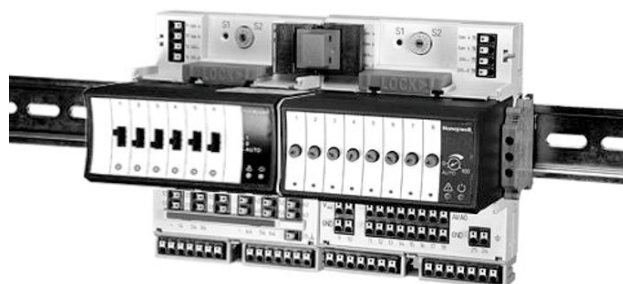


LonWorks Bus I/O Modules

PRODUCT DATA



GENERAL

The Honeywell LONWORKS Bus I/O Modules communicate via the LONWORKS Bus.

These pluggable LONWORKS Bus I/O modules consist of a terminal socket and a removable electronic module, allowing the socket to be mounted and wired before the electronic module is installed. All such electronic modules can be swapped out without disrupting the power and bus connections: Simply unplug the “old” and insert the “new” module.



WARNING

Risk of electric shock or equipment damage!

- ▶ Do not touch any live parts in the cabinet.
- ▶ Disconnect the power supply before you start to install the control system.
More than one disconnect switch may be required to de-energize the system.
- ▶ Do not reconnect the power supply until you have completed the installation.
- ▶ Unused terminals must be closed (by completely screwing in the terminal screws), thus preventing the accidental touching of “live” parts.

Software updates, configuration, and commissioning are all done automatically by the controller for all LONWORKS Bus I/O Modules.

The Honeywell LONWORKS Bus I/O Modules may be used with any CPU supporting LONWORKS Bus communication (e.g., the XL800, CPO-PC-6A, etc.).

FEATURES

- Plug-and-play functionality for easy maintenance.
- LONWORKS Bus I/O modules are pluggable and can thus be exchanged without rewiring. Further, the separate installation of terminal sockets and electronic modules lower risk of damage and theft in the construction phase.
- Fast wiring with state-of-the-art push-in terminals (screw-type terminals also available) and bridge connectors.
- Wide range of sensors supported (NTC20k Ω , NTC10k Ω , PT1000-1/-2, Johnson A99 PTC, NI1000TK5000, PT3000, Balco500, 0/2...10 V, 0/4...20 mA).
- The Binary input LEDs of the Honeywell LONWORKS Bus I/O Modules can be configured for status display (off / yellow) or alarm display (green / red) per channel.
- Configurable safety position for outputs, in case of loss of communication with the controller.
- Max. wiring flexibility due to optional accessories like auxiliary terminals and cross-connectors.
- Can be mounted in small installation housings
- Flexible mix of LONWORKS Bus I/O modules covering all your application requirements.

OVERVIEW

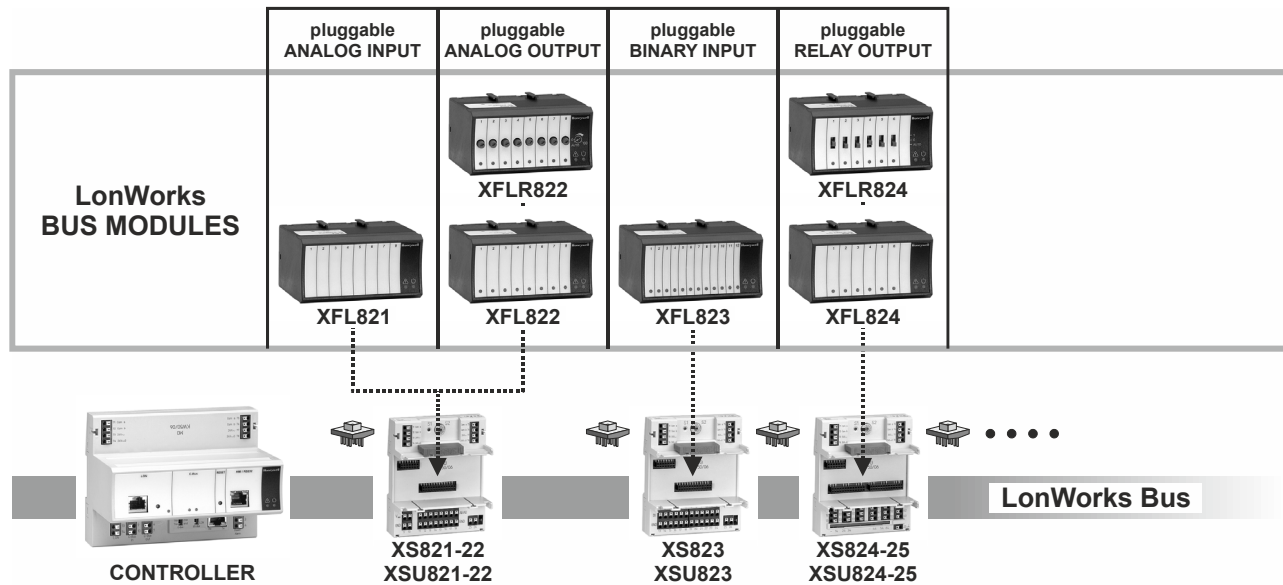



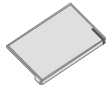


Fig. 1. Overview of Honeywell LONWORKS Bus I/O Modules
 Table 1. Overview of LONWORKS Bus I/O Modules

order number	description
LONWORKS Bus I/O Modules	
XFL821	LONWORKS Bus Analog Input Module (with 8 analog inputs)
XFL822	LONWORKS Bus Analog Output Module (with 8 analog outputs)
XFLR822	LONWORKS Bus Analog Output Module (with 8 analog outputs and manual overrides)
XFL823	LONWORKS Bus Binary Input Module (with 12 binary inputs)
XFL824	LONWORKS Bus Relay Output Module (with 6 relay outputs)
XFLR824	LONWORKS Bus Relay Output Module (with 6 relay outputs and manual overrides)
Terminal Sockets	
XS821-22	Push-in terminal socket for AI/AO modules (incl. bridge connector, swivel label)
XSU821-22	Screw-type terminal socket for AI/AO modules (incl. bridge connector, swivel label)
XS823	Push-in terminal socket for BI modules (incl. bridge connector, swivel label)
XSU823	Screw-type terminal socket for BI modules (incl. bridge connector, swivel label)
XS824-25	Push-in terminal socket for relay/floating output modules (incl. bridge connector, cross connector, swivel label)
XSU824-25	Screw-type terminal socket for relay/floating output modules (incl. bridge connector, cross connector, swivel label)

Table 2. Overview of auxiliary parts and spare parts

order number	description
 <p>XS814</p>	Ten Auxiliary Terminal Blocks (for distribution of signals/power). Each terminal block includes two groups with seven internally-connected push-in terminals.
 <p>XS815</p>	20 Cross-Connectors for connection of six relay commons. One Cross-Connector is included in the Terminal Socket package.
 <p>XS816</p>	10 Bridge Connectors. One Bridge Connector is included in the Terminal Socket package.
 <p>XAL10</p>	10 Swivel Labels Holders (for attaching the application-specific label printed with CARE). One Swivel Label Holder is included in each Terminal Socket package.

NOTE: All Honeywell LONWORKS Bus analog and binary I/O Modules are protected against short circuit, 24 VAC +20% and 40 VDC. Relay output modules should be equipped with appropriate fusing to protect against short-circuiting of the load.

Table 3. LonWorks Bus I/O Module specifications

Module	Analog Input	Analog Output	Binary Input	Relay Output
	XFL821	XFL822, XFLR822	XFL823	XFL824, XFLR824
no. of I/Os	8 analog inputs	8 analog outputs	12 binary inputs requiring a gold contact or open collector	6 relay outputs
characteristics	Linear Graph, 0...10 VDC with pull-up, 0(2)...10 VDC without pull-up NTC20kΩ (-50...+150 °C, default) NTC10kΩ (-30...+100 °C) PT ₁₀₀₀₋₁ (-50...150 °C) PT ₁₀₀₀₋₂ (0...400 °C) Johnson A99 PTC (-40...+120 °C) NI1000TK5000 (-30...+130 °C) PT ₃₀₀₀ (-50...150 °C) BALCO ₅₀₀ (-30...120 °C) Also configurable as: binary inputs <ul style="list-style-type: none"> Linear graph (0...10 V with pull-up) Features: <ul style="list-style-type: none"> 16-bit resolution configurable offset per input auxiliary voltage: 10 VDC, I_{max} = 5 mA 	0...11 VDC / ± 1 mA Also configurable as: floating outputs or binary outputs (0 V / 10 V) Features: <ul style="list-style-type: none"> 8-bit resolution (default) Safety position (remain, 0%, 50%, 100%) red LED per output light intensity follows output level in auto Version with manual override (R): <ul style="list-style-type: none"> 1 potentiometer per output auto feedback signal (mode + value) blinking in manual override position 	static binary input, (default: dry contact) Also configurable as: totalizers (20 Hz) Features: <ul style="list-style-type: none"> 1 LED per input Color mode can be set per input to OFF/yellow or green/red using CARE ON: < 1.6 kΩ to GND or < 2.5 V to GND, OFF: > 90 kΩ to GND or > 4 V to GND 	relay outputs (default) Features: <ul style="list-style-type: none"> Changeover relays Voltage: 19...250 VAC, 1...29 VDC, P>50 mW max. total current: 12 A current per relay: N.O.: 4(4) A (AC) or 4(1) A (DC), N.C.: 2(1) A (AC) or 4(1) A (DC) Safety position (remain, 0%, 100%) yellow LED per output With man. override (R): <ul style="list-style-type: none"> 1 switch per output auto feedback signal (mode + value) blinking in manual override position

Manual Overrides as per EN ISO 16484-2:2004

The manual override switches and potentiometers of the output modules support direct operation as per EN ISO 16484-2:2004, section 5.4.3 "Local Priority Override/Indicating Units."

Specifically, the positions of the manual override switches and potentiometers directly control the outputs – independently of the controller and HMI. When a manual override switch or potentiometer is not in its default position ("auto"), the corresponding output LED will blink continuously, and the output module will send a feedback signal with the status "manual override" and the given override position to the controller (which will then also store this information in its alarm memory).

NOTE: When updating the firmware of output modules, their outputs are turned OFF – regardless of the position of their manual override switches and/or potentiometers.

GENERAL FEATURES

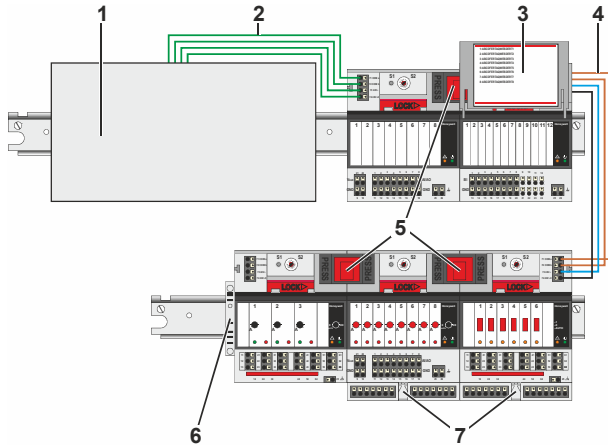


Fig. 2. LonWorks Bus I/O Modules on DIN rails

Legend

- 1 Controller (e.g., XL800, XL Web II, CPO-PC-6A, etc.)
- 2 Cable (power and LONWORKS) connection from controller to LONWORKS Bus I/O Modules
- 3 Swivel label holder
- 4 Cable connection between LONWORKS Bus I/O Modules on separate DIN rails
- 5 Bridge connectors between LONWORKS Bus I/O Modules on same DIN rail
- 6 Stopper (from 3rd-party supplier)
- 7 Auxiliary terminal packages

LEDs

Each Honeywell LONWORKS Bus I/O Module is equipped with:

- one green power LED
- one yellow service LED
- one LONWORKS service button

Overvoltage Protection

All Honeywell LONWORKS Bus analog and binary I/O Modules are protected against short circuit, 24 VAC +20% and 40 VDC. Relay output modules should be equipped with appropriate fusing to protect against short-circuiting of the load.

Service LED

Each LONWORKS Bus I/O Module is equipped with a yellow service LED (status: yellow/OFF) for easy diagnosis of failures.

LonWorks Service Button

Each LONWORKS Bus I/O Module is equipped with a LONWORKS service button.

Microprocessors

Each LONWORKS I/O Module is equipped with an FTT-10A transceiver (link power-compatible) and can thus be used with any LONWORKS controller.

In addition to the main microprocessor, the LONWORKS Bus I/O Modules also have their own Neuron chip (3120).

System Constraints

Table 4. System constraints

Max. no. of I/O modules (any combination) per controller	depends upon controller type
Max. no. of I/O modules per row	10
Max. current (F1)	4 A
Max. current (F2)	12 A
Max. current (F3)	12 A
Max. row length	3 m
Max. distance between rows	40 m
Min. cross-section of GND (terminal 9) (protected by F2)	1.5 mm ²

Analog Input Modules

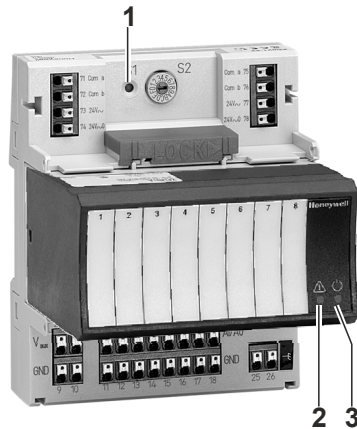


Fig. 3. XFL821 LonWorks Bus AI Module (shown with terminal socket)

Legend

- 1 LonWorks service button S1
- 2 Service LED
- 3 Power LED

NOTE: The hex switch S2 (located next to the LONWORKS service S1) has no function in combination with a LONWORKS Bus I/O module. It is used with Panel Bus I/O modules, only.

The Honeywell LONWORKS Bus Analog Input Module, with 8 analog inputs, is installed with the XS821-22 or XSU821-22 Terminal Socket.

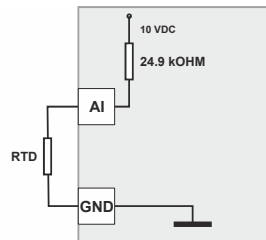


Fig. 4. Analog input low impedance (input circuit for PT1000, Johnson A99 PTC, Balco500, PT3000, NI1000TK5000, slow binary input)

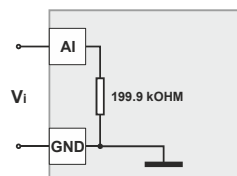


Fig. 5. Analog input high impedance (input circuit for voltage input for active sensors)

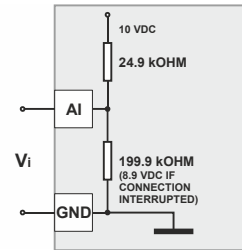


Fig. 6. Analog input impedance setpoint (input circuit for NTC10kΩ, NTC20kΩ, wall module setpoint)

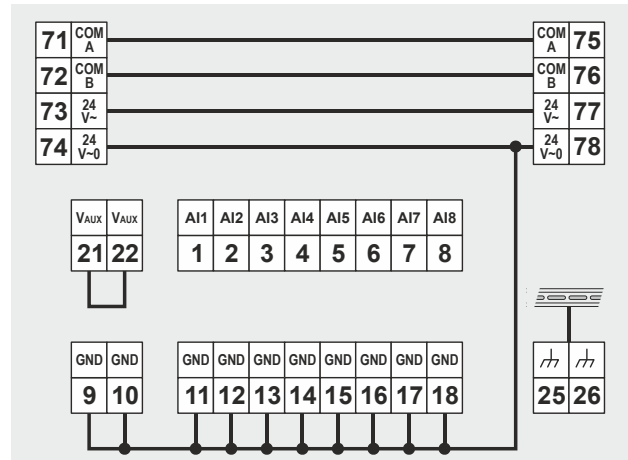


Fig. 7. Terminal assignment and internal connections

Features

- 0...10 VDC, 2...10 VDC without pull-up
- 0...10 VDC with pull-up (linear graph, e.g., used for wall module connection)
- 0/4...20 mA, needs 499 Ω resistor in parallel
- NTC20kΩ (-50...+150 °C, default)
- NTC10kΩ (-30...+100 °C)
- PT1000-1 (-50...+150 °C)
- PT1000-2 (0...+400 °C)
- NI1000TK5000 (-30...+130 °C)
- PT3000 (-50...+150 °C)
- BALCO500 (-30...+120 °C)
- Binary input
- 16-bit resolution
- Configurable offset per input
- Auxiliary voltage: 10 VDC, I_{MAX} = 5 mA
- Sensor failure detection

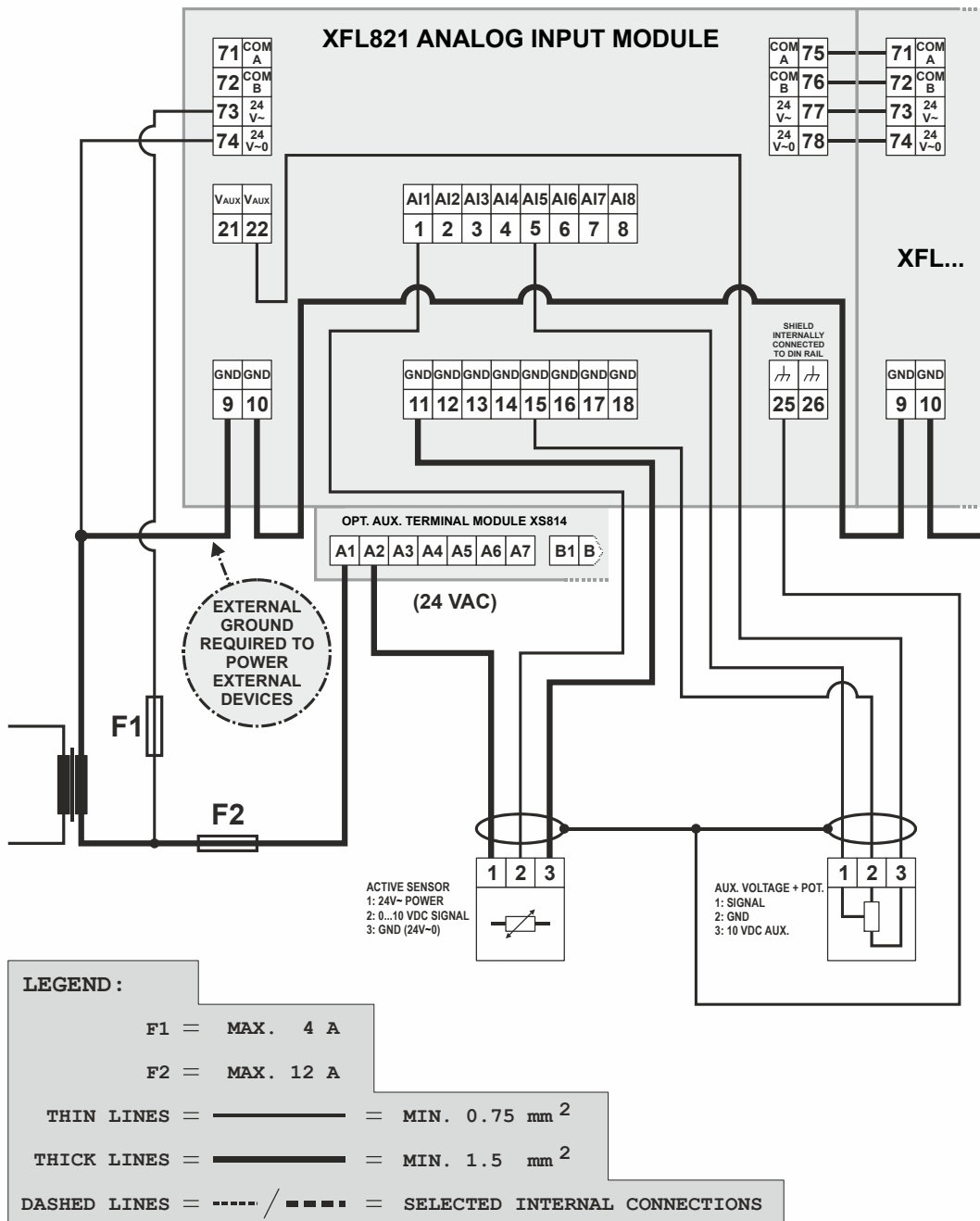


Fig. 8. XFL821 LonWorks Bus AI Module, wiring example 1: Active sensor and potentiometer

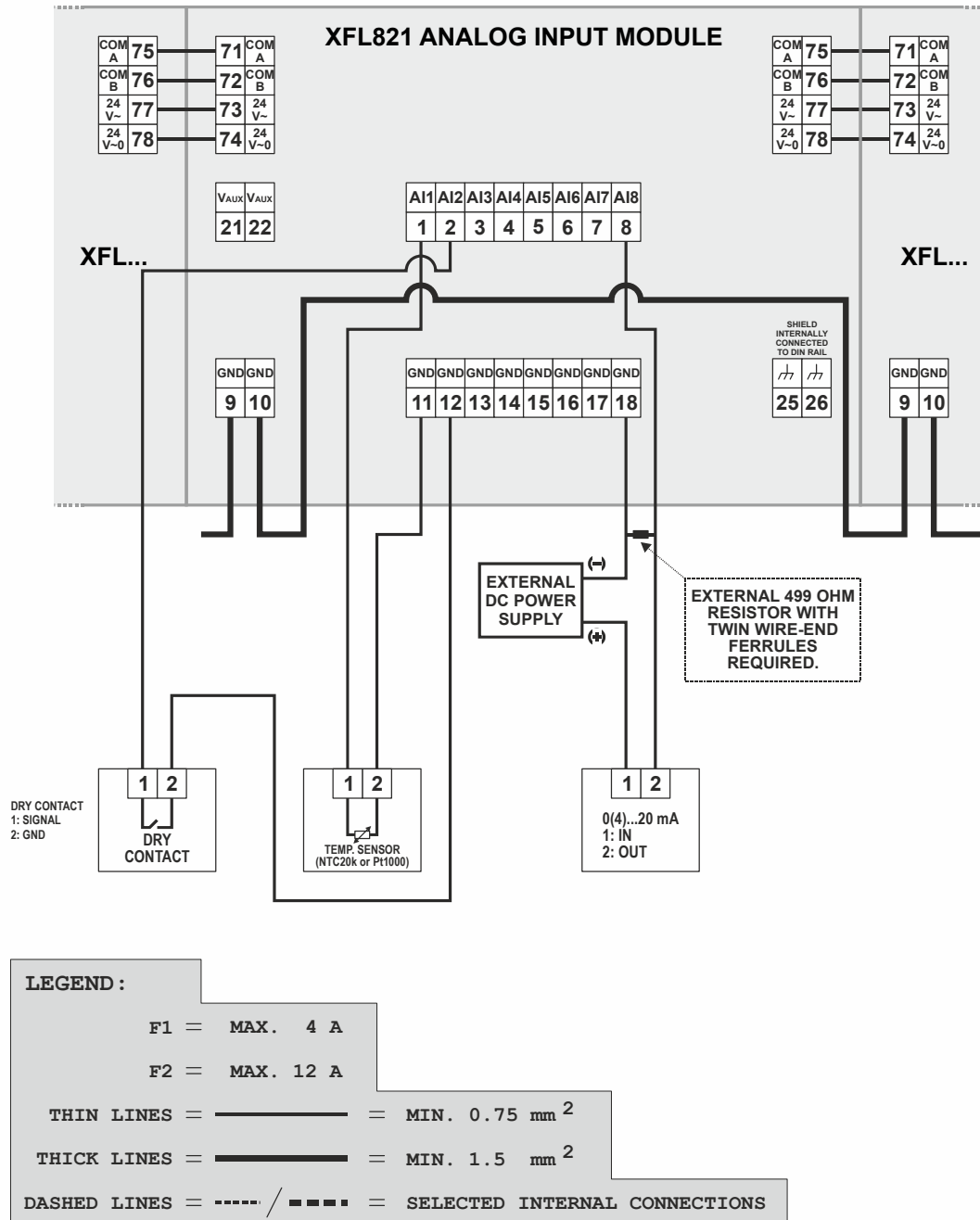


Fig. 9. XFL821 LonWorks Bus AI Module, wiring example 2: Passive sensor and 0 (4) ... 20 mA signal

Analog Output Modules

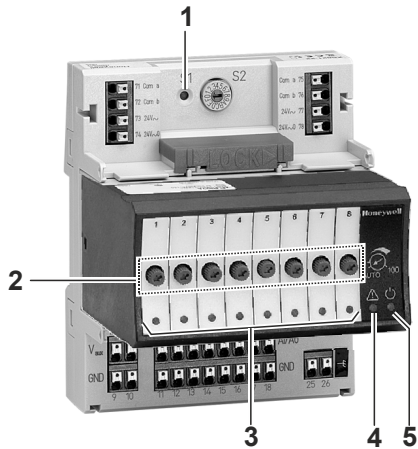


Fig. 10. XFLR822 LonWorks Bus AO Module (shown with terminal socket)

Legend

- 1 LONWORKS service button S1
- 2 Manual overrides
- 3 Status LEDs
- 4 Service LED
- 5 Power LED

NOTE: The hex switch S2 (located next to the LONWORKS service S1) has no function in combination with a LONWORKS Bus I/O module. It is used with Panel Bus I/O modules, only.

The Honeywell LONWORKS Bus Analog Output Modules, with 8 analog outputs, are available in the following models:

- XFL822 LONWORKS Bus Analog Output Module (without manual overrides)

- XFLR822 LONWORKS Bus Analog Output Module (with manual overrides)

They are installed with the XS821-22 or XSU821-22 Terminal Socket.

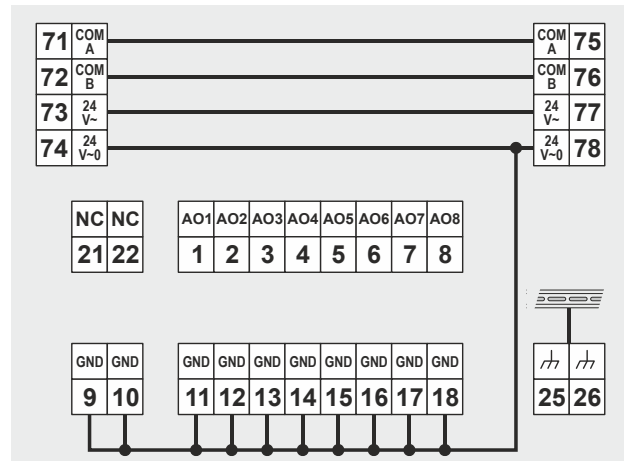


Fig. 11. Terminal assignment and internal connections

Features

- 0...11 VDC, +/-1 mA
- Floating actuator (requires MCD3)
- Binary output (0 V / 10 V)
- red LED per output (brightness according to signal level)
- Optional versions with manual override potentiometers (Auto, 0...100%; LED flashes in override mode)
- Feedback on manual override signal
- 8-bit resolution
- Configurable safety position for outputs in case of communication problems (remain, 0%, 50%, 100%)

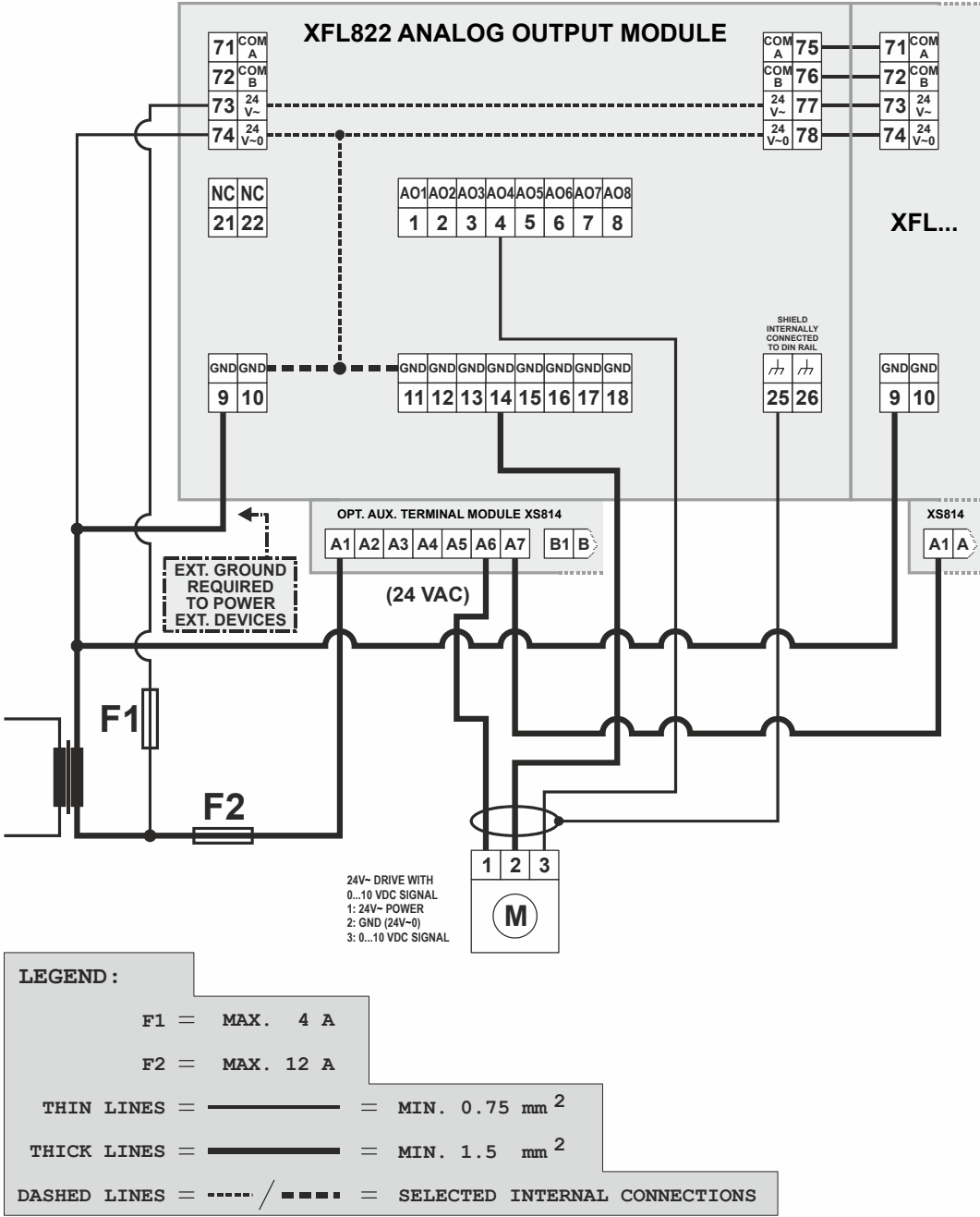


Fig. 12. XFL822 LONWORKS Bus AO Module, wiring example 1: Actuator

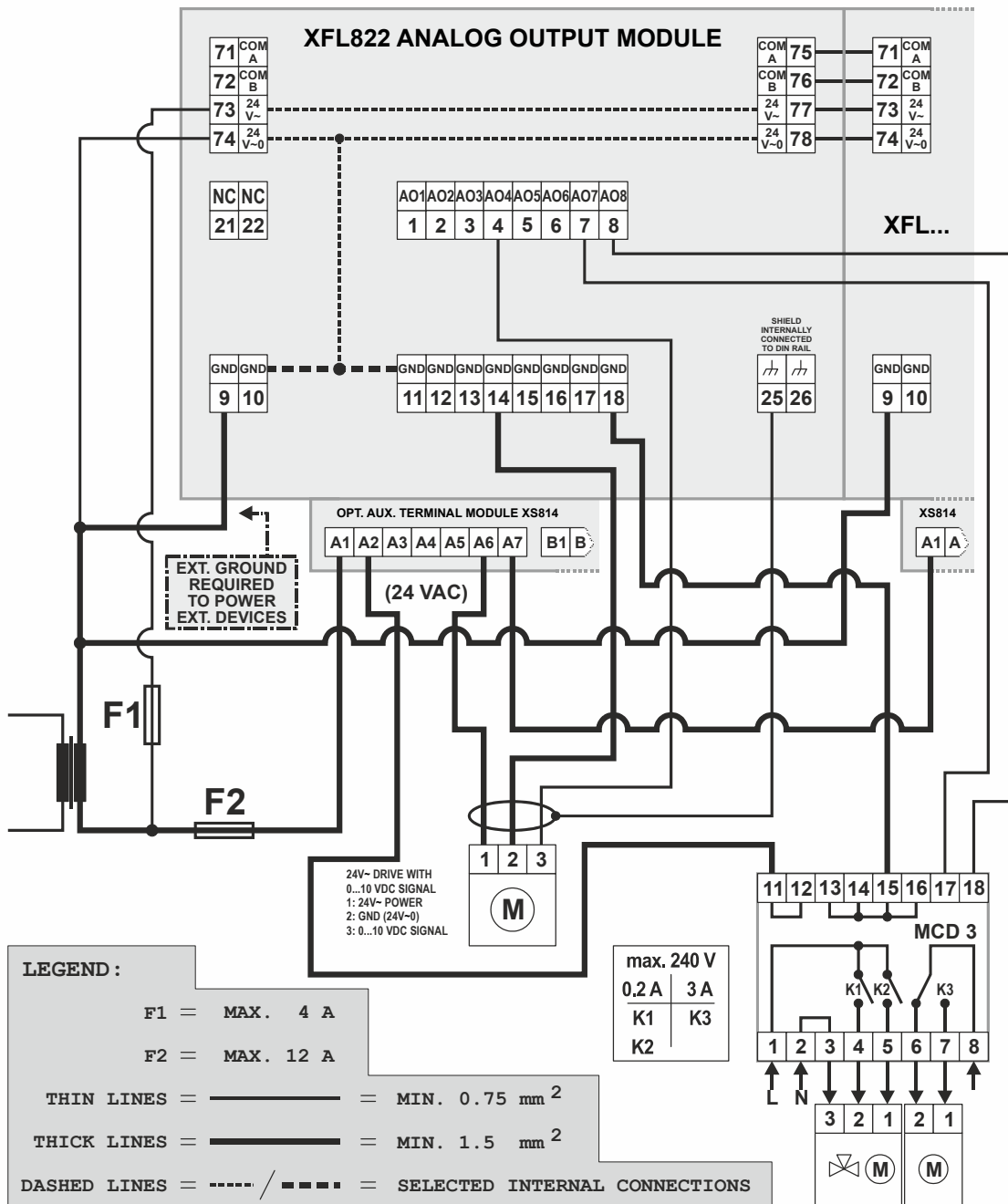


Fig. 13. XFL822 LonWorks Bus AO Module, wiring example 2: Relay Module MCD 3

- The relay module facilitates the control of peripheral devices with high load via the analog outputs.
- Input terminal 17 of MCD3 controls changeover contact K3.
- Relay terminal 18 of MCD3 controls the N.O. contacts (floating outputs) K1, K2.

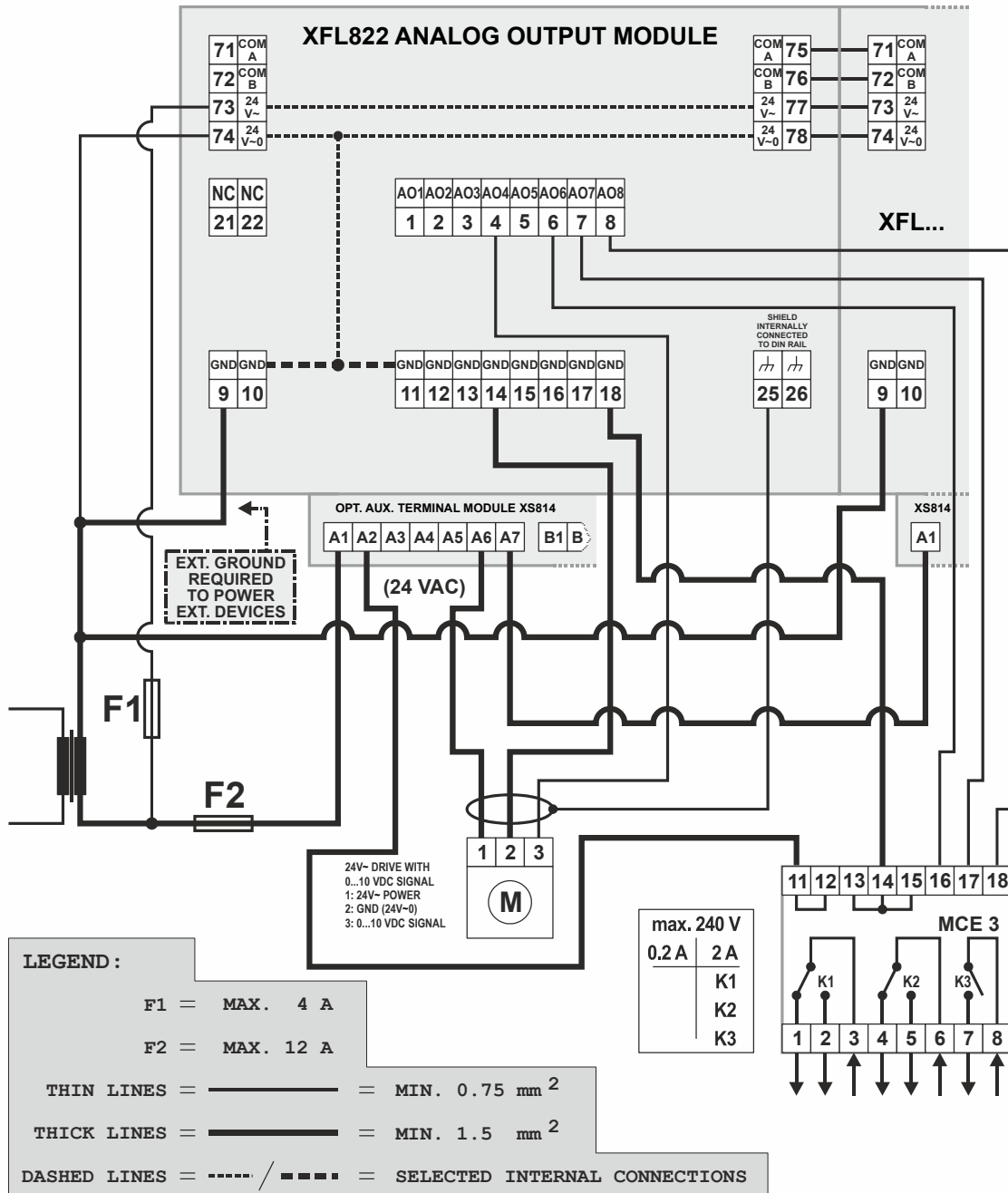


Fig. 14. XFL822 LonWorks Bus AO Module, wiring example 3: Relay Module MCE 3

The relay module facilitates the control of peripheral devices with high load via the analog outputs.

- Input terminal 16 of MCE3 controls the N.O. contact K3.
- Input terminal 17 of MCE3 controls the changeover contact K2.
- Input terminal 18 of MCE3 controls the changeover contact K1.

Binary Input Modules

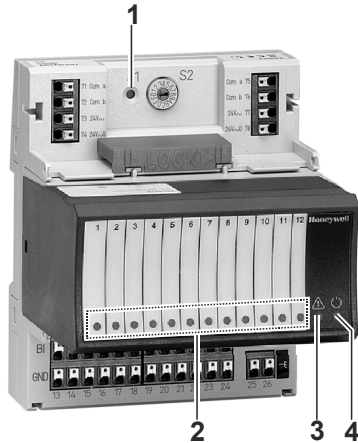


Fig. 15. XFL823 LONWORKS Bus BI Module (shown with XS823 terminal socket)

Legend

- 1 LONWORKS service button S1
- 2 Status LEDs
- 3 Service LED
- 4 Power LED

NOTE: The hex switch S2 (located next to the LONWORKS service S1) has no function in combination with a LONWORKS Bus I/O module. It is used with Panel Bus I/O modules, only.

The Honeywell LONWORKS Bus Binary Input Module, with 12 binary inputs, is installed with the XS823 or XSU823 Terminal Socket.

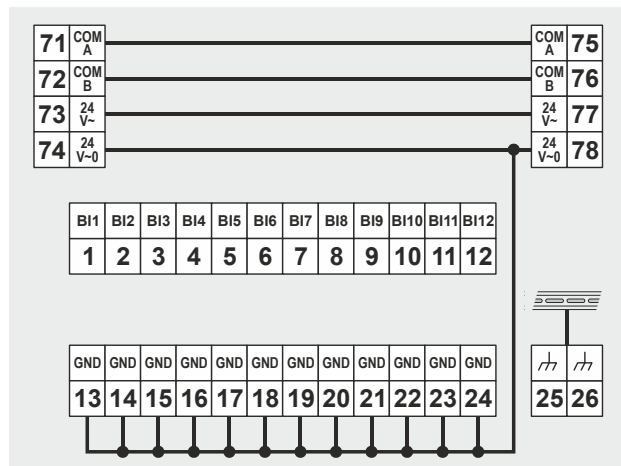


Fig. 16. Terminal assignment and internal connections

Features

- Static binary input (dry contact)
- Totalizer for up to 20 Hz
- LEDs per binary input supporting alarm display mode (red/green) or status mode (off/yellow).
- Color mode of each LED can be set to OFF/yellow or green/red in CARE.

Configuration as Fast Totalizer

Using CARE, the binary inputs can be configured as fast totalizers for operation in conjunction with devices equipped with an open collector output.

Table 5. Binary inputs used as fast totalizers

Frequency	max. 20 Hz
Pulse ON	min. 25 ms
Pulse OFF	min. 25 ms
Bounce	max. 5 ms

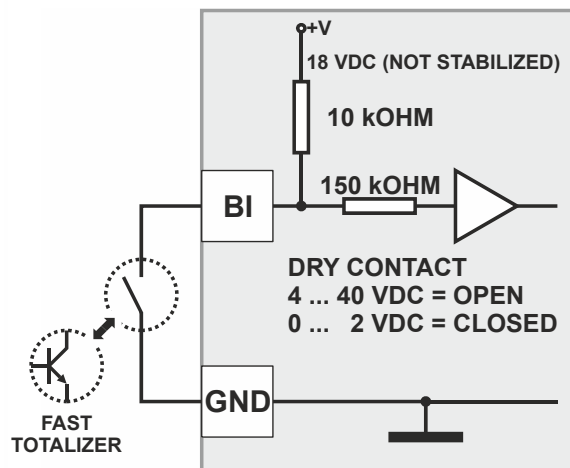
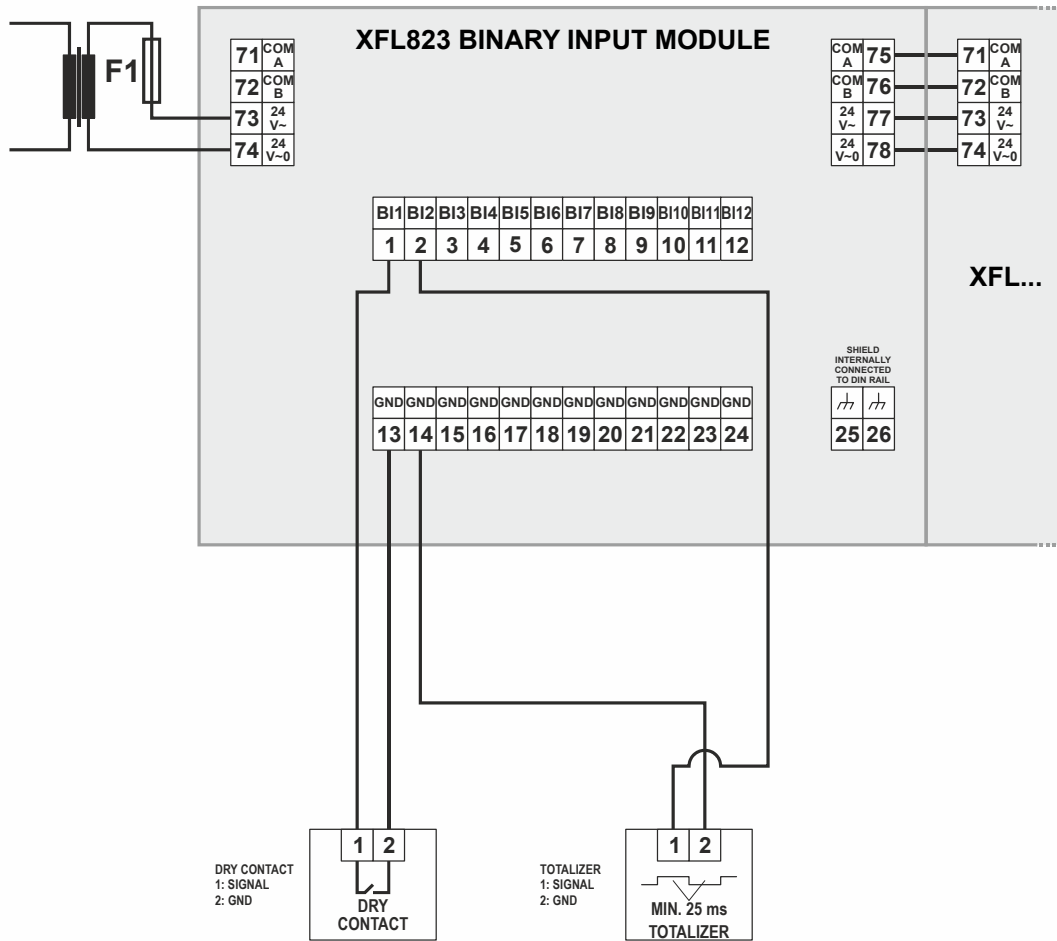


Fig. 17. Configuration of binary input as fast totalizer



LEGEND :

F1	=	MAX.	4 A
THIN LINES	=	—————	= MIN. 0.75 mm ²
THICK LINES	=	—————	= MIN. 1.5 mm ²
DASHED LINES	=	----- / - - - - -	= SELECTED INTERNAL CONNECTIONS

Fig. 18. XFL823 LonWorks Bus BI Module, wiring example: Dry contact and totalizer

Relay Output Modules

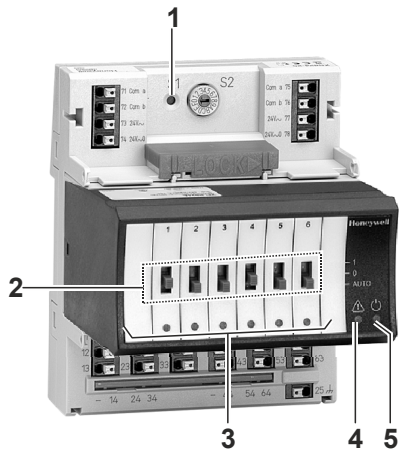


Fig. 19. XFLR824 LONWORKS Bus Relay Output Module (shown with terminal socket)

Legend

- 1 LONWORKS service button S1
- 2 Manual overrides
- 3 Status LEDs
- 4 Service LED
- 5 Power LED

NOTE: The hex switch S2 (located next to the LONWORKS service S1) has no function in combination with a LONWORKS Bus I/O module. It is used with Panel Bus I/O modules, only.

The Honeywell LONWORKS Bus Relay Output Modules, with 6 relay outputs, are available in the following versions:

- XFL824 LONWORKS Bus Relay Output Module (without manual overrides)
- XFLR824 LONWORKS Bus Relay Output Module (with manual overrides)

They are installed with the XS824-25 or XSU824-25 Terminal Socket.

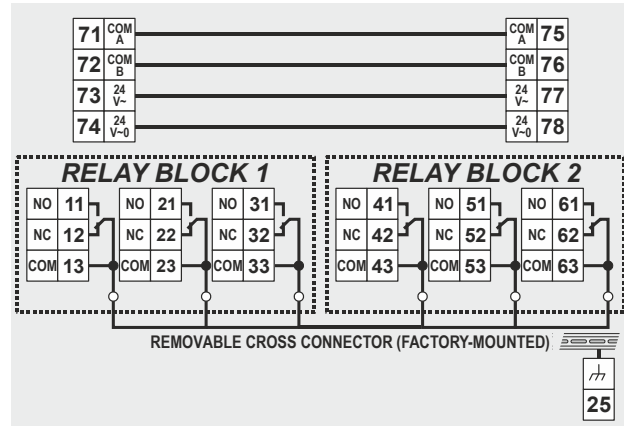
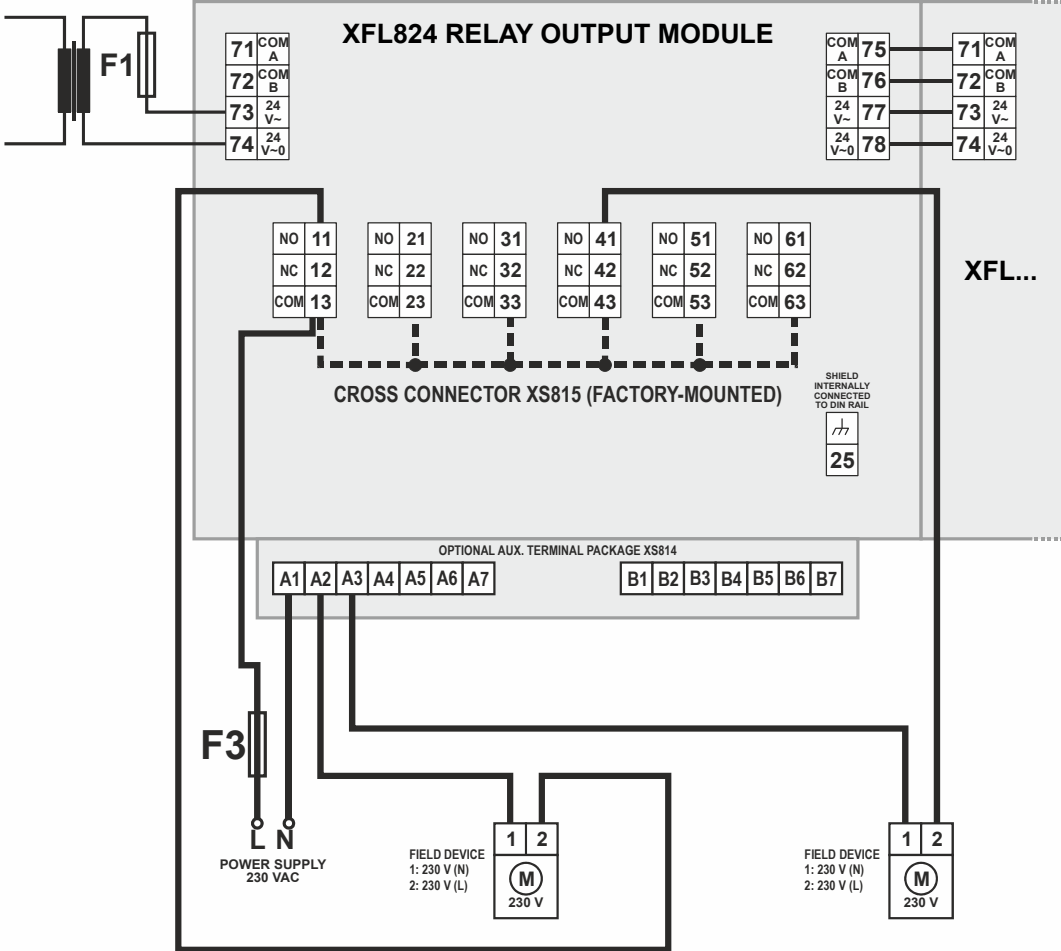


Fig. 20. Terminal assignment and internal connections

Features

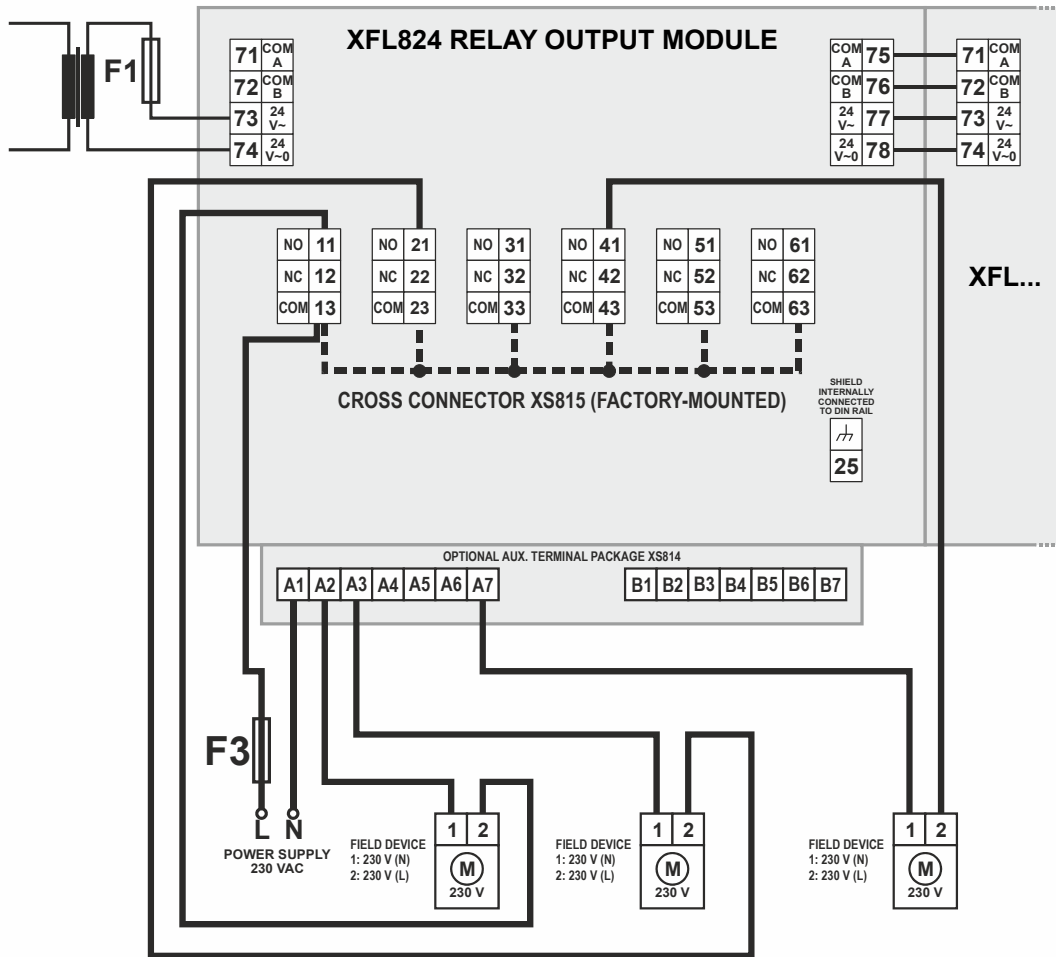
- Cross-Connector
- 1 yellow LED per output
- Optional versions with manual override switches (Auto, 0, 1; LED flashes in override mode)
- Feedback on manual override signal
- Configurable safety position for outputs in case of communications problems (remain, OFF, ON)
- Permissible load per Relay Output Module (total)
 - *Max. load:*
 - 19...250 VAC: 12 A
 - 1...29 VDC: 12 A resistive, 3 A inductive
- Permissible load per normally-open contact:
 - *Max. load:*
 - 19...250 VAC: 4 A resistive or inductive
 - 1...29 VDC: 4 A resistive, 1 A inductive
 - *Min. load:* $P > 50 \text{ mW}$
- Permissible load per normally-closed contact:
 - *Max. load:*
 - 19...250 VAC: 2 A resistive, 1 A inductive
 - 1...29 VDC: 2 A resistive, 1 A inductive
 - *Min. load:* $P > 50 \text{ mW}$



LEGEND :

F1	=	MAX.	4 A
F3	=	MAX.	12 A
THIN LINES	=	MIN.	0.75 mm ²
THICK LINES	=	MIN.	1.5 mm ² - or less, as per F3
DASHED LINES	=	----- / - - - - -	SELECTED INTERNAL CONNECTIONS

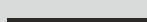
Fig. 21. XFL824 LonWorks Bus RO Module, wiring example 1: Both relay blocks with line voltage

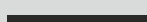


LEGEND :

F1 = MAX. 4 A

F3 = MAX. 12 A

THIN LINES =  = MIN. 0.75 mm²

THICK LINES =  = MIN. 1.5 mm² - or less, as per F3



DASHED LINES =  /  = SELECTED INTERNAL CONNECTIONS

Fig. 22. XFL824 LonWorks Bus RO Module, wiring example 2: Relay blocks with low and line voltage

Approvals, Certifications, and Standards

Approvals and Certifications

- CE-approved
- Conforms to EN 60730-1 and EN 60730-2-9
- Investigated according to United States Standard UL916 (USL-listed) as well as according to Canadian National Standard(s) C22.2 (CNL-listed)

Classification according to EN60730-1

Environmental conditions: For use in home (residential, commercial, and light-industrial) environments

Pollution degree: Class 2

Protection against shock: Class II

Software class: Class A

Overvoltage category: II

Classification according to EN60529

(Degree of Protection Provided by Enclosures)
Classification: IP20

Ambient Environmental Limits

Operating temperature: 0 ... +50 °C at 5...93% r.H.

Storage temperature: -20 ... +70 °C at 5...93% r.H.

Humidity: 5 ... 93% r.h. non-condensing

Current Requirements and Heat Dissipation

The LONWORKS Bus I/O Modules are equipped with highly-efficient switching power supplies which provide for relatively uniform power consumption over a wide range of supply voltages (see Table 6). The specific heat dissipation inside the modules amounts to less than 2 W for all models.

Table 6. Current requirements of LONWORKS Bus I/O modules

devices powered	supply voltage	
	24 VAC	24 VDC
XFL821	130 mA	80 mA
XFL822, XFLR822	150 mA	90 mA
XFL823	180 mA	130 mA
XFL824, XFLR824	140 mA	80 mA

Mechanical

Housing Dimensions (H x W x D)

The LONWORKS Bus I/O Modules (mounted on Terminal Sockets) all have the dimensions: 110 X 90 X 93 mm (see also Fig. 23 on page 18).

Housing Material

Plastic, flame-retardant

Mounting Methods

DIN-rail mounting (e.g., in control cabinet).

Calculated Lifetime of Weakest Components

MTBF \geq 13.7 years (under typical operating conditions)

Dimensions

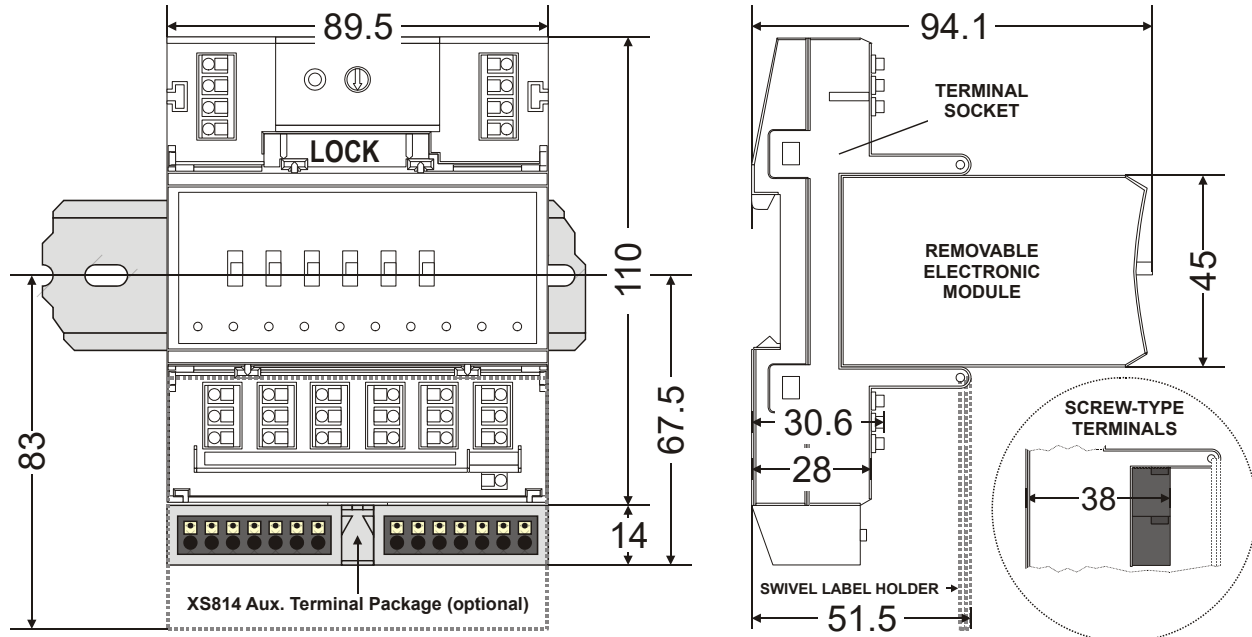


Fig. 23. Honeywell LonWorks Bus I/O Modules (example with manual overrides), incl. terminal socket, dimensions (in mm)



Manufactured for and on behalf of the Environmental & Energy Solutions Division of Honeywell Technologies Sàrl, Rolle, Z.A. La Pièce 16, Switzerland by its Authorized Representative:

Home and Building Technologies

Honeywell GmbH
 Böblinger Strasse 17
 71101 Schönaich, Germany
 Phone +49 (0) 7031 637 01
 Fax +49 (0) 7031 637 740
<http://ecc.emea.honeywell.com>